

R9412717 - R9412721  
R9432717 - R9432721  
R9452717 - R9452721  
R9462717 - R9462721

## MSCT 2

<b>Shower change trolley</b> – Operation and maintenance manual	<b>en</b>
<b>Mobilt bruse-/skifteleje</b> – Brugs- og vedligeholdelsesvejledning	<b>dk</b>
<b>Duschwagen</b> – Gebrauchs- und Pflegeanleitung	<b>de</b>
<b>Chariot de douche et de change</b> – Manuel d'utilisation et d'entretien	<b>fr</b>
<b>Mobiël douchebrancard</b> – Gebruiks- en onderhoudshandleiding	<b>nl</b>
<b>Mobil duschbräts</b> – Bruks- och underhållsanvisning	<b>sv</b>
<b>Mobilt dusjstøllebord</b> – Bruks- og vedlikeholdsanvisning	<b>no</b>
<b>Camilla para ducha/cambio</b> – Instrucciones de uso y mantenimiento	<b>es</b>
<b>Barella per cambio di indumenti e doccia</b> - Manuale d'uso e manutenzione	<b>it</b>
<b>Suihku- ja vaatteiden vaihtovaunu</b> – käyttö- ja huolto-opas	<b>fi</b>
<b>MSCT 1 Wózek toaletowy</b> – Instrukcja obsługi i konserwacji	<b>pl</b>

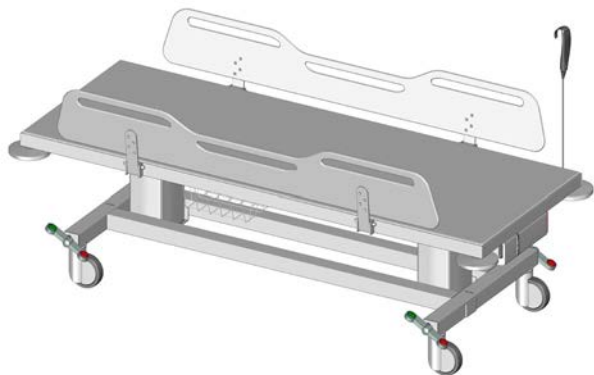


English	10
Dansk	33
Deutsch	56
Français	79
Nederlands	102
Svenska	125
Norsk	148
Español	171
Italiano	194
Suomi	217
Jзык polski	240

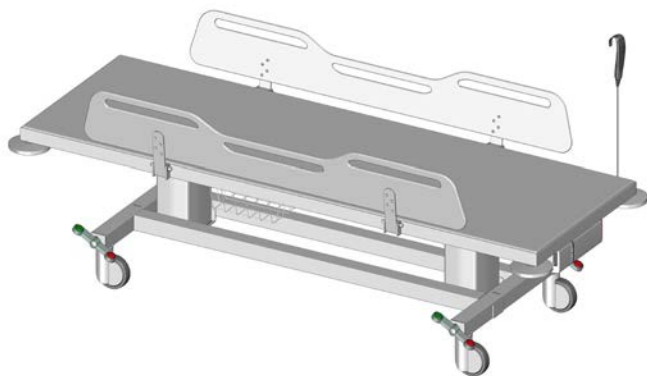


<b>en</b>	The warranty covers faults or defects in the material of our products within a period of 3 years from date of invoice. Products subject to minor technical modifications and design deviations E. & O.E.
<b>dk</b>	Garantien dækker i 3 år fra fakturadato for materiale- og fabriktionsfejl. Der tages forbehold for trykfejl, tekniske ændringer og modelafvigelser.
<b>de</b>	Die Garantie gilt für drei Jahre ab Rechnungsdatum für Material- und Herstellungsfehler. Druckfehler, technische Änderungen und Modellabweichungen vorbehalten.
<b>fr</b>	La garantie couvre les vices de fabrication et de matériaux pour une durée de 3 ans à partir de la date de facturation. Sous réserve de modifications techniques et d'erreurs d'impression.
<b>nl</b>	De garantie is tot 3 jaar na factuurdatum geldig voor materiaal- en fabricagefouten. Onder voorbehoud van drukfouten, technische wijzigingen en modelafwijkingen.
<b>sv</b>	Garantin gäller i 3 år från fakturadatum för material- och fabriktionsfel. Med reservation för tryckfel, tekniska ändringar och modellavvikelser.
<b>no</b>	Garantien gjelder i 3 år fra fakturadato for material- og fabriktionsfeil. Med forbehold for trykfeil, tekniske endringer og modellforskjeller.
<b>es</b>	La garantía cubre fallos de material o fabricación durante los 3 años posteriores a partir de la fecha de factura. Mantenemos reservas en caso de problemas de presión, modificaciones técnicas y variaciones de modelo.
<b>it</b>	La garanzia copre i difetti di materiale o di fabbricazione per un periodo di 3 anni. I prodotti sono soggetti a piccole modifiche tecniche e a variazioni nel design.
<b>fi</b>	Takuu kattaa tuotteidemme materiaali- tai -puutteet 3 vuoden sisällä laskun päiväyksestä. Tuotteisiin voi kohdistua pieniä teknisiä muutoksia ja suunnittelu- poikkeamia (vikoja ja puutteita lukuun ottamatta).
<b>pl</b>	Trzyletnia gwarancja obejmuje usterki oraz wady produkcyjne i materiałowe. Produkty mogą ulec nieznacznym zmianom technicznym i projektowym. Zastrzegamy sobie prawo do błędów i pomini.

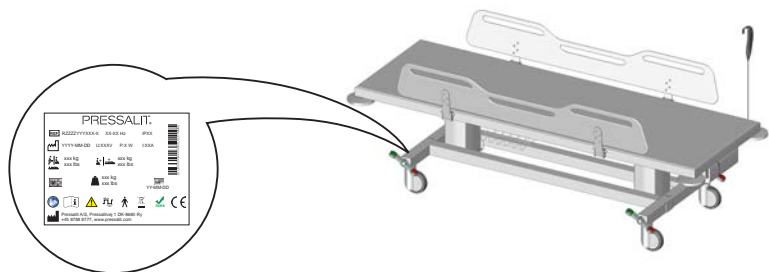
REF

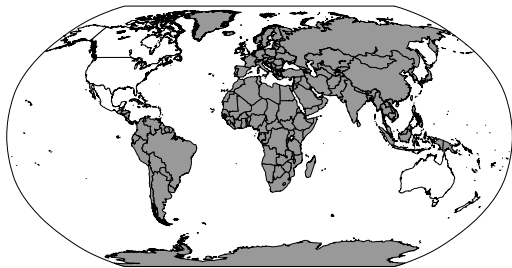


R9414717, R9434717, R9454717, R9464717

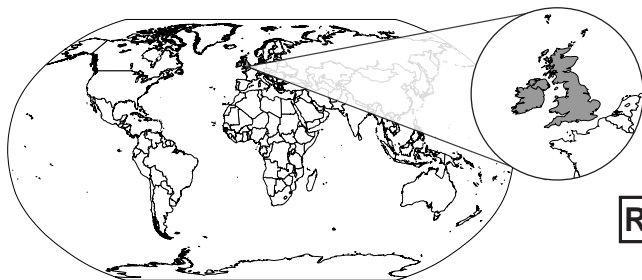


R9414721, R9434721, R9454721, R9464721





**REF** R9432717  
R9432721



**REF** R9452717  
R9452721









**REF** R9414717  
R9414721



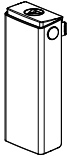
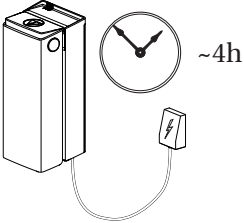
**REF** R9462717  
R9462721

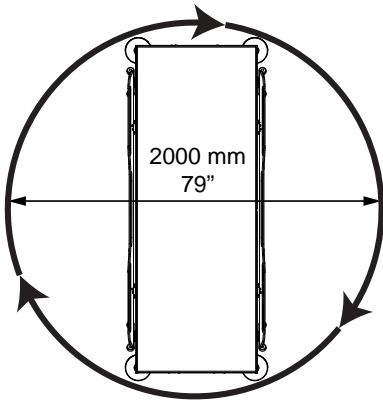
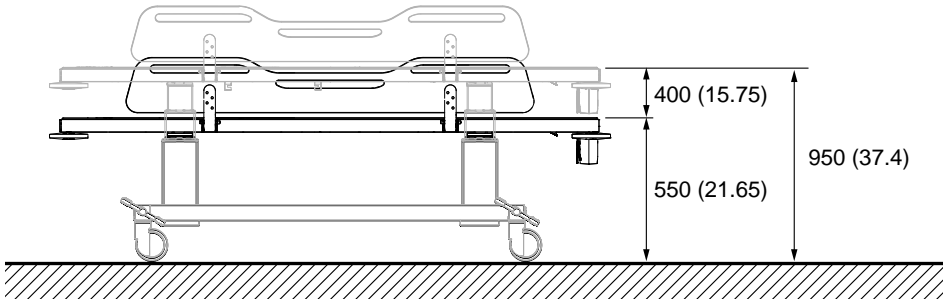


	 	 
R9414717, R9434717, R9454717, R9464717	102 kg / 225 lbs	200 kg / 440 lbs
R9414721, R9434721, R9454721, R9464721	106 kg / 234 lbs	  250kg / 550 lbs

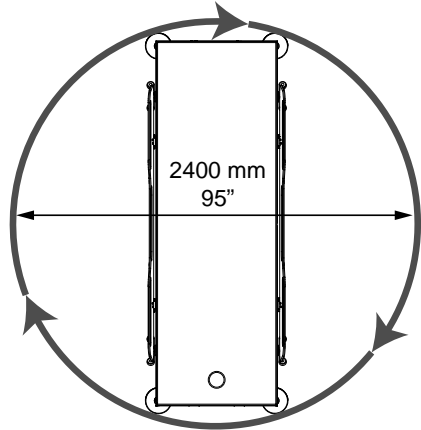


**IPXX**

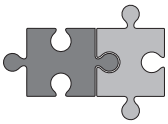
	25,7V 2,85Ah	IPX6
 ~4h	120-240 VAC 50/60 Hz	IPX5



R9414717, R9434717,  
R9454717, R9464717



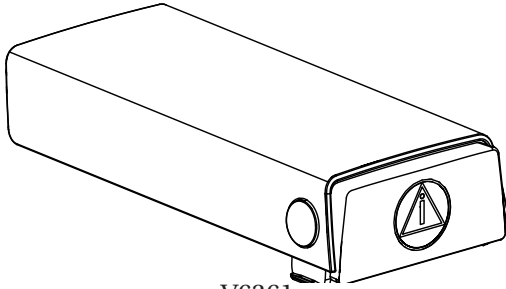
R9414721, R9434721,  
R9454721, R9464721



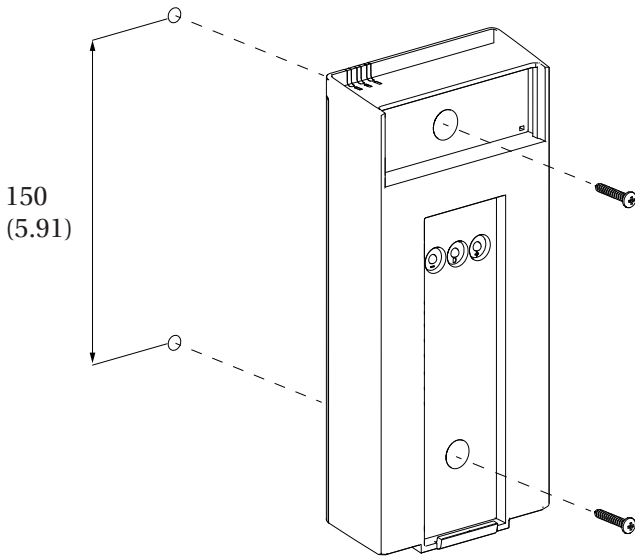
R842717



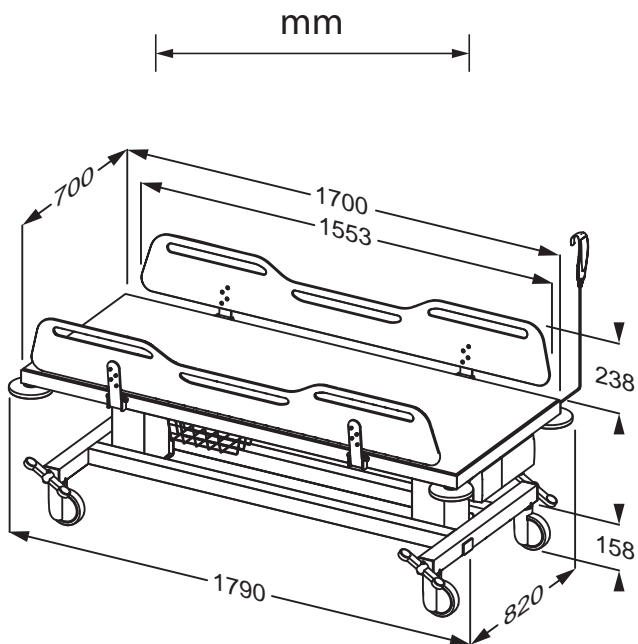
R842721



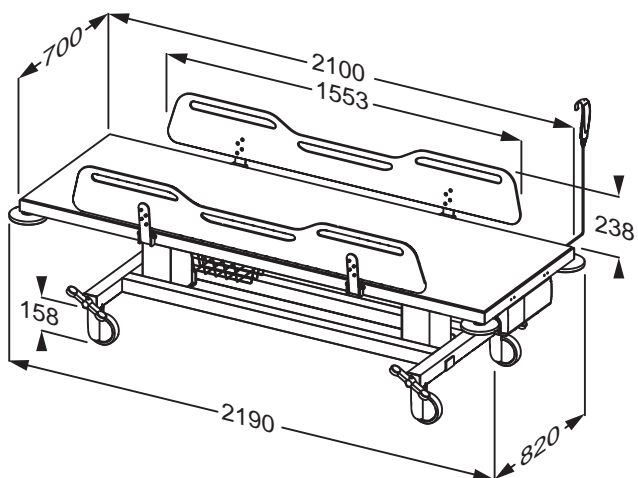
V6361



V6362

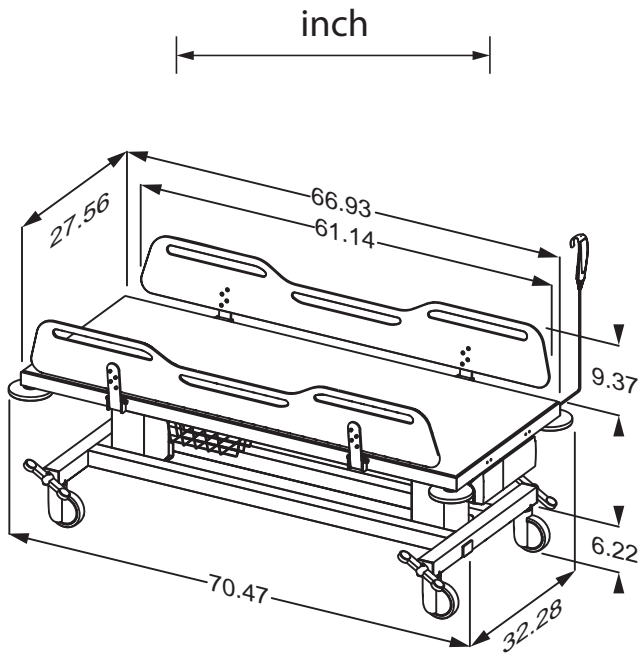


R9432717, R9452717, R9412717, R9462717

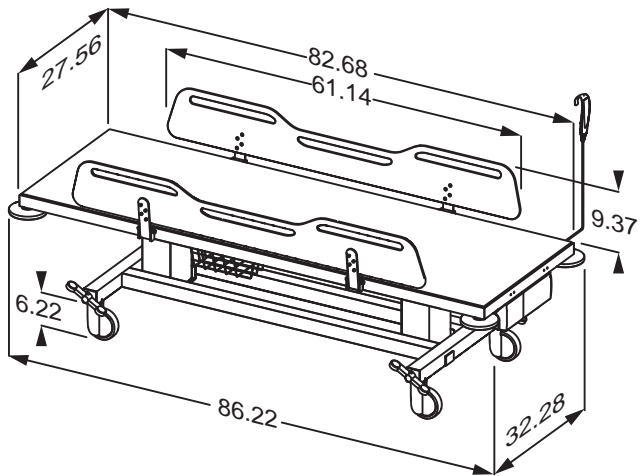


R9432721, R9452721, R9412721, R9462721





R9432717, R9452717, R9412717, R9462717



R9432721, R9452721, R9412721, R9462721

# Content

Symbols used in this manual . . . . .	11
General safety . . . . .	13
Safety distances . . . . .	14
Intended use . . . . .	16
Intended operator profile . . . . .	16
Intended user profile . . . . .	16
Operating environment . . . . .	16
Contraindications for use . . . . .	17
Biocompatibility . . . . .	17
Flammability . . . . .	17
Operating instructions . . . . .	18
Safety brakes . . . . .	18
Side supports . . . . .	19
Height adjustment . . . . .	20
Resetting . . . . .	20
Emergency stop . . . . .	21
Releasing the emergency stop . . . . .	21
Charging the battery . . . . .	22
Charging LED indicators . . . . .	23
Accessories . . . . .	24
Mattress . . . . .	24
Cleaning . . . . .	25
Electromagnetic compatibility . . . . .	26
Electromagnetic emissions . . . . .	26
Electromagnetic immunity . . . . .	27
Product label . . . . .	28
Storage and transportation . . . . .	30
Troubleshooting . . . . .	30
System LED indicators . . . . .	31
Disposal and recycling . . . . .	32

# Symbols used in this manual

The following symbols are used in this manual as well as the associated documentation supplied with the product.



**WARNING** indicates a potentially hazardous situation which, if not avoided, could result in death or serious injury.



**CAUTION** indicates a potentially hazardous situation which, if not avoided, may result in minor or moderate injury. It may also be used to alert against unsafe practices.



**IMPORTANT** indicates important information about handling and use of the product.



**NOTICE** is used to address practices not related to personal safety.



Head injury warning



Hand injury warning



Genitalia injury warning



Feet injury warning



Do not leave the patient unattended.



Compatible products



Spare parts



Max. user weight



Article number/ versions



Product weight



Electrical data

en

# General safety

## **WARNING**

- Read and understand the manual completely before use. Keep the manual close to the unit.
- Comply with this manual to avoid accidents involving serious personal injury.
- Never use or handle this product in other ways than specified in this manual, as this can put your safety at risk and cause damage to the product.
- Make sure that everyone who is to install or use the product and its systems has the necessary information and access to this manual.

## **CAUTION**

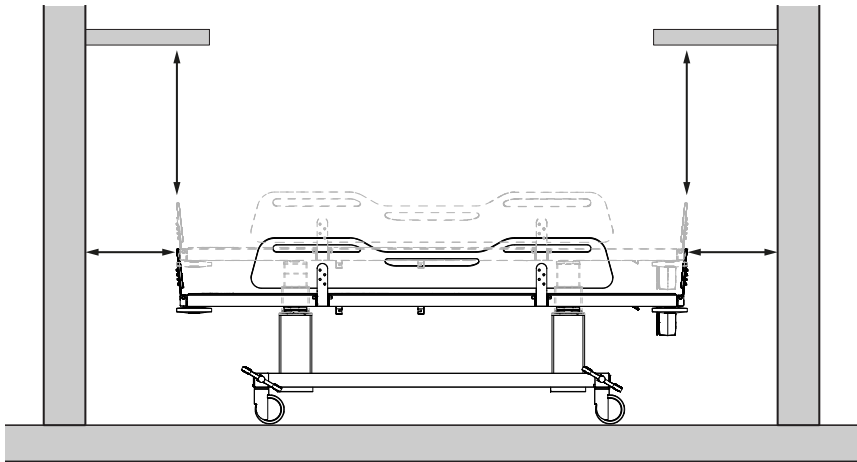
- Please comply with these instructions to avoid the product becoming damaged or destroyed.
- Do not perform repairs, disassembly, or assembly operations, extensions, re-adjustments or modifications to this product. These must be carried out by Pressalit or by persons authorized by Pressalit only.
- Never allow children to operate this product unless under supervision. The product is not intended for play.
- Never use the product if it is defective or damaged. Do not use a defective product before it has been repaired.

## **NOTICE**







- The information in this manual is based on correct fitting of the product in accordance with our mounting instruction.
- Pressalit cannot be held liable if the product is used in any way which differs from that described in the guide.
- We reserve the right to amend this manual without prior notice.

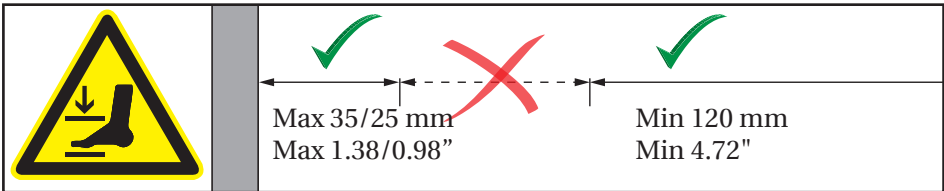
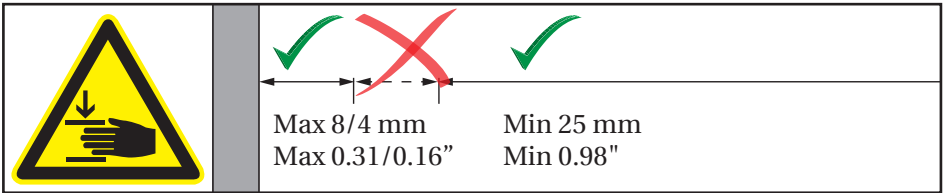
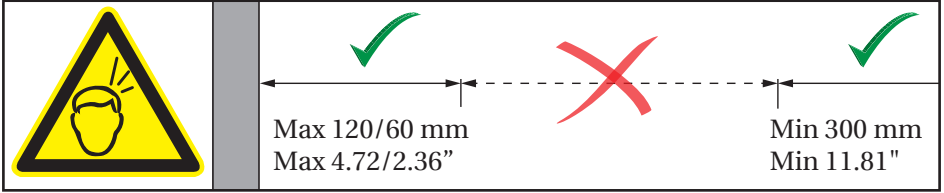
# Safety distances

Make sure that the unit is at safe distance from surrounding objects. Check the distances before any use.



en

ISO 17966:2016		
	Max 120 mm (4.72") Min 300 mm (11.81")	Max 60 mm (2.36") Min 300 mm (11.81")
	Max 8 mm (0.31") Min 25 mm (0.98")	Max 4 mm (0.16") Min 25 mm (0.98")
	Max 8 mm (0.31") Min 75 mm (2.95")	Max 8 mm (0.31") Min 75 mm (2.95")
	Max 35 mm (1.38") Min 120 mm (4.72")	Max 25 mm (0.98") Min 120 mm (4.72")



 **WARNING**

If the unit moves within the safety distances, you must keep an especially close eye on surrounding people and objects to avoid crushing hazards.

en

## Intended use

This product is intended for changing a person who is unable to stand or sit. The person is lying horizontally on the change trolley.

## Intended operator profile

Only personnel who are trained in healthcare and/or in changing someone under their care should use this product.

## Intended user profile

The product can be used by all – adults, children, young, old, whose weight does not exceed the **maximum load of 200 kg / 440 lbs.**

## Operating environment

The change trolley is intended to be used at room temperature in public changing places, schools, private homes, day/residential/nursing facilities and hospitals under normal working conditions.

The change trolley may be used dry rooms and not as a shower table in showers. If the relative humidity is above 70%, the expected life of the unit will be significantly reduced. The change trolley must not be exposed to chlorine-containing fumes.



The product surface may become hot or cold if exposed to external sources of heat or cold, such as sunlight or frost.

## NOTICE

Any serious incident that has occurred in relation to the product should be reported to the manufacturer and the health authorities.

A serious incident is defined as an incident that leads to the death of a patient, user, or any other person, or causes a temporary or permanent deterioration in the person's health. Any incident that has resulted in or has the potential to result in a serious incident must be reported.



## **Contraindications for use**

It is not recommended that pregnant women are bathed in the shower change trolley.

It is not recommended that patients with infusion or insulin pump, inflammatory skin diseases or patients in feverish conditions are bathed in the shower change trolley.

Patients with cardiac insufficiency, cardiovascular diseases, craniocerebral injury, open wounds, feed or drain lines (e.g. catheter, drainage tube) may be bathed in the shower change trolley only after consulting with the attending physician.

Do not use if the patient's weight exceeds 200 kg / 440 lbs.

## **Biocompatibility**

The materials in contact with the skin of the patient or the user during the changing procedure, have been tested for their content of harmful substances according to ISO 10993 Biocompatibility, and are therefore considered suitable for this purpose.

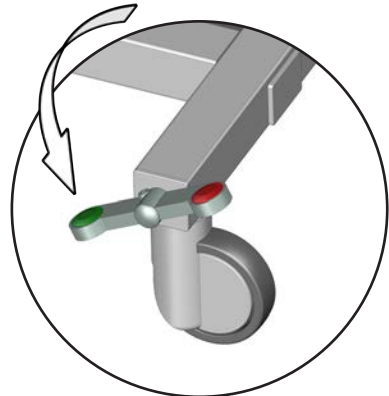
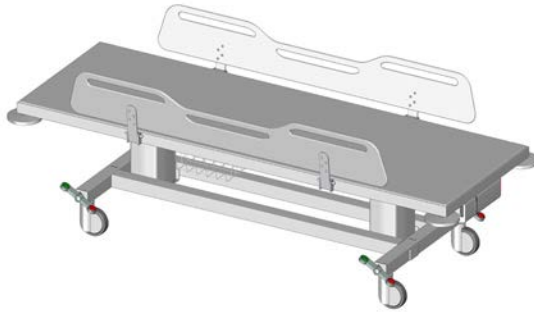
## **Flammability**

The product materials have undergone flammability testing in accordance with ISO 8191-1:1987 and ISO 8191-2:1988.

# Operating instructions

## Safety brakes

The change trolley is equipped with safety brakes on all four castor wheels to ensure that it will not move unintentionally.



**To lock the brakes:** Step on the red button on one of the four rocker pedals to lock the brakes on all four wheels.

**To unlock the brakes:** Step on the green button on one of the four rocker pedals to unlock the brakes on all four wheels.



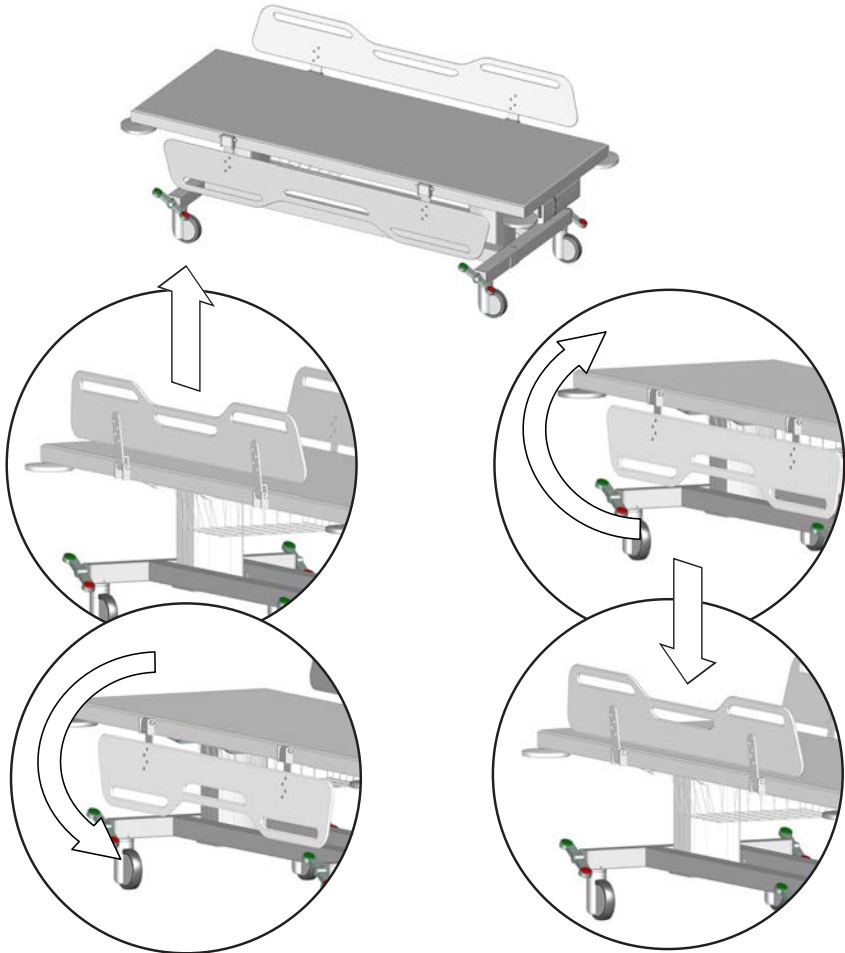
Always ensure that the brakes are locked when transferring a patient to and from the change trolley.



**Do not leave the patient unattended.**

## Side supports

The side supports can be folded up and down individually for easy transfer of the patient.



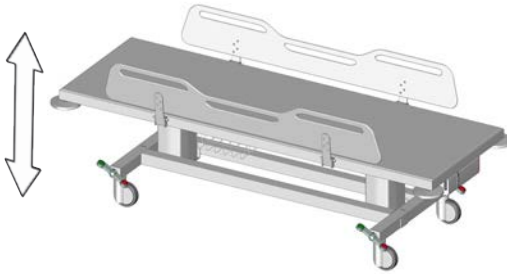
**To fold down:** Lift the side support upwards to unlock it, and swing it down.

**To fold up:** Swing the side support up and push it down to lock it in place.



When the trolley is in use, make sure that all side supports are erect and in locked position to protect the patient from falling out of the unit.

## Height adjustment





The change trolley can be adjusted 400 mm / 15¾" up and down.

**Max user weight:  
200 kg / 440 lbs**


**Max load:  
250 kg / 550 lbs**


The height adjustment is controlled by the wired remote control unit.



	Press and hold the Up button to raise the unit. When the button is released, the motion stops.
	Press and hold the Down button to lower the unit. When the button is released, the motion stops.

en



	<b>To avoid the risk of strangulation, make sure that the wired remote control is placed in its holder when not in use.</b>
---	---

			<b>Take care to avoid injury to hands, feet and head when in the vicinity of moving mechanical parts.</b>
--	--	--	---

## Resetting

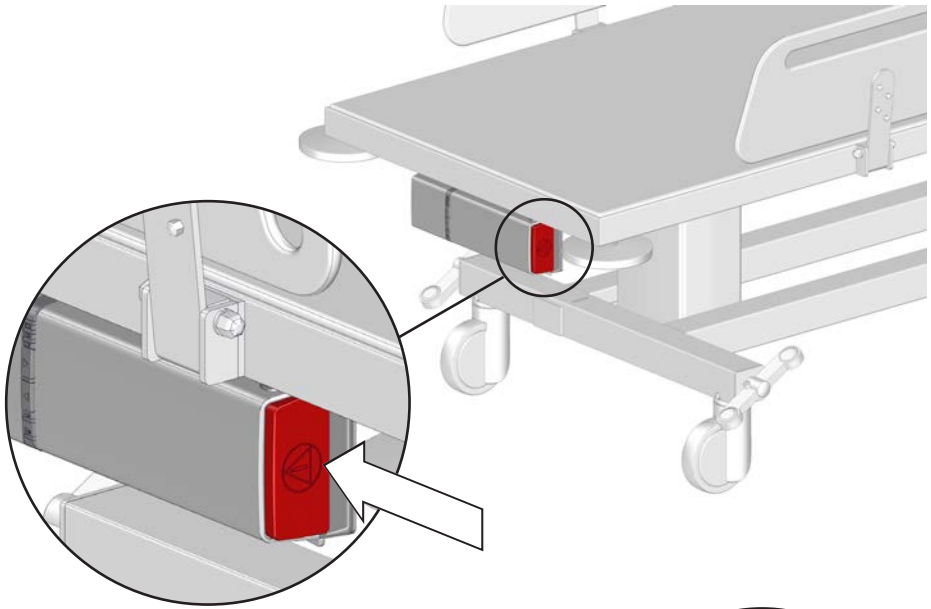
If the lifting function does not work properly or if the two lifting columns are out of sync, try resetting the lifting system.



	Press and hold the up button and the down button simultaneously. The columns will move down after a few seconds while a beep tone is heard.
	Keep holding both buttons until the beep tone disappears. The lifting columns are now reset.

## Emergency stop

In case of an emergency, push the emergency stop on the battery. The upward or downward movement will stop immediately.



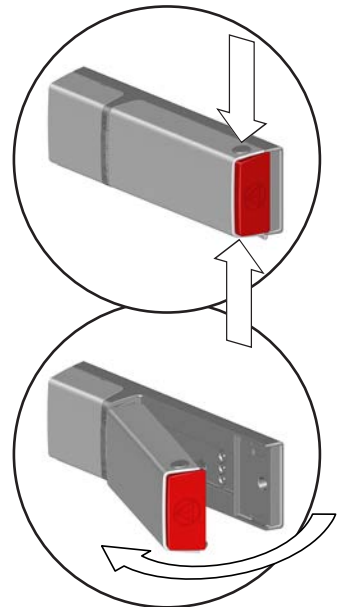
en

## Releasing the emergency stop

Push the two release buttons to remove the battery.

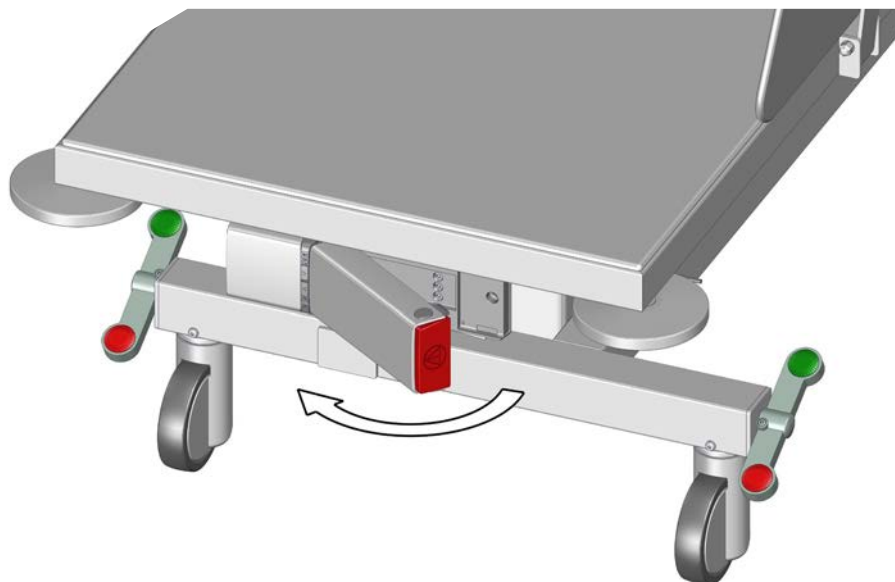
Reattach the battery again. Make sure the battery lock clicks into place.

The emergency stop is now released.

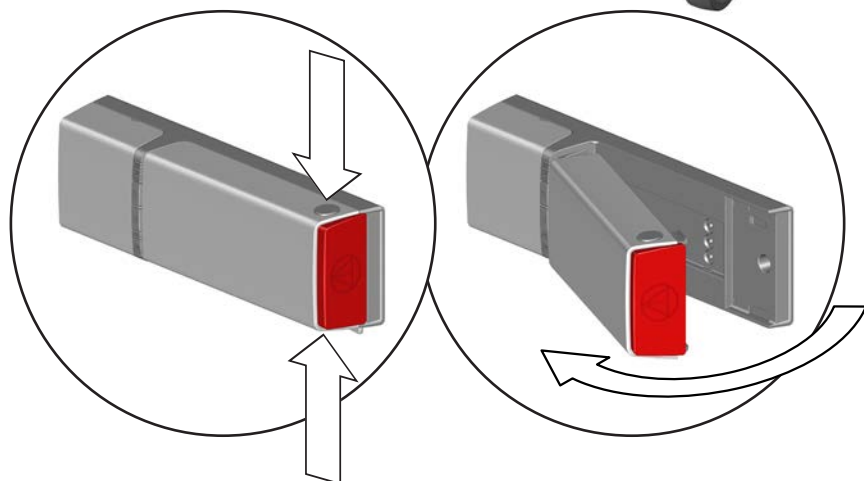


## Charging the battery

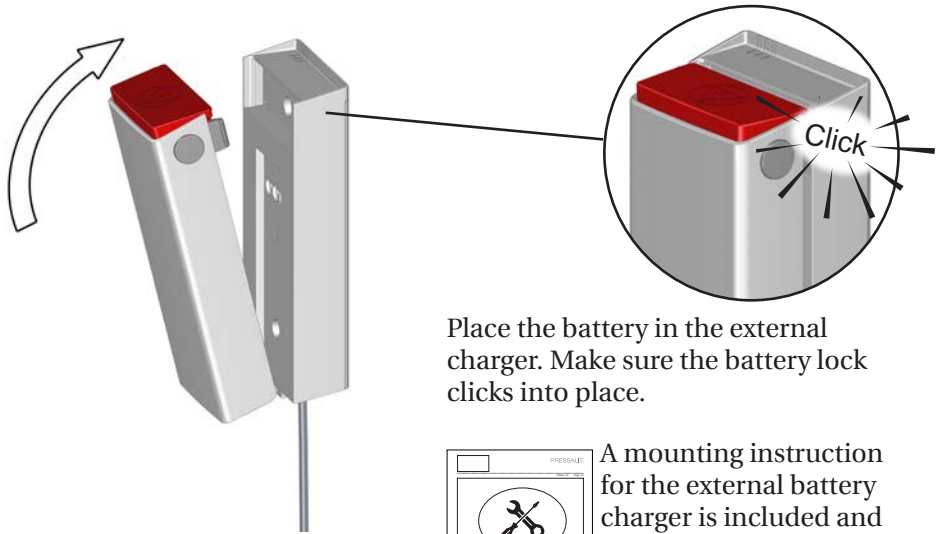
The battery can height adjust the shower change trolley up to 30 times when fully charged.



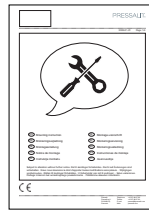
en



Push the two release buttons to remove the battery for charging in the external charger.



Place the battery in the external charger. Make sure the battery lock clicks into place.

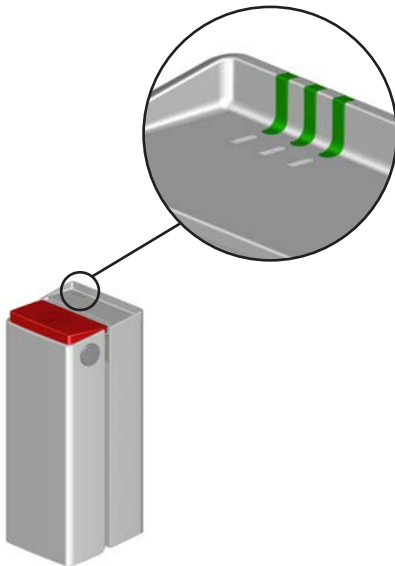


A mounting instruction for the external battery charger is included and can also be downloaded from [pressalit.com](http://pressalit.com).

en

## Charging LED indicators

The three LEDs on the external charger show the battery charging status.

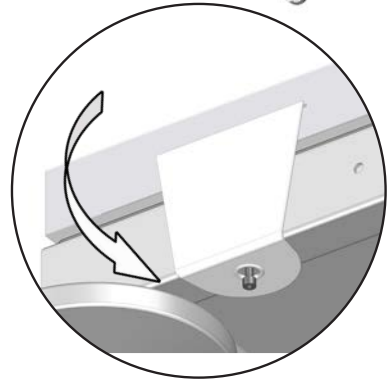
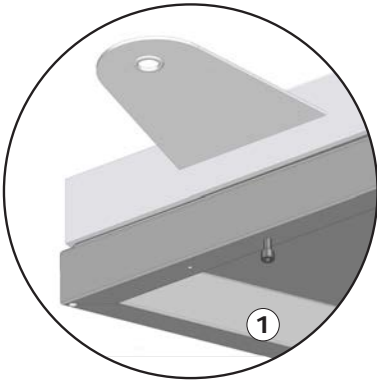
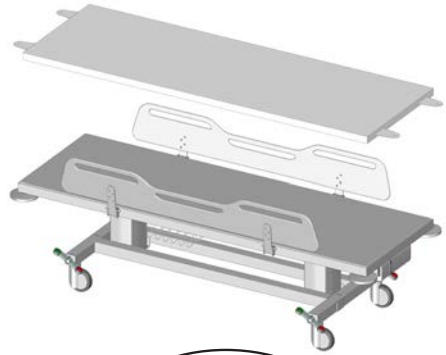


	<b>Charging status</b>
	90-100%
	65-90%
	40-65%
	0-40%
	Charging stopped due to low battery temperature, high battery temperature or other error conditions
	Charging stopped due to lost communication with battery

# Accessories

## Mattress

The optional mattress can be placed on the change trolley for optimal comfort. Both sides of the mattress can be used, as it is reversible.



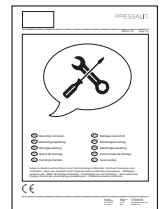
en

Unscrew the locking screw for the mattress ① approximately one centimeter.

Pull the mattress flap down over the screw. Do the same with all four flaps.

The product is to be cleaned with hot water or a mild soapy cleaning agent. A list of suitable cleaning agents/ disinfectants tested by Pressalit can be found on [pressalit.com](http://pressalit.com).

A mounting instruction is included with the mattress, and can also be downloaded from [pressalit.com](http://pressalit.com).



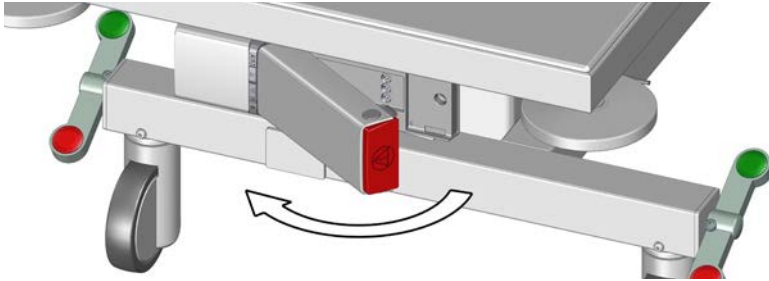
## IMPORTANT

To maintain hygiene, it is recommended to check for any visible damages or signs of wear and tear on the mattress regularly. If any damages are found, it should be replaced immediately to prevent any risk of contamination or infection.



# Cleaning

Remove the battery before cleaning the shower change trolley.



The product is to be cleaned with hot water or a mild soapy cleaning agent. To see which cleaning products have been tested and approved by Pressalit for the specific product, please visit [Pressalit.com](http://Pressalit.com) and refer to the product's item number. Pressalit recommends cleaning the product after installation.

## CAUTION

Always read the material safety data sheet (MSDS) and supplied instructions of the cleaning, disinfecting or de-scaling agent and comply with instructions for safe use, dilution, rinsing, drying, handling and storage of the agent.

## IMPORTANT

- Do not use an autoclave or other type of steam cleaner.
- Avoid aggressive cleaning agents containing acids.
- Never spray the product directly with a high pressure cleaner.
- For surface disinfection, chlorine-based disinfectants may be used according to the product specification and safety precautions for these products.

## CAUTION

Do not perform any type of cleaning or disinfection of the shower change trolley while the patient is lying on it.

en

# Electromagnetic compatibility



- Use of accessories, transducers and cables other than those specified or provided by the manufacturer could result in increased electromagnetic emissions or decreased electromagnetic immunity of this equipment and result in improper function.
- Portable RF communications equipment (including peripherals such as antenna cables and external antennas) should be used no closer than 30 cm (12 inches) to any part of the unit, including its cables, to avoid any degradation of the performance of this unit.
- Use of this equipment adjacent to or stacked with other equipment should be voided because it could result in improper operation. If such use is necessary, this equipment and the other equipment should be observed to verify that they are operating normally.

en

## Electromagnetic emissions

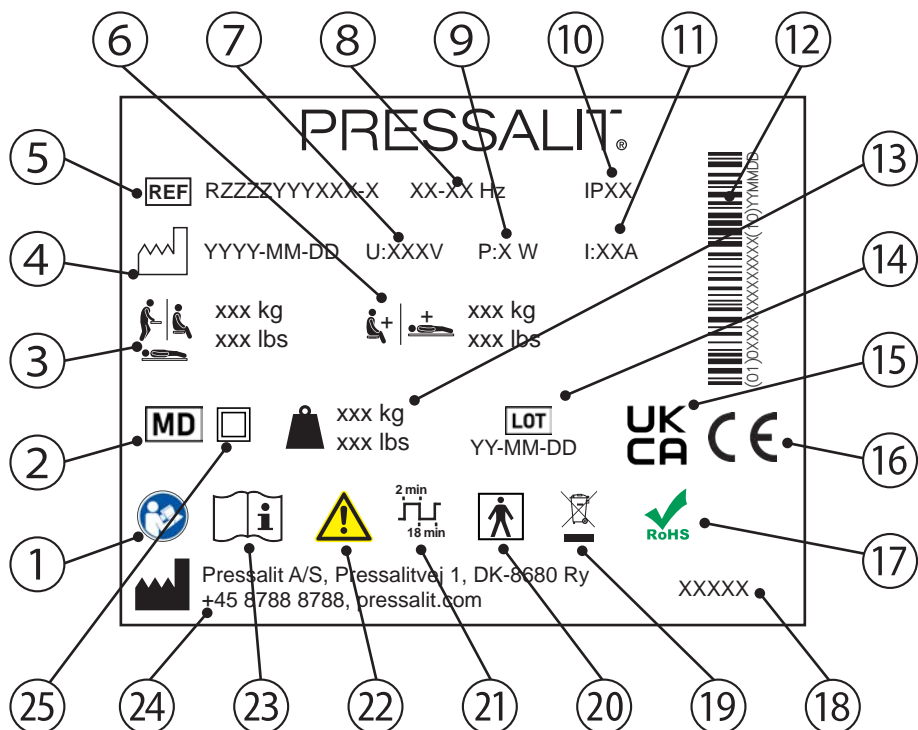
<b>Test standard</b>	<b>Test level / details</b>	<b>Test results</b>
60601-1-2 ch. 7.1.7 - CISPR 14	30MHz – 1GHz	Passed

## Electromagnetic immunity

Test standard	Compliance level	Test level / details	Test results
EN60601-1-2 and EN17966 (Home healthcare environment)	=> 10V/m 2,7GHz	15V/m Frequency range: 80MHz - 6GHz 1% step size	Passed
EN60601-1-2 (Proximity fields from RF wireless communications equipment)	=> 10V/m 2,7GHz	15V/m Frequency range: 385 - 5785 MHz	Passed
IEC 61000-4-4 (Electrical fast transients / bursts)		Quick pulse simulation	Passed
Conducted disturbances induced by RF	Pulse subjection, 6V	Pulse subjection, 10V	Passed
Electrostatic discharge		Statically charged person discharge on unit, 8kV and 15kV	Passed (*)

\* If a statically charged person discharges on or near the shower trolley control box, a fault may occur in the lifting columns, and a reset must be performed. See "**Resetting**".

# Product label



- ① Consult manual for use

---

- ② Medical device

---

- ③ Maximum user weight

---

- ④ Production date

---

- ⑤ Article number

---

- ⑥ Max load

---

- ⑦ Mains voltage

---

- ⑧ Frequency

---

- ⑨ Maximum power consumption

⑩ IP class

---

⑪ Electric Current

---

⑫ GS1-128 barcode

---

⑬ Product weight

---

⑭ Batch code

---

⑮ UK Conformity Assessed

---

These products are CE-marked in accordance with relevant requirements in:

- ⑯
- Regulation (EU) 2017/745 (5 April 2017) on medical devices.
  - Council Directive 2006/42/EC (of 17 May 2006) on machinery.
  - Council Directive 2011/65/EC (of 8 June 2011) on RoHS.

A declaration of conformity can be found at [pressalit.com](http://pressalit.com)

---

⑰ This product does not contain any of the hazardous substances mentioned in the Council Directive 2011/65/EC on RoHS.

---

⑱ Product name (if any)

---

⑲ Do not dispose as unsorted municipal waste. The product should be collected separately and returned to the designated recycling service.

---

⑳ Type BF applied part Part of the product in normal use necessarily comes into physical contact with the patient to perform its function  
The product complies with requirements of IEC 60601-1 to provide protection against electric shock

---

㉑ Duty cycle

---

㉒ Consult the manual for important cautionary information such as warnings and precautions

---

㉓ Consult manual for use

---

㉔ Name and address of manufacturer

---

㉕ Class II Product, double insulated

---

# Storage and transportation

- The temperature for transportation and storage of the unit must be between 5 and 40 degrees Celsius.
- The unit must always be transported in its original packaging.
- Avoid subjecting the packaging to shocks and impacts.
- Do not use the product if the packaging is broken or damaged.

# Troubleshooting

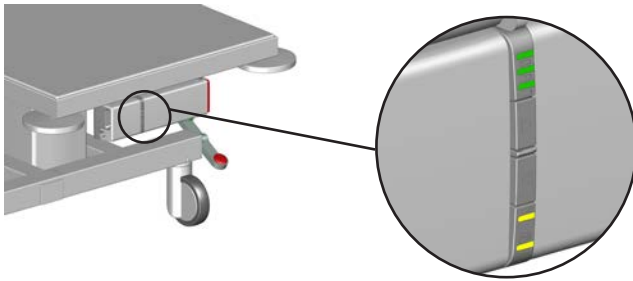
Symptom	Cause	Action
No power.	Battery depleted.	Recharge the battery. See " <b>Charging the battery</b> ".
The change trolley is skewed.	The lifting columns are out of sync.	Reset the lifting columns. See " <b>Resetting</b> ".
The trolley cannot be raised or lowered.	If a statically charged person discharges near the trolley control box, a fault may occur in the lifting columns.	Reset the lifting columns. See " <b>Resetting</b> ".






Contact Pressalit A/S or your local dealer if the problem cannot be remedied. Do not attempt to repair the product yourself, as this will invalidate the guarantee.

Expected service life of the change trolley is 10 years.

## System LED indicators

The two yellow LEDs on the internal charger show the system status.



LEDs	Cause	Status	Action
	Emergency stop activated	The unit cannot be raised or lowered	Release the emergency stop. See " <b>Releasing the emergency stop</b> "
	System error	The unit cannot be raised or lowered	Reset the lifting columns. See " <b>Resetting</b> "
	Unit overloaded	The unit cannot be raised or lowered	Reduce the load
	Duty cycle guard	The unit cannot be raised or lowered	Wait until the unit is ready
	Service needed	The unit is still functioning	Contact Pressalit A/S or your local dealer

en

# Disposal and recycling

The unit contains reusable materials. There are no known hazards or risks associated with disposal of the product. All components can be discarded after having been cleaned and disinfected.

When disposing of the product, we recommend that it be disassembled and broken down into different waste groups for recycling or combustion.

The following table provides information on the recycling and handling of the product.

<b>Recyclable components</b>	<b>Material</b>
Steel	Steel can be recycled by being melted down and included as a secondary material in the production of new steel.
Plastics	Use plastic sorting and recycling systems where they are locally available, otherwise incinerating plastic has the added benefit of generating energy which can be used for, for example, combined heat and power production.
Electronics	The electronic components should be collected separately and returned to the designated recycling service.

en



# Indhold

Symboler, der er anvendt i denne vejledning	34
Generel sikkerhed	36
Sikkerhedsafstande	37
Tilsigtet brug	39
Tilsigtet personaleprofil	39
Tilsigtet brugerprofil	39
Betjeningsmiljø	39
Kontraindikationer for brug	40
Biokompatibilitet	40
Brændbarhed	40
Betjeningsinstruktioner	41
Sikkerhedsbremser	41
Sidestøtter	42
Højderegulering	43
Nulstilling	43
Nødstop	44
Annullering af nødstoppet	44
Opladning af batteriet	45
LED-indikatorer for opladning	46
Tilbehør	47
Madras	47
Rengøring	48
Elektromagnetisk kompatibilitet	49
Elektromagnetiske emissioner	49
Elektromagnetisk immunitet	50
Produktmærkning	51
Opbevaring og transport	53
Fejlfinding	53
LED-indikatorer for system	54
Bortskaffelse og genbrug	55

# Symboler, der er anvendt i denne vejledning

Følgende symboler er anvendt i denne vejledning og i den tilhørende dokumentation, der følger med produktet.



**ADVARSEL** angiver en potentielt farlig situation, som, hvis den ikke undgås, kan medføre dødsfald eller alvorlig personskade.



**FORSIGTIG** angiver en potentielt farlig situation, som, hvis den ikke undgås, kan medføre større eller mindre personskade. Det kan også bruges til at advare om usikre fremgangsmåder.



**VIGTIGT** angiver vigtige oplysninger om håndtering og anvendelse af produktet.



**BEMÆRK** vedrører fremgangsmåder, der ikke er forbundet med personlig sikkerhed.



Advarsel om hovedskade



Advarsel om håndskade



Advarsel om skade på kønsdelene



Advarsel om fodskade



Patienten må ikke være uovervåget.



Kompatible produkter



Reservedele



Maks. brugervægt



Produktnummer/-versioner



Produktvægt



Data angående elektricitet

## Generel sikkerhed

### **ADVARSEL**

- Læs og forstå hele vejledningen før brug. Opbevar vejledningen tæt på produktet.
- Følg denne vejledning for at undgå uheld og alvorlig personskade.
- Dette produkt må aldrig bruges eller håndteres på anden måde end som angivet i denne vejledning, da dette vil kunne udgøre en risiko for din sikkerhed og beskadige produktet.
- Sørg for, at alle, der installerer eller bruger dette produkt og dets systemer, har de nødvendige oplysninger samt adgang til denne vejledning.

### **FORSIGTIG**

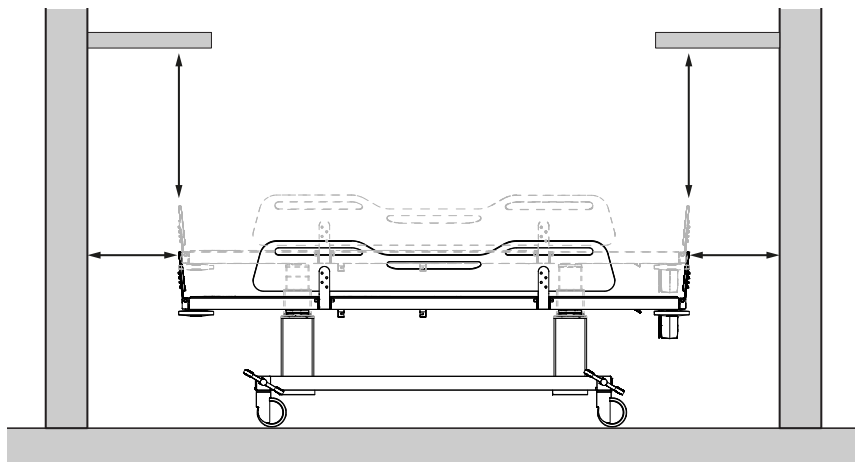
- Følg disse instruktioner for at undgå, at produktet beskadiges eller ødelægges.
- Der må ikke foretages reparationer, demontering, samlinger, udvidelser, tilpasninger eller ændringer på dette produkt. Dette må kun udføres af Pressalit eller af personer, som er autoriseret af Pressalit.
- Lad ikke børn betjene dette produkt uden opsyn. Produktet er ikke beregnet til leg.
- Produktet må ikke benyttes, hvis det er defekt eller beskadiget. Et defekt produkt må ikke anvendes, før det er repareret.







### **BEMÆRK**

- Oplysningerne i denne vejledning er baseret på korrekt justering af produktet i overensstemmelse med vores monteringsvejledning.
- Pressalit kan ikke holdes ansvarlig, hvis produktet bruges på andre måder end som beskrevet i vejledningen.
- Vi forbeholder os ret til at ændre denne vejledning uden forudgående varsel.

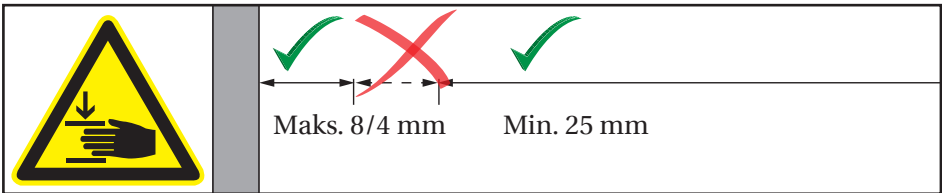
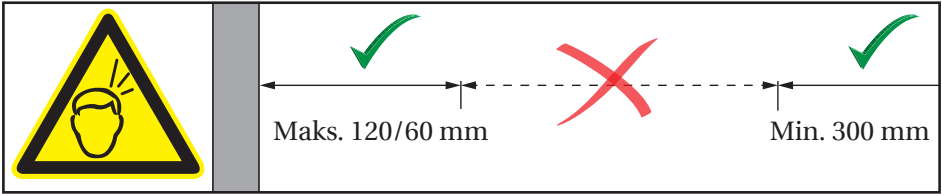
# Sikkerhedsafstande

Sørg for, at lejet er placeret i en sikker afstand fra omgivende genstande. Kontrollér afstandene før hver brug.

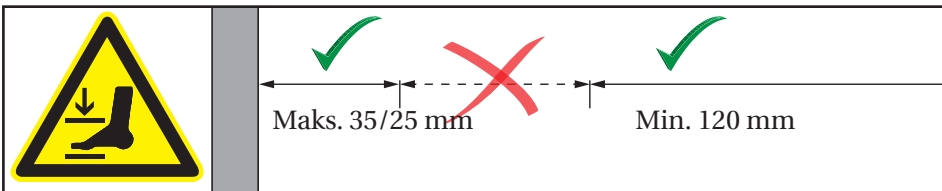
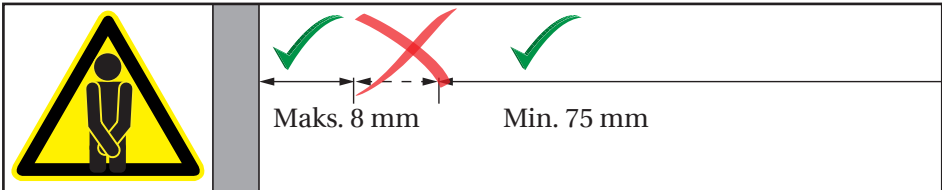


ISO 17966:2016		
	Maks. 120 mm Min. 300 mm	Maks. 60 mm Min. 300 mm
	Maks. 8 mm Min. 25 mm	Maks. 4 mm Min. 25 mm
	Maks. 8 mm Min. 75 mm	Maks. 8 mm Min. 75 mm
	Maks. 35 mm Min. 120 mm	Maks. 25 mm Min. 120 mm

dk



dk



 **ADVARSEL**

Hvis enheden bevæges inden for sikkerhedsafstandene, skal du være ekstra opmærksom på personer og genstande omkring enheden for at undgå knusningsfarer.

## Tilsigtet brug

Dette produkt er beregnet til at skifte en person, som ikke kan stå op eller sidde ned. Personen ligger vandret på det mobile skifteleje.

## Tilsigtet personaleprofil

Kun personale, der er uddannet inden for sundhedsplejen og/eller i at skifte en person, må bruge dette produkt.

## Tilsigtet brugerprofil

Produktet kan anvendes af alle – voksne, børn, unge og gamle, hvis vægt ikke overstiger den **maksimal belastning på 200 kg**.

## Betjeningsmiljø

Det mobile skifteleje er beregnet til anvendelse ved stuetemperatur, på skiftsteder i offentligt regi, på skoler, i private hjem, i daginstitutioner/døgntilbud/på plejehjem og hospitaler under normale arbejdsforhold. Det mobile skifteleje kan bruges i tørre rum men ikke som et bruseleje til bad. Hvis den relative luftfugtighed er over 70 %, bliver den forventede levetid for enheden væsentligt reduceret. Det mobile skifteleje må ikke udsættes for klorholdige dampe.

dk



Produktets overflade kan blive varm eller kold, hvis den udsættes for eksterne varme- eller kuldekilder som f.eks. sollys eller frost.

## BEMÆRK

Enhver alvorlig hændelse, der opstår i relation til produktet, skal rapporteres til producenten og sundhedsmyndighederne.

En alvorlig hændelse defineres som en hændelse, der medfører døden for en patient, bruger eller en anden person, eller som forårsager en midlertidig eller permanent forringelse af personens helbred. En hændelse, der medførte eller potentielt kan medføre en alvorlig hændelse, skal rapporteres.

## Kontraindikationer for brug

Det anbefales ikke at bruge det mobile bruse-/skifteleje til vask af gravide kvinder.

Det anbefales ikke at bruge det mobile bruse-/skifteleje til vask af patienter med infusions- eller insulinpumpe, sygdomme med hudbetændelse eller patienter med feberlidelser.

Man kan eventuelt vaske patienter med hjerteinsufficiens, hjertekarsygdomme, kraniocerebral skade, åbne sår, tilførsels- eller udtagslanger (f.eks. kateter, drænageslange) med det mobile bruse-/skifteleje, men kun efter rådføring med den behandlende læge.

Må ikke bruges, hvis patientens vægt overstiger 200 kg.

## Biokompatibilitet

De materialer, der kommer i kontakt med patientens eller brugerens hud under skifteproceduren, er blevet testet for deres indhold af skadelige stoffer i henhold til ISO 10993 om biokompatibilitet og anses derfor for at være passende til dette formål.

dk

## Brændbarhed

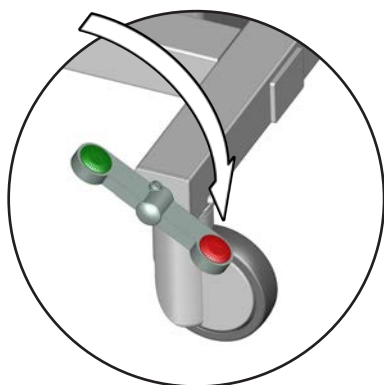
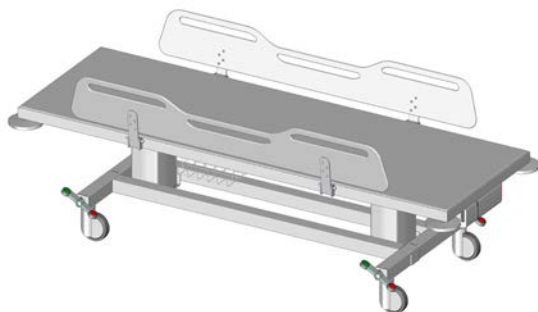
Produktets materialer har gennemgået en brændbarhedstest i henhold til ISO 8191-1:1987 og ISO 8191-2:1988.



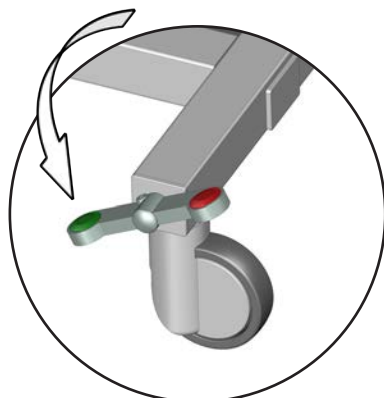
# Betjeningsinstruktioner

## Sikkerhedsbremser

Det mobile skifteleje er udstyret med sikkerhedsbremser på alle fire styrehjul for at sikre, at det ikke bevæger sig utilsigtet.



**Sådan låses bremserne:** Træd på den røde knap på en af de fire vippepedaler for at låse bremserne på alle fire hjul.



**Sådan låses bremserne op:** Træd på den grønne knap på en af de fire vippepedaler for at låse bremserne op på alle fire hjul.



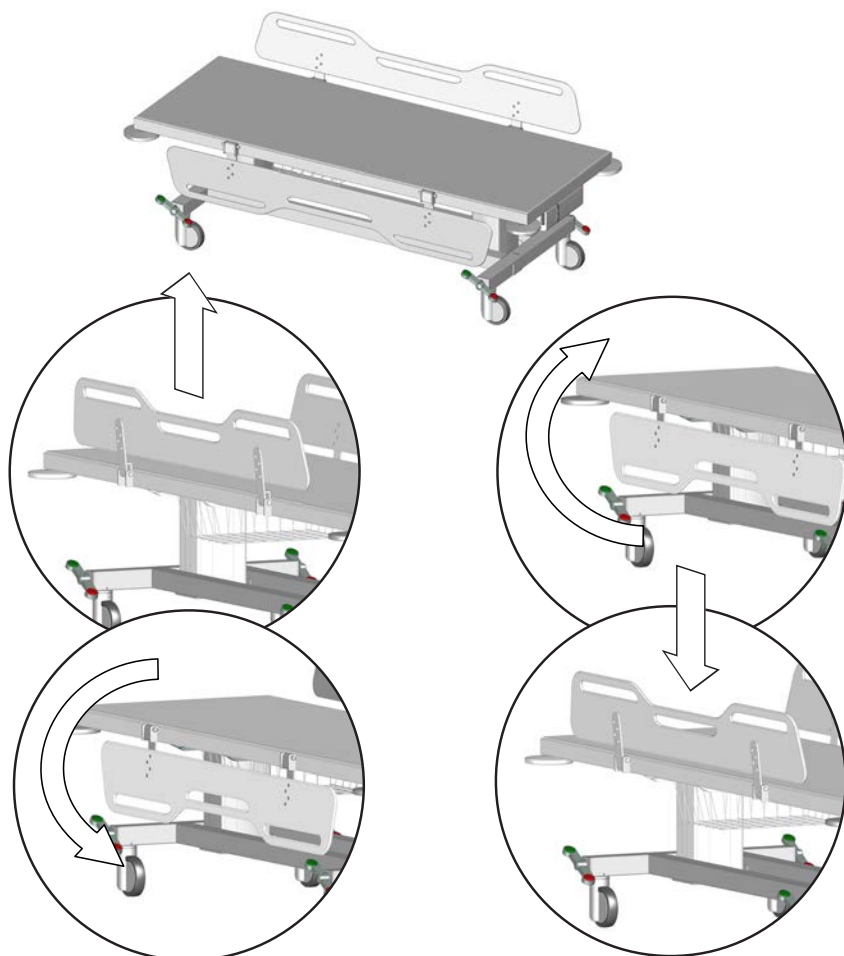
Sørg altid for, at bremserne er låst ved flytning af en patient til og fra det mobile skifteleje.



**Patienten må ikke være uovervåget.**

## Sidestøtter

Sidestøtterne kan foldes op og ned enkeltvist, så det er nemmere at flytte patienten.



dk

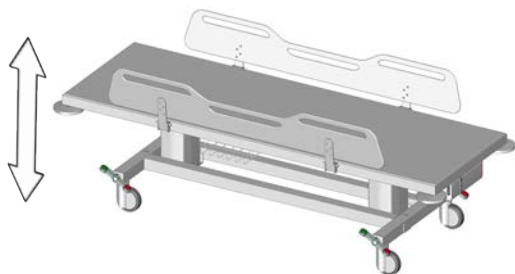
**Sådan foldes den ned:** Løft sidestøtten opad for at låse den op, og sving den ned.

**Sådan foldes den op:** Sving sidestøtten op, og pres den ned for at låse den fast.



Når det mobile leje er i brug, skal du sørge for, at alle sidestøtterne er oppe og i låst position for at beskytte patienten mod at falde ned fra lejet.

## Højderegulering



Det mobile skifteleje kan justeres 400 mm op og ned.

**Maks. brugervægt:  
200 kg**

**Maks. belastning:  
250 kg**

Højdejusteringen styres med den ledningstilsluttede fjernbetjening.



	Tryk og hold på knappen med pil op for at hæve lejet. Når knappen slippes, stopper bevægelsen.
	Tryk og hold på knappen med pil ned for at sænke enheden. Når knappen slippes, stopper bevægelsen.



**For at undgå en kvælningsrisiko skal du sørge for, at den ledningstilsluttede fjernbetjening sidder i sin holder, når den ikke er i brug.**

dk



**Udvis forsigtighed for undgå skader på hænder, fødder og hoved, når disse er i nærheden af bevægelige mekaniske dele.**

## Nulstilling

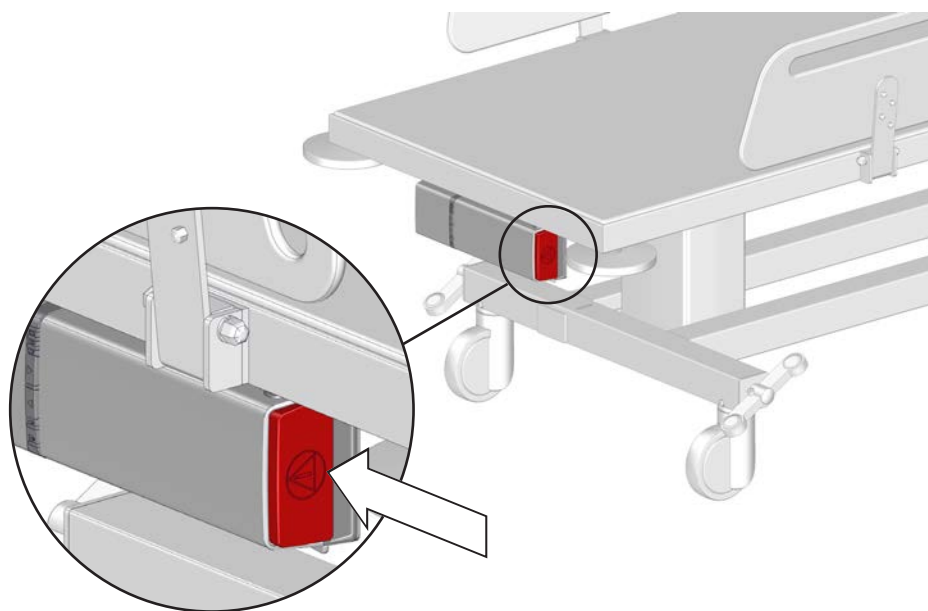
Hvis løftefunktionen ikke fungerer korrekt, eller hvis de to løftesøjler ikke er synkroniserede, kan du prøve at nulstille løftesystemet.



	Tryk og hold på knappen med pil op og knappen med pil ned samtidigt. Søjlerne flyttes ned efter nogle sekunder, mens der afgives en biplyd.
	Bliv ved med at holde på begge knapper, indtil biplyden stopper. Løftesøjlerne er nu nulstillet.

## Nødstop

Tryk på nødknappen på batteriet i nødstilfælde. Den opad- eller nedadgående bevægelse stopper med det samme.



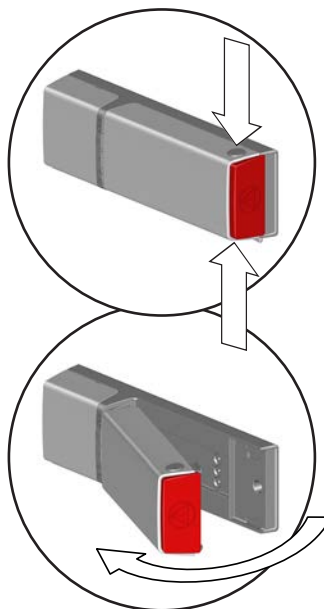
dk

## Annullering af nødstoppet

Tryk på de to låseknapper for at fjerne batteriet.

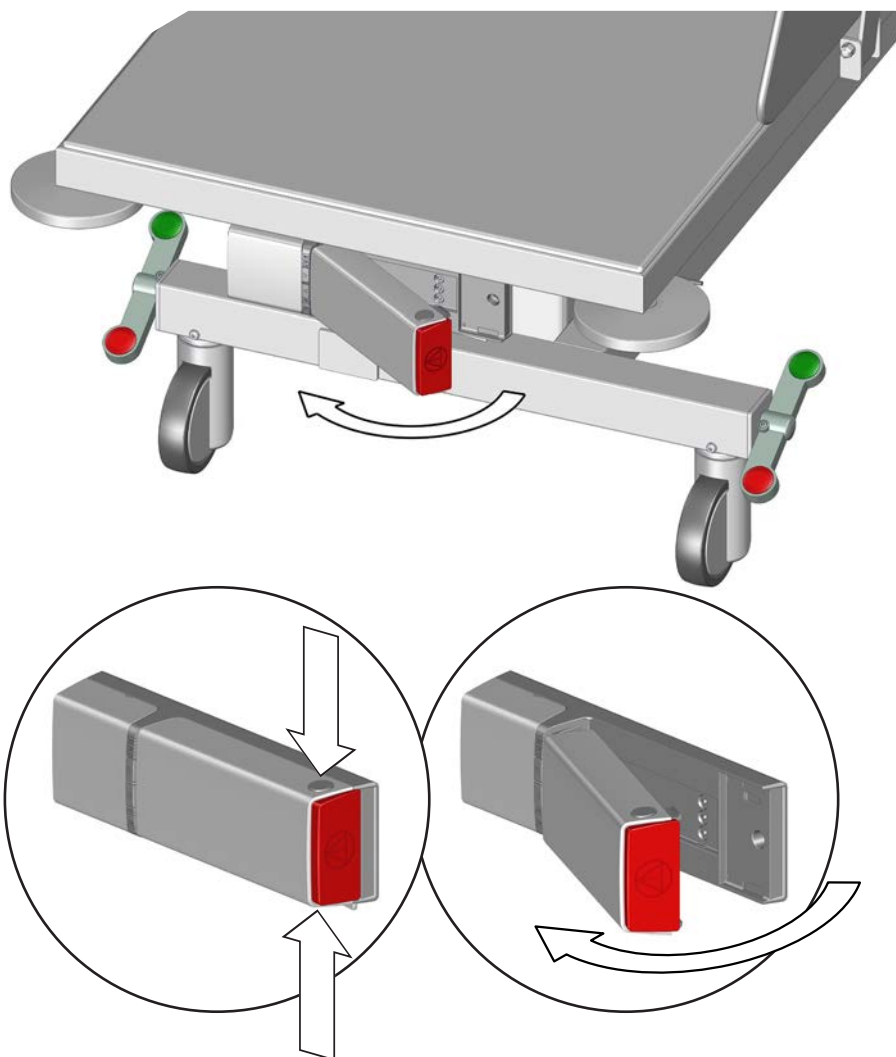
Isæt batteriet igen. Sørg for, at batterilåsen klikker på plads.

Nødstoppet er nu annulleret.



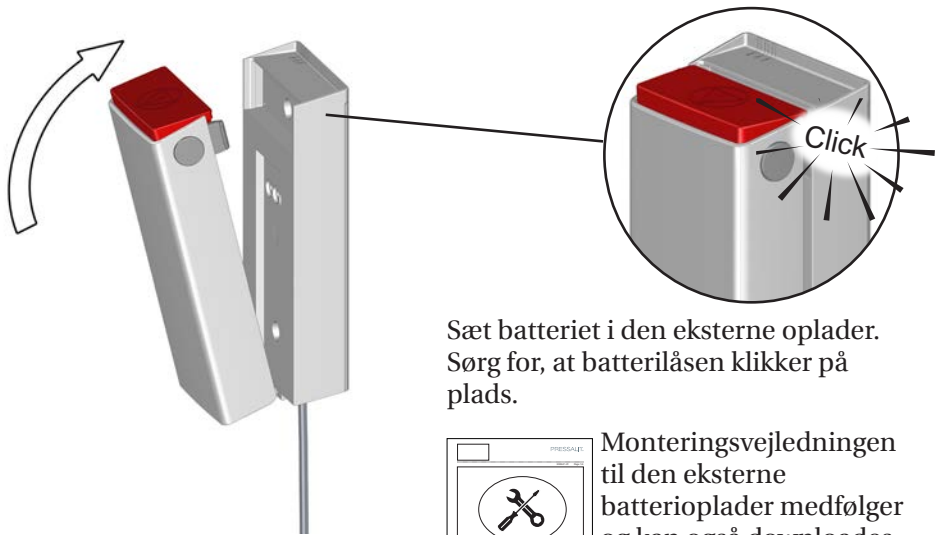
## Opladning af batteriet

Batteriet kan højdejustere det mobile bruse-/skifteleje op til 30 gange, når det er fuldt opladet.

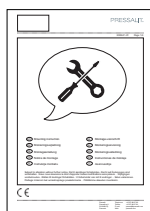


dk

Tryk på de to frigivelsesknapper for at fjerne batteriet, så det kan oplades i den eksterne oplader.



Sæt batteriet i den eksterne oplader. Sørg for, at batterilåsen klikker på plads.

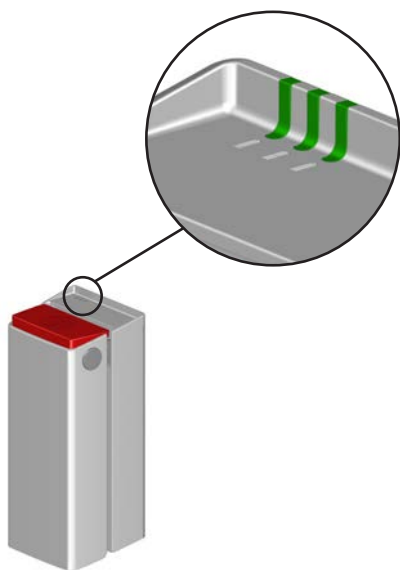


Monteringsvejledningen til den eksterne batterioplader medfølger og kan også downloades fra [www.pressalit.com](http://www.pressalit.com).

## LED-indikatorer for opladning

dk

De tre LED'er på den eksterne oplader viser statussen for batteriopladningen.

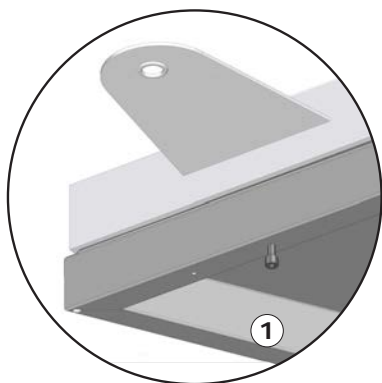
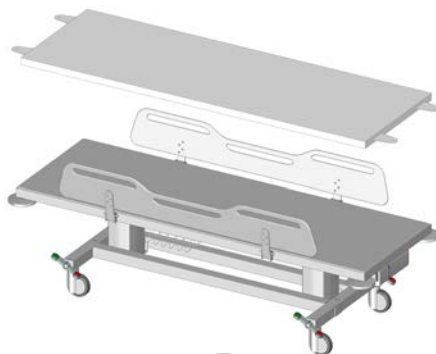


	<b>Status for opladning</b>
	90-100 %
	65-90 %
	40-65 %
	0-40 %
	Opladning er stoppet på grund af lav eller høj batteritemperatur eller andre fejlbetingelser
	Opladning er stoppet, fordi kommunikationen med batteriet er mistet

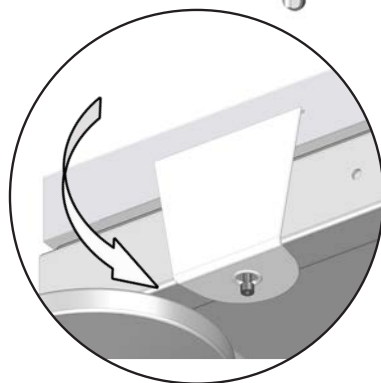
# Tilbehør

## Madras

Den valgfrie madras kan placeres på det mobile skifteleje for optimal komfort. Begge sider af madrassen kan bruges, da den er vendbar.



Skru låseskruen til madrassen ① ca. en centimeter ud.



Træk madrasflappen ned over skruen. Gør det samme med alle fire flapper.

Produktet skal rengøres med varmt vand eller mildt sæbevand. Der findes en liste over passende rengøringsmidler/ desinfektionsmidler, der er testet af Pressalit, på [pressalit.com](http://pressalit.com).

Monteringsvejledningen følger med madrassen og kan også downloades fra [pressalit.com](http://pressalit.com).

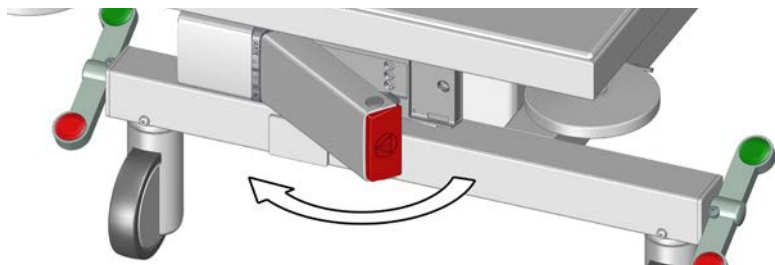


## VIGTIGT

For at opretholde god hygiejne anbefales det regelmæssigt at kontrollere for synlige skader eller tegn på slitage og revner i madrassen. Hvis der findes skader, den straks udskiftes for at forhindre risikoen for kontaminering eller infektion.

# Rengøring

Tag batteriet ud før rengøring af det mobile bruse-/skifteleje.



Produktet skal rengøres med varmt vand eller mildt sæbevand. Der findes en liste over passende rengøringsmidler, der er testet af Pressalit, på [pressalit.com](http://pressalit.com)

## **FORSIGTIG**

Læs altid sikkerhedsdatabladet (MSDS) og de instruktioner, der følger med rengørings-, desinfektions- eller afkalkningsmidlet, og følg instruktionerne for sikker brug, fortynding, skylning, tørring, håndtering og opbevaring af midlet.

## **VIGTIGT**

- Brug ikke autoklavering eller en anden form for damprensere.
- Undgå stærke rengøringsmidler, der indeholder syre.
- Produktet må aldrig sprøjtes direkte med en højtryksrenser.
- Klorbaserede desinfektionsmidler kan bruges til desinfektion af overflader i henhold til produktspecifikationen og sikkerhedsforanstaltninger for disse produkter.

## **FORSIGTIG**

Der må ikke foretages nogen form for rengøring eller desinfektion af det mobile bruse-/skifteleje, mens patienten ligger på det.



# Elektromagnetisk kompatibilitet



- Brug af tilbehør, transducere og kabler af andre mærker end dem, der er specificeret eller leveret af producenten, kan medføre øgede elektromagnetiske emissioner eller reduceret elektromagnetisk immunitet i dette udstyr og medføre forkert funktion.
- Bærbart RF-kommunikationsudstyr (herunder perifert udstyr som f.eks. antennekabler og eksterne antenner) må ikke bruges tættere på end 30 cm fra enhver del af enheden, herunder kabler, for at undgå en eventuel forringelse af denne enheds ydeevne.
- Brug af dette udstyr i nærheden af eller stablet oven på andet udstyr skal undgås, da det kan medføre forkert funktion. Hvis en sådan brug er nødvendigt, skal dette udstyr og det andet udstyr observeres for at bekræfte, at det fungerer normalt.

## Elektromagnetiske emissioner

dk

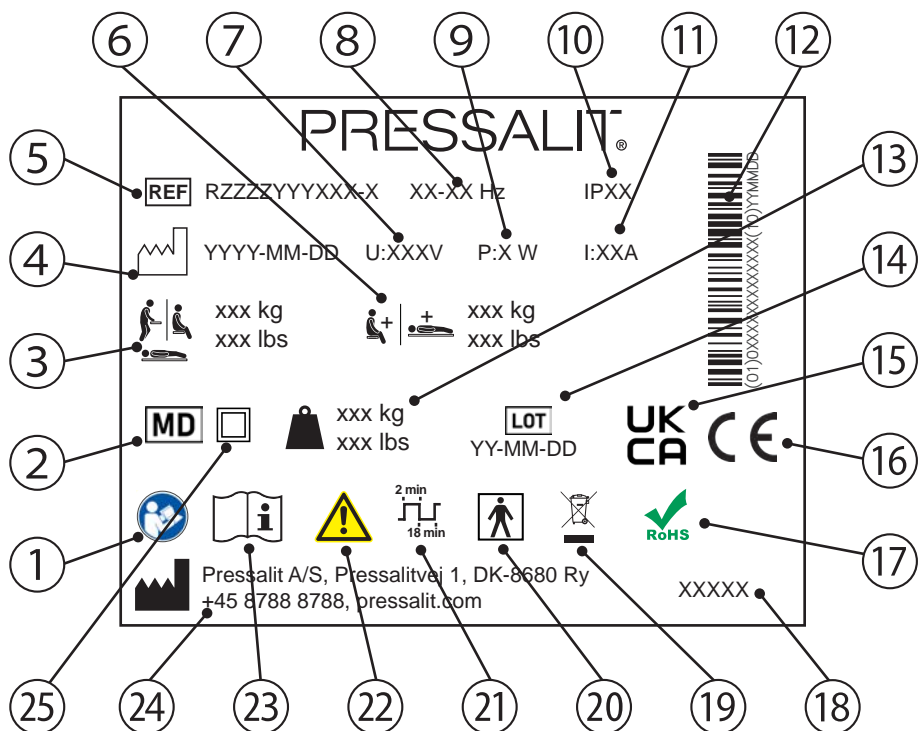
Teststandard	Testniveau/-detaljer	Testresultater
60601-1-2 kap. 7.1.7 – CISPR 14	30 MHz-1 GHz	Bestået

## Elektromagnetisk immunitet

Teststandard	Overholdelses-niveau	Testniveau/-detaljer	Test-resultater
EN60601-1-2 og EN17966 (Sundhedspleje i private hjem)	=> 10 V/m 2,7 GHz	15 V/m Frekvensområde: 80 MHz-6 GHz 1 % trinstørrelse	Bestået
EN60601-1-2 (Proksimitetsfelter fra trådløst RF-kommunikationsudstyr)	=> 10 V/m 2,7 GHz	15 V/m Frekvensområde: 385-5785 MHz	Bestået
IEC 61000-4-4 (Hurtige elektriske overspændinger/strømskud)		Hurtig impulssimulering	Bestået
Ledningsbårne forstyrrelser induceret af radio-frekvente felter.	Impuls subjektion, 6 V	Impuls subjektion, 10 V	Bestået
Elektrostatisk afladning		Statisk ladet person aflades på enhed, 8 kV og 15 kV	Bestået (*)

Hvis en statisk ladet person aflader på eller i nærheden af det mobile bruselejes kontrolboks, kan der opstå en fejl for løftesøjlerne, og der skal foretages en nulstilling. Se "**Nulstilling**".

# Produktmærkning



dk

① Se brugsvejledningen

② Medicinsk udstyr

③ Maks. brugervægt

④ Fremstillingsdato

⑤ Produktnummer

⑥ Maksimal belastning

⑦ Netspænding

⑧ Frekvens

⑨ Maks. strømforbrug

⑩ IP-klasse

---

⑪ Strømstyrke

---

⑫ GS1-128-stregkode

---

⑬ Produktvægt

---

⑭ Batchkode

---

⑮ UKCA-mærkning (UK Conformity Assessment)

---

Disse produkter er CE-mærket i henhold til de relevante krav i:

- Forordning (EU) 2017/745 (af 5. april 2017) om medicinsk udstyr.

⑯ • Rådets direktiv 2006/42/EF (af 17. maj 2006) om maskiner.

- Rådets direktiv 2011/65/EF (af 8. juni 2011) om RoHS.

Der findes en overensstemmelseserklæring på [pressalit.com](http://pressalit.com)

---

⑰ Dette produkt indeholder ikke nogen af de farlige stoffer, der er nævnt i Rådets direktiv 2011/65/EF om RoHS.

---

⑱ Produktnavn (hvis det findes)

---

⑲ Må ikke bortskaffes som usorteret husholdningsaffald. Produktet skal indsamles særskilt og afleveres på den relevante genbrugsstation.

---

⑳ Type B anvendt del. Dele af produktet vil under normal anvendelse nødvendigvis komme i fysisk kontakt med patienten. Produktet opfylder kravene i IEC 60601-1 for at beskytte mod elektrisk stød

---

㉑ Driftscyklus

---

㉒ Se vigtige advarende oplysninger, som f.eks. advarsler og sikkerhedsforanstaltninger, i vejledningen

---

㉓ Se brugsvejledningen

---

㉔ Fabrikantens navn og adresse

---

㉕ Dobbeltisoleret elektrisk apparat

---

## Opbevaring og transport

- Temperaturen for transport og opbevaring af enheden skal være mellem 5 og 40 °C.
- Enheden skal altid transporteres in dens originale emballage.
- Undgå at udsætte emballagen for stød og slag.
- Produktet må ikke bruges, hvis emballagen er brudt eller beskadiget.

## Fejlfinding

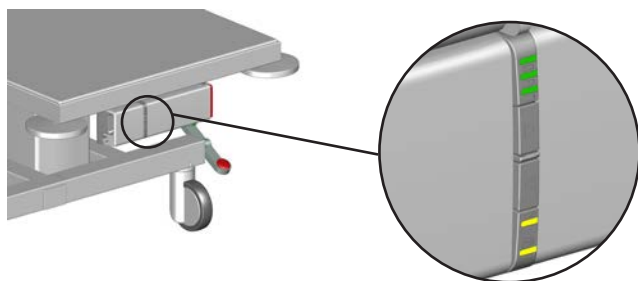
Symptom	Årsag	Handling
Ingen strøm.	Der er ikke strøm på batteriet.	Oplad batteriet. Se " <b>Opladning af batteriet</b> ".
Det mobile skifteleje står skråt.	Løftesøjlerne er ikke synkroniserede.	Nulstil løftesøjlerne. Se " <b>Nulstilling</b> ".
Det mobile leje kan ikke hæves eller sænkes.	Hvis en statisk ladet person aflader i nærheden af det mobile lejes kontrolboks, kan der opstå en fejl for løftesøjlerne.	Nulstil løftesøjlerne. Se " <b>Nulstilling</b> ".

Kontakt Pressalit A/S eller din lokale forhandler, hvis problemet ikke kan løses. Forsøg ikke selv at reparere produktet, da dette vil ugyldiggøre garantien.

Den forventede levetid for det mobile skifteleje er 10 år.

## LED-indikatorer for system

De to gule LED'er på den interne lader viser systemets status.



LED'er	Årsag	Status	Handling
	Nødstop aktiveret	Enheden kan ikke hæves eller sænkes.	Frigør nødstopet. Se " <b>Frigørelse af nødstopet</b> "
	Systemfejl	Enheden kan ikke hæves eller sænkes.	Nulstil løftesøjlerne. Se " <b>Nulstilling</b> "
	Enhed er overbelastet	Enheden kan ikke hæves eller sænkes.	Reducer belastningen
	Driftscyklusbeskyttelse	Enheden kan ikke hæves eller sænkes.	Vent, indtil enheden er klar
	Service er påkrævet	Enheden fungerer stadig	Kontakt Pressalit A/S eller din lokale forhandler

## Bortskaffelse og genbrug

Produktet indeholder genbrugelige materialer. Der er ingen kendte farer eller risici forbundet med bortskaffelse af produktet. Alle komponenter kan bortskaffes efter at være blevet rengjort og desinficeret.

Ved bortskaffelse af produktet anbefales det, at det skilles ad og inddeles i forskellige affaldsgrupper til genbrug eller forbrænding.

Følgende tabel indeholder oplysninger om genbrug og håndtering af produktet.

<b>Genanvendelige komponenter</b>	<b>Materiale</b>
Stål	Stål kan genbruges ved hjælp af omsmeltning og anvendes som sekundært materiale i produktionen af nyt stål.
Plastik	Brug plastiksorтерings- og genbrugssystemer, hvis de er tilgængelige i lokalområdet, og ellers har forbrænding af plastik den ekstra fordel, at det genererer energi, hvilket kan anvendes til f.eks. en kombination af varme- og kraftproduktion.
Elektronik	De elektroniske komponenter skal indsamles særskilt og afleveres på den relevante genbrugsstation.

dk

# Inhalt

Symbole in dieser Gebrauchsanweisung .....	57
Allgemeine Sicherheitshinweise .....	59
Sicherheitsabstand .....	60
Verwendungszweck .....	62
Vorgesehene Benutzer .....	62
Vorgesehene Patienten .....	62
Kontraindikationen .....	63
Biologische Beurteilung .....	63
Entzündbarkeit .....	63
Bedienungsanleitung .....	64
Sicherheitsbremsen .....	64
Seitengitter .....	65
Höhenverstellung .....	66
Zurücksetzen .....	66
Not-Halt .....	67
Aufheben des Not-Halts .....	67
Akku laden .....	68
LED-Ladestandanzeige .....	69
Zubehör .....	70
Matratze .....	70
Reinigung .....	71
Elektromagnetische Verträglichkeit .....	72
Elektromagnetische Emissionen .....	72
Elektromagnetische Störfestigkeit .....	73
Typenschild .....	74
Aufbewahrung und Transport .....	76
Fehlerbehebung .....	76
LED-Systemanzeige .....	77
Entsorgung und Wiederverwertung .....	78



# Symbole in dieser Gebrauchsanweisung

Die folgenden Symbole werden sowohl in dieser Gebrauchsanweisung als auch in der mit dem Produkt mitgelieferten Dokumentation verwendet.



**WARNUNG** weist auf zu vermeidende Gefahrensituationen hin, die zum Tod oder zu schwerwiegenden Verletzungen führen können.



**VORSICHT** weist auf zu vermeidende Gefahrensituationen hin, die zu geringfügigen oder mittelschweren Verletzungen führen können. Es kann auch zur Warnung vor unsicheren Verfahren dienen.



**WICHTIG** weist auf wichtige Informationen zur Handhabung und Verwendung des Produkts hin.



**HINWEIS** kennzeichnet Verfahren und Informationen, ohne dass Verletzungsgefahr besteht.



Warnung: Verletzungsgefahr für den Kopf



Warnung: Verletzungsgefahr für die Hände



Warnung: Verletzungsgefahr für die Genitalien



Warnung: Verletzungsgefahr für die Füße



Der Patient darf nicht unbeaufsichtigt gelassen werden.



Kompatible Produkte



Ersatzteile



Max. Gewicht des Benutzers



Artikelnummer/Versionen



Gewichtangabe



Elektrische Daten

# Allgemeine Sicherheitshinweise

## **WARNUNG**

- Lesen Sie vor Verwendung des Produkts die Gebrauchsanweisung vollständig durch. Bewahren Sie die Gebrauchsanweisung in der Nähe des Produkts auf.
- Befolgen Sie diese Gebrauchsanweisung, um schwerwiegende Verletzungen zu vermeiden.
- Verwenden und handhaben Sie dieses Produkt ausschließlich wie in dieser Gebrauchsanweisung beschrieben. Anderenfalls besteht Verletzungsgefahr für den Anwender oder die Gefahr von Schäden am Produkt.
- Stellen Sie sicher, dass alle Personen, die dieses Produkt und seine Komponenten installieren oder verwenden, über die notwendigen Informationen verfügen und Zugang zu dieser Gebrauchsanweisung haben.

## **VORSICHT**

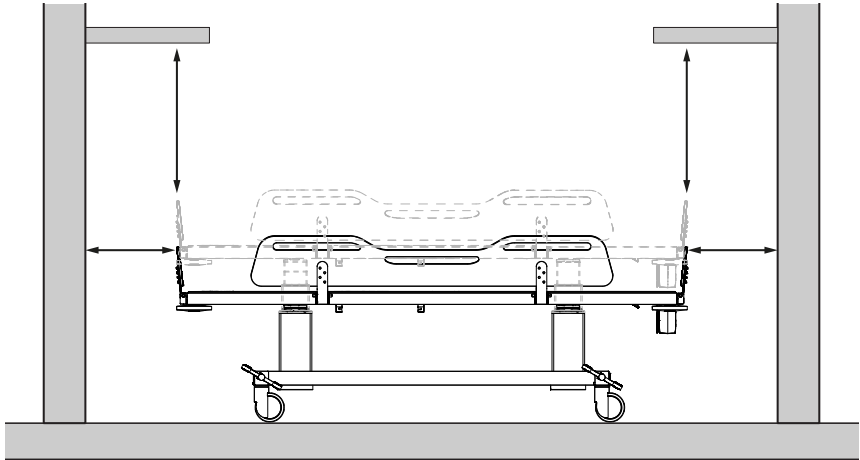
- Befolgen Sie diese Anweisungen, um Schäden am Produkt zu vermeiden.
- Nehmen Sie keine Reparaturen, Montagen, Erweiterungen, Anpassungen oder Veränderungen am Produkt vor und zerlegen Sie es nicht. Diese Arbeiten dürfen ausschließlich von Pressalit-Mitarbeitern oder von anderen, durch Pressalit autorisierten Personen durchgeführt werden.
- Lassen Sie niemals Kinder unbeaufsichtigt dieses Produkt bedienen. Das Produkt darf nicht als Spielzeug verwendet werden.
- Verwenden Sie das Produkt niemals, wenn es defekt oder beschädigt ist. Verwenden Sie ein defektes Produkt erst wieder, nachdem es repariert wurde.

## **HINWEIS**







- Die Informationen in dieser Gebrauchsanweisung setzen den korrekten Einbau des Produkts gemäß unserer Montageanweisung voraus.
- Pressalit haftet nicht, wenn das Produkt anders als in dieser Gebrauchsanweisung beschrieben verwendet wird.
- Änderungen vorbehalten.

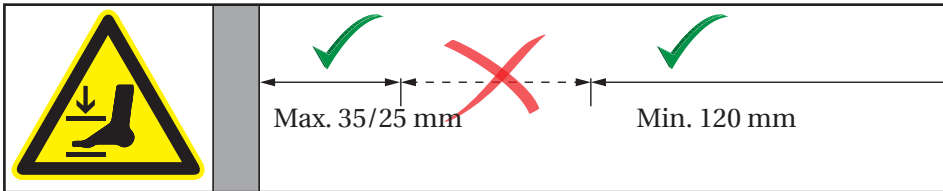
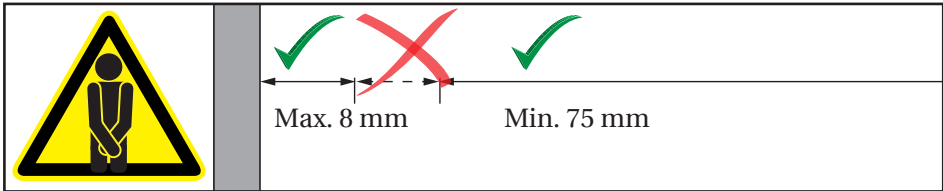
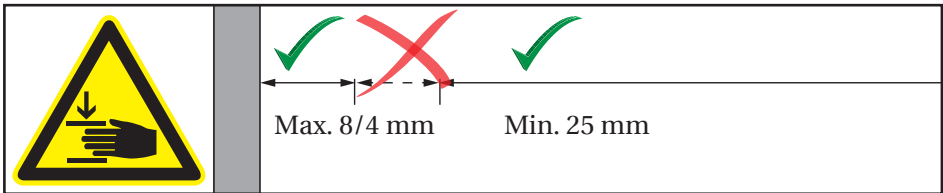
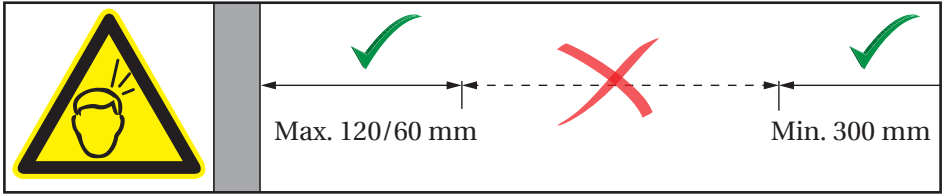
# Sicherheitsabstand

Stellen Sie sicher, dass sich das Produkt in sicherem Abstand zu Gegenständen in der Umgebung befindet. Überprüfen Sie die Abstände vor Verwendung des Produkts.



de

ISO 17966:2016		
	Max. 120 mm Min. 300 mm	Max. 60 mm Min. 300 mm
	Max. 8 mm Min. 25 mm	Max. 4 mm Min. 25 mm
	Max. 8 mm Min. 75 mm	Max. 8 mm Min. 75 mm
	Max. 35 mm Min. 120 mm	Max. 25 mm Min. 120 mm



 **WARNUNG**

Während das Produkt innerhalb der Sicherheitsabstände hochgefahren und abgesenkt wird, muss zur Vermeidung von Quetschverletzungen auf Personen und Objekte in der Umgebung geachtet werden.

# Verwendungszweck

Das Produkt ist zum Umziehen von Personen vorgesehen, die nicht stehen oder sitzen können. Die Person liegt dabei waagrecht auf der mobilen Ankleideliege.

## Vorgesehene Benutzer

Dieses Produkt ist nur von Personen zu verwenden, die in der medizinischen Pflege und/oder im Umkleiden von durch sie betreuten Personen geschult sind.

## Vorgesehene Patienten

Das Produkt kann von Erwachsenen und Kindern jeden Alters genutzt werden, deren Körpergewicht die **maximale Belastbarkeit von 200 kg** nicht überschreitet.

## Betriebsbedingungen

Die mobile Ankleideliege ist zur Verwendung unter normalen Arbeitsbedingungen bei Raumtemperatur in öffentlichen Räumen, Schulen, Privathaushalten, betreutem Wohnen, Tagespflegeeinrichtungen, Pflegeheimen und Krankenhäusern vorgesehen. Die mobile Ankleideliege darf nur in trockenen Räumen genutzt werden, also nicht als Duschliege. Bei einer relativen Luftfeuchtigkeit von mehr als 70 % verringert sich die erwartete Lebensdauer des Produkts erheblich. Die mobile Ankleideliege darf keinen chlorhaltigen Dämpfen ausgesetzt werden.



Die Oberfläche des Produkts kann sich stark erhitzen bzw. abkühlen, wenn sie externen Wärme- bzw. Kältequellen ausgesetzt ist (wie z. B. direkter Sonneneinstrahlung oder Frost).

## HINWEIS

Jeder schwerwiegende Vorfall, der im Zusammenhang mit dem Produkt aufgetreten ist, muss dem Hersteller und den Gesundheitsbehörden gemeldet werden. Ein schwerwiegender Vorfall ist definiert als jeder Vorfall, der zum Tod eines Patienten, Benutzers oder einer anderen Person führt, oder der eine vorübergehende oder dauerhafte Verschlechterung des Gesundheitszustands einer Person nach sich zieht. Jeder Vorfall, der zu einem schwerwiegenden Vorfall geführt hat oder dazu führen könnte, muss gemeldet werden.

## **Kontraindikationen**

Schwangere Frauen sollten nicht auf dem Duschwagen gewaschen werden. Patienten mit Infusions- oder Insulinpumpe, entzündlichen Hautkrankheiten oder fiebernde Patienten sollten nicht auf dem Duschwagen gewaschen werden.

Patienten mit Herzinsuffizienz, Herz-Kreislauf-Erkrankungen, Schädel-Hirn-Trauma, offenen Wunden oder gelegten Zugängen (z. B. Katheter, Drainageschlauch) dürfen erst nach Rücksprache mit dem behandelnden Arzt auf dem Duschwagen gewaschen werden.

Das Produkt darf nicht verwendet werden, wenn der Patient mehr als 200 kg wiegt.

## **Biologische Beurteilung**

Die Materialien, die beim Umziehen mit der Haut des Patienten oder Bedieners in Kontakt kommen, wurden gemäß ISO 10993 „Biologische Beurteilung von Medizinprodukten“ auf Schadstoffe getestet und sind nachweislich für die vorgesehene Verwendung geeignet.

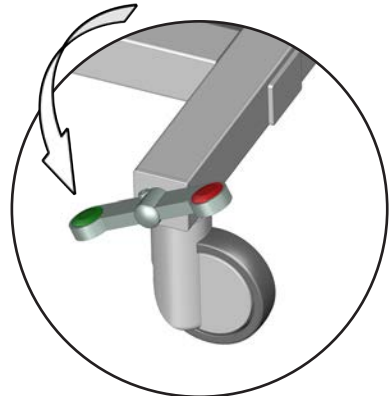
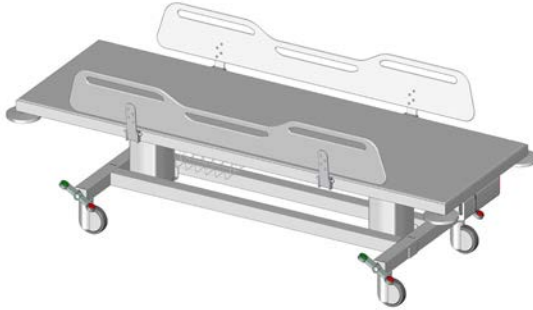
## **Entzündbarkeit**

Die Materialien des Produkts wurden gemäß ISO 8191-1:1987 und ISO 8191-2:1988 auf Entzündbarkeit getestet.

# Bedienungsanleitung

## Sicherheitsbremsen

Alle vier Räder der mobilen Ankleideliege verfügen über Sicherheitsbremsen, damit sich diese bei der Verwendung nicht unerwartet bewegt.



**Bremsen feststellen:** Treten Sie auf den roten Knopf an einem der vier Kipphelpedale, um die Bremsen an allen vier Rädern festzustellen.

**Bremsen lösen:** Treten Sie auf den grünen Knopf an einem der vier Kipphelpedale, um die Bremsen an allen vier Rädern zu lösen.



Überprüfen Sie immer, dass die Bremsen festgestellt sind, wenn Sie einen Patienten auf die oder von der mobilen Ankleideliege umlagern.

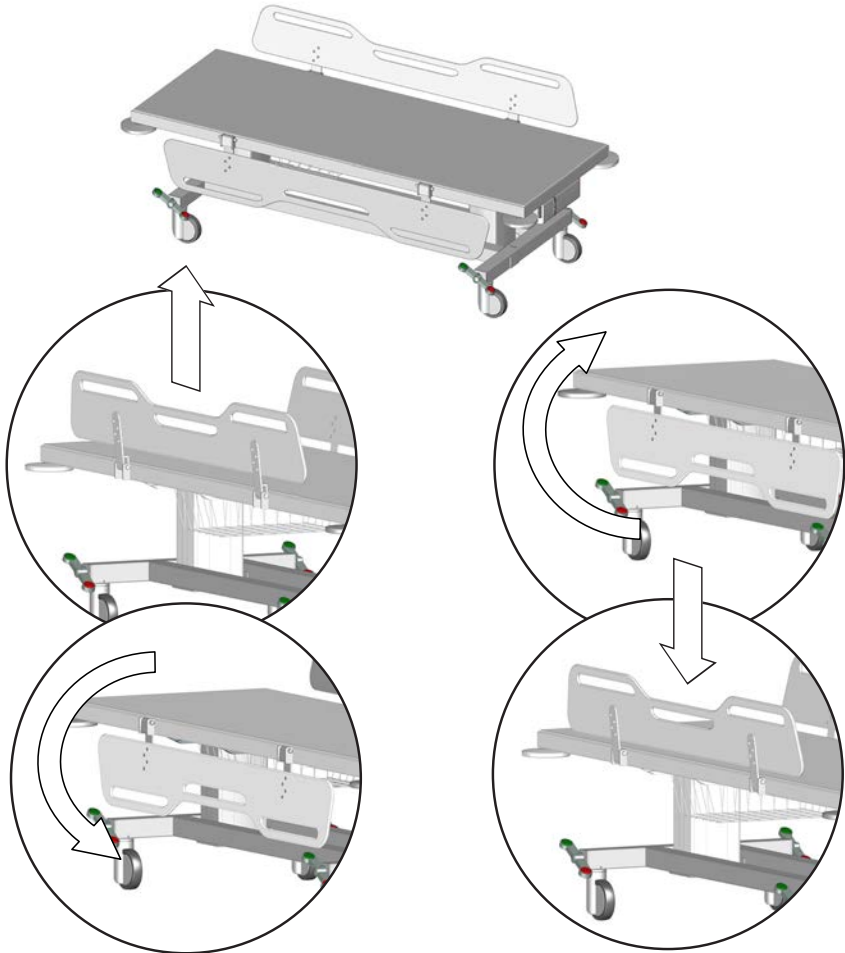


**Der Patient darf nicht unbeaufsichtigt gelassen werden.**



## Seitengitter

Die Seitengitter können einzeln hoch- und heruntergeklappt werden, um die Umlagerung des Patienten zu erleichtern.



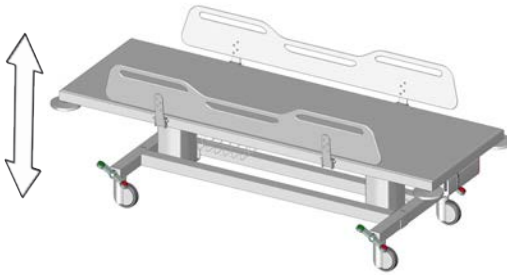
**Herunterklappen:** Heben Sie die Seitengitter an, um sie zu entriegeln und klappen Sie sie dann nach unten.

**Hochklappen:** Klappen Sie die Seitengitter hoch und drücken Sie sie dann nach unten, bis sie einrasten.



Bei der Verwendung müssen alle Seitengitter aufrecht und verriegelt sein, damit der Patient keinesfalls herunterfallen kann.

## Höhenverstellung



Die mobile Ankleideliège kann um 400 mm nach oben und unten verstellt werden.

**Max. Gewicht des Benutzers:  
200 kg**

**Max. Belastbarkeit:  
250 kg**

Die Höhenverstellung erfolgt über die kabelgebundene Fernbedienung.



	Halten Sie zum Hochfahren die Taste „Auf“ gedrückt. Wenn Sie die Taste loslassen, wird die Aufwärts- bzw. Abwärtsbewegung angehalten.
	Halten Sie zum Absenken die Taste „Ab“ gedrückt. Wenn Sie die Taste loslassen, wird die Aufwärts- bzw. Abwärtsbewegung angehalten.



**Wenn die kabelgebundene Fernbedienung gerade nicht verwendet wird, muss sie in der vorgesehenen Halterung platziert werden, um ein Strangulationsrisiko zu vermeiden.**



**Seien Sie in der Nähe beweglicher mechanischer Teile vorsichtig, da hier die Gefahr von Verletzungen der Hände, der Füße und des Kopfes besteht.**

## Zurücksetzen

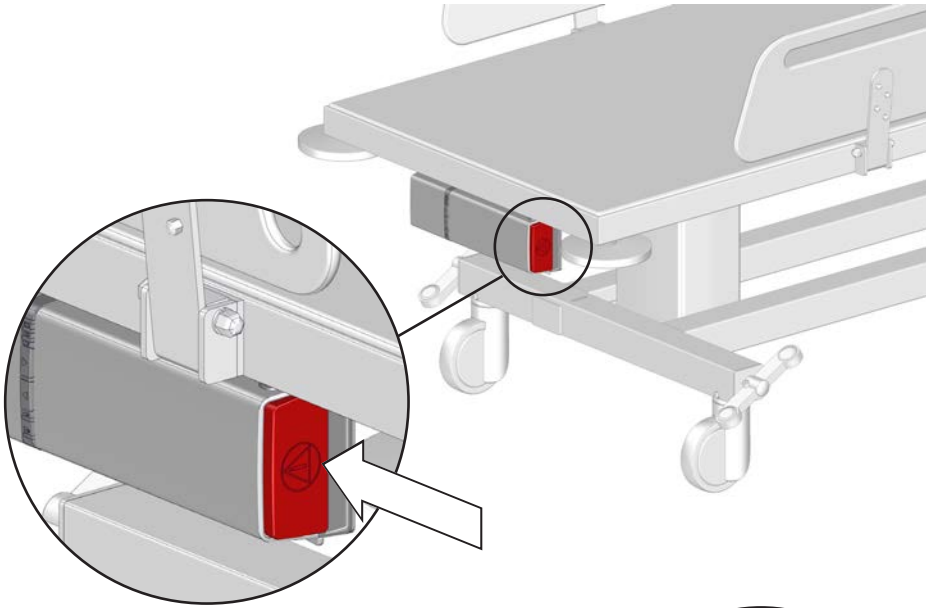
Wenn der Hubmechanismus nicht ordnungsgemäß funktioniert oder die beiden Hubsäulen ungleich ausgefahren werden, sollten Sie das System zurücksetzen.



	Halten Sie dafür die Tasten zum Hoch- und Herunterfahren gleichzeitig gedrückt. Nach wenigen Sekunden fahren die beiden Hubsäulen herunter, bis ein akustisches Signal ertönt.
	Halten Sie die beiden Tasten gedrückt, bis das akustische Signal aufhört. Nun sind die beiden Hubsäulen zurückgesetzt.

## Not-Halt

Drücken Sie im Notfall den Not-Halt-Schalter am Akku. Die Auf- oder Abwärtsbewegung stoppt unverzüglich.

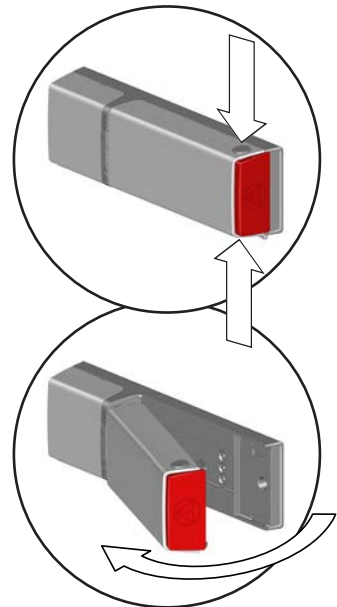


## Aufheben des Not-Halts

Betätigen Sie die beiden Druckknöpfe, um den Akku abzunehmen.

Bringen Sie den Akku wieder an. Stellen Sie sicher, dass der Akku einrastet.

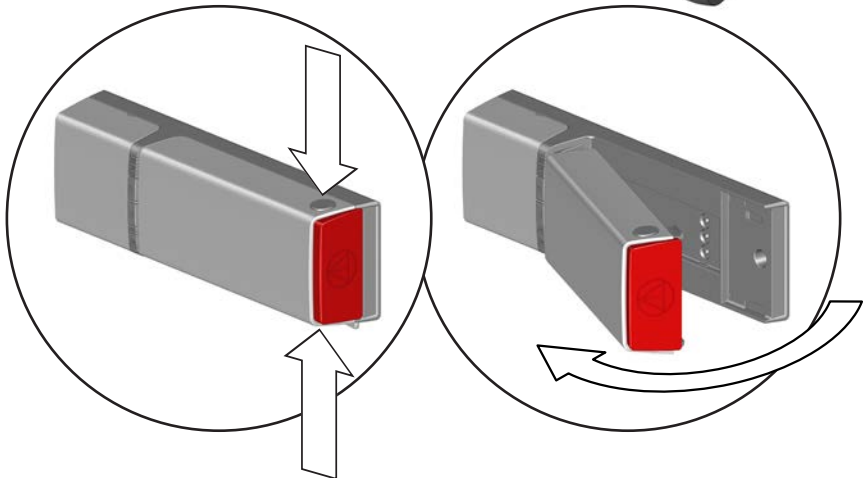
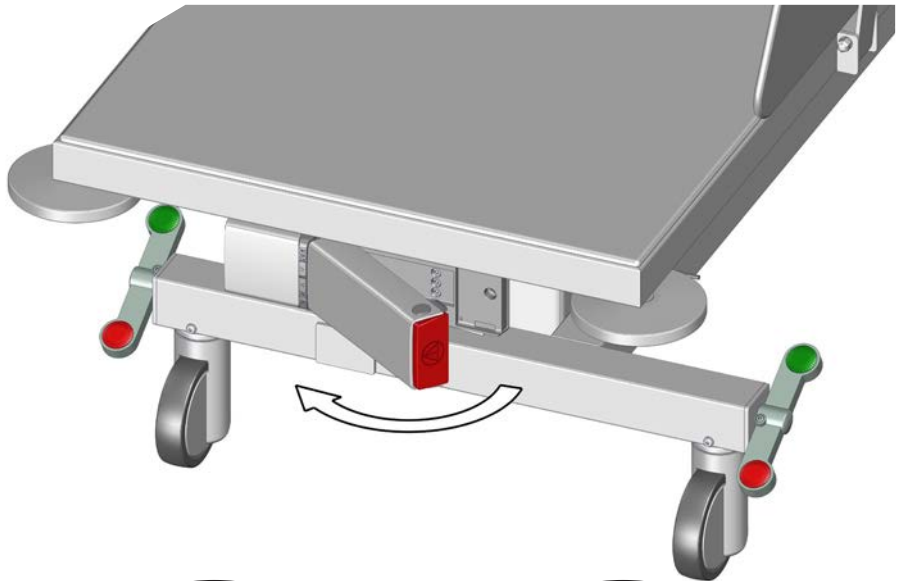
Der Not-Halt ist nun aufgehoben.



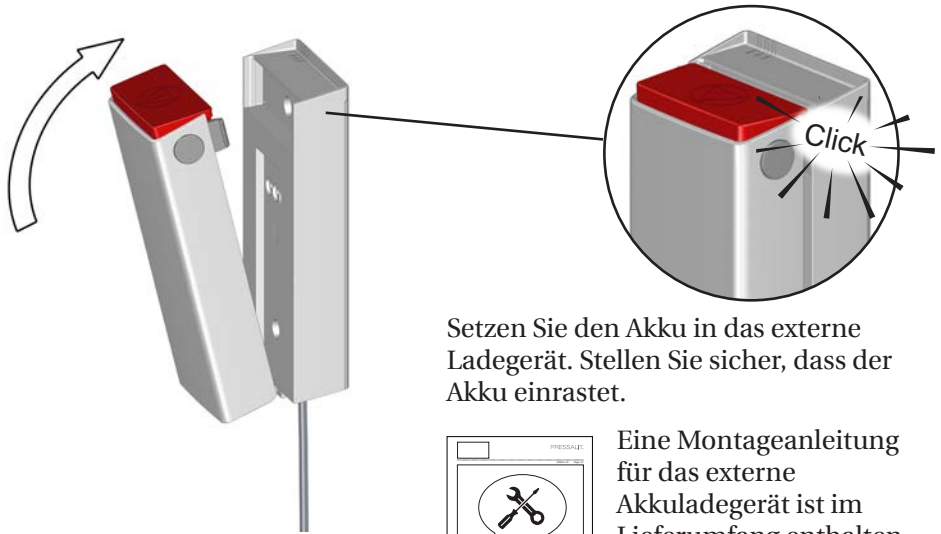
de

# Akku laden

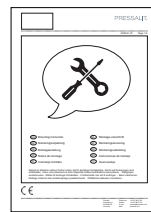
Die Akkuleistung des Duschwagens reicht für bis zu 30 Mal hoch- und herunterfahren.



Betätigen Sie die beiden Druckknöpfe, um den Akku zum Aufladen im externen Ladegerät abzunehmen.



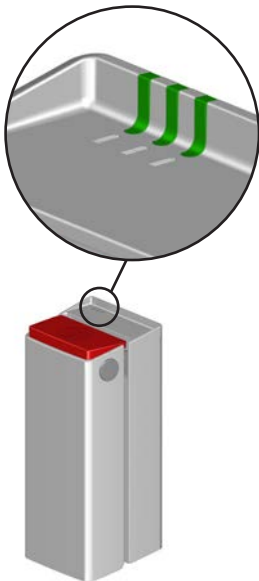
Setzen Sie den Akku in das externe Ladegerät. Stellen Sie sicher, dass der Akku einrastet.



Eine Montageanleitung für das externe Akkuladegerät ist im Lieferumfang enthalten und kann zudem über [pressalit.com](http://pressalit.com) heruntergeladen werden.

## LED-Ladestandanzeige

Die drei LEDs am externen Ladegerät zeigen den Ladestand des Akkus an.

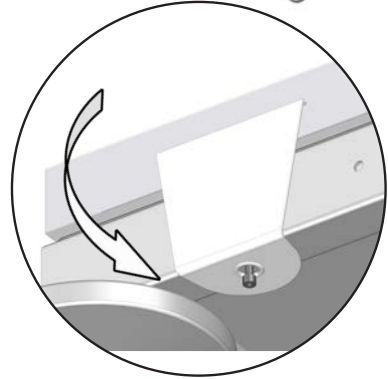
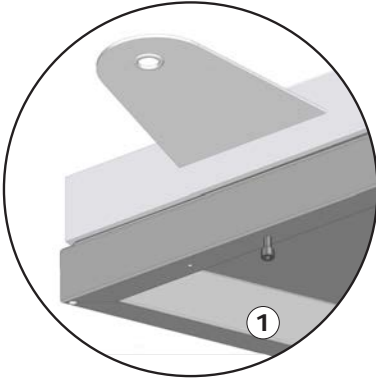
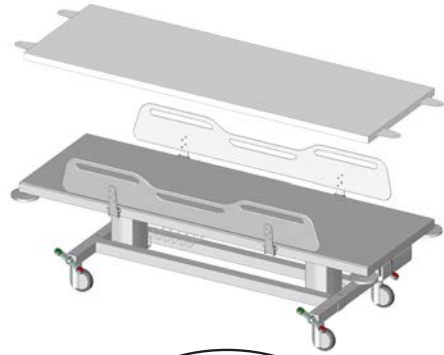


	<b>Ladestand</b>
	90–100 %
	65–90 %
	40–65 %
	0–40 %
	Der Ladevorgang wurde aufgrund einer zu hohen Akkutemperatur, einer zu niedrigen Akkutemperatur oder eines sonstigen Fehlers unterbrochen.
	Der Ladevorgang wurde unterbrochen, da der Kontakt zum Akku getrennt wurde.

# Zubehör

## Matratze

Für optimalen Komfort können Sie die optionale Matratze auf die mobile Ankleideliège legen. Sie können die Matratze auf eine beliebige Seite drehen.



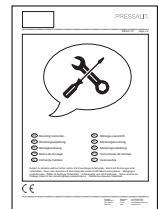
de

Drehen Sie die Verriegelungsschraube für die Matratze ① ca. einen Zentimeter heraus.

Ziehen Sie die Lasche der Matratzen über die Schraube nach unten. Wiederholen Sie diesen Schritt mit allen vier Laschen.

Das Produkt kann mit heißem Wasser oder einem milden Reinigungsmittel gereinigt werden. Eine Liste geeigneter Reinigungs-/ Desinfektionsmittel, die von Pressalit geprüft wurden, finden Sie unter [pressalit.com](http://pressalit.com).

Eine Montageanleitung ist im Lieferumfang der Matratze enthalten und kann zudem über [pressalit.com](http://pressalit.com) heruntergeladen werden.

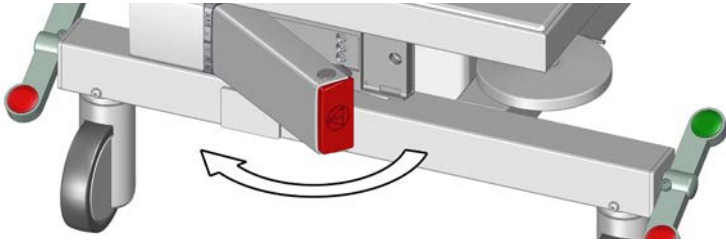


## WICHTIG

Aus Gründen der Hygiene wird empfohlen, die Matratze regelmäßig auf sichtbare Beschädigungen und Verschleißerscheinungen zu prüfen. Wenn Beschädigungen vorliegen, muss die Kopfstütze sofort ausgetauscht werden, um das Risiko einer Verunreinigung oder Infektion zu vermeiden.

# Reinigung

Entfernen Sie vor der Reinigung des Duschwagens den Akku.



Das Produkt kann mit heißem Wasser oder einem milden Reinigungsmittel gereinigt werden. Eine Liste geeigneter Reinigungsmittel, die von Pressalit geprüft wurden, finden Sie unter [pressalit.com](http://pressalit.com).

## **VORSICHT**

Lesen Sie immer das Material Sicherheitsdatenblatt und die Gebrauchsanweisung des verwendeten Reinigungsmittels, Desinfektionsmittels oder Entkalkers, und befolgen Sie die Anweisungen zu sicherem Gebrauch, Verdünnung, Abspülen, Trocknen, Handhabung und Lagerung.

## **WICHTIG**

- Verwenden Sie keinen Autoklaven oder eine andere Art von Dampfreiniger.
- Verwenden Sie keine aggressiven, säurehaltigen Reinigungsmittel.
- Richten Sie niemals einen Hochdruckreiniger direkt auf das Produkt.
- Zur Desinfektion der Oberflächen können chlorbasierte Desinfektionsmittel verwendet werden. Beachten Sie dabei die Produktspezifikationen und Sicherheitshinweise des Produkts.

## **VORSICHT**

Reinigen oder desinfizieren Sie den Duschwagen nicht, während ein Patient darauf liegt.

# Elektromagnetische Verträglichkeit



- Die Verwendung von Zubehör, Messwandlern und Kabeln, die nicht vom Hersteller empfohlen oder bereitgestellt wurden, kann zu erhöhten elektromagnetischen Emissionen oder einer verringerten elektromagnetischen Störfestigkeit dieses Geräts führen und Fehlfunktionen zur Folge haben.
- Tragbare HF-Kommunikationsgeräte (einschließlich Peripheriegeräte wie Antennenkabel und externe Antennen) müssen in einem Abstand von mindestens 30 cm zum Gerät (auch zu den Kabeln) verwendet werden, damit das Gerät nicht in seiner Leistung beeinträchtigt wird.
- Die Verwendung dieses Geräts neben oder auf anderen Geräten ist nicht zulässig, da dies der bestimmungsgemäßen Verwendung widerspricht. Ist eine solche Verwendung dennoch erforderlich, muss die ordnungsgemäße Funktion aller involvierten Geräte sorgfältig überwacht werden.

## Elektromagnetische Emissionen

de

<b>Teststandard</b>	<b>Testlevel/-details</b>	<b>Testergebnisse</b>
60601-1-2 Kap. 7.1.7 – CISPR 14	30 MHz–1 GHz	Bestanden

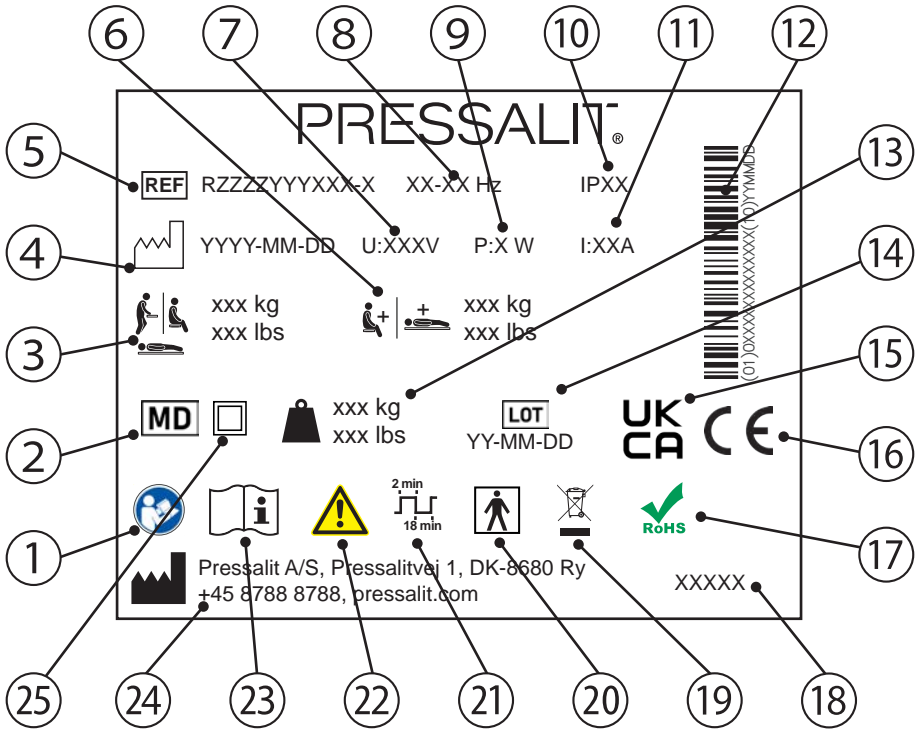


## Elektromagnetische Störfestigkeit

Teststandard	Konformitätslevel	Testlevel/-details	Test-ergebnisse
EN 60601-1-2 und EN 17966 (Versorgung im häuslichen Umfeld)	=> 10 V/m 2,7 GHz	15 V/m Frequenzbereich: 80 MHz–6 GHz 1-%-Schritte	Bestanden
EN 60601-1-2 (Störfestigkeit gegenüber HF-Feldern in der Nähe befindlicher drahtloser Kommunikationsgeräte)	=> 10 V/m 2,7 GHz	15 V/m Frequenzbereich: 385–5785 MHz	Bestanden
IEC 61000-4-4 (schnelle transiente elektrische Störgrößen/Bursts)		Schnelle Pulssimulation	Bestanden
Störfestigkeit gegenüber durch Hochfrequenzfelder induzierte geleitete Störgrößen	Pulsstärke 6 V	Pulsstärke 10 V	Bestanden
Elektrostatische Entladung		Entladung statisch geladene Personen am Produkt, 8 kV und 15 kV	Bestanden (*)

\* Entlädt sich eine statisch geladene Person in der Nähe des Duschwagen-Schaltkastens, kann ein Fehler der Hubsäulen auftreten. In diesem Fall müssen sie zurücksetzt werden. Siehe „**Zurücksetzen**“.

# Typenschild



- ① Gebrauchsanweisung beachten.

---

- ② Medizinprodukt

---

- ③ Maximales Gewicht des Benutzers

---

- ④ Herstellungsdatum

---

- ⑤ Artikelnummer

---

- ⑥ Maximale Belastbarkeit

---

- ⑦ Netzspannung

---

- ⑧ Frequenz

---

- ⑨ Maximale Leistungsaufnahme

⑩ IP-Klasse

---

⑪ Elektrischer Strom

---

⑫ GS1-128-Barcode

---

⑬ Gewichtangabe

---

⑭ Chargennummer

---

⑮ UKCA-Kennzeichnung (UK Conformity Assessed)

---

Diese Produkte tragen das CE-Zeichen und erfüllen alle relevanten Anforderungen gemäß:

- Verordnung (EU) 2017/745 (vom 5. April 2017) über Medizinprodukte

⑯

- Richtlinie 2006/42/EG des Rates (vom 17. Mai 2006) für Maschinen

- Richtlinie 2011/65/EG des Rates (vom 8. Juni 2011) zu RoHS (engl. Restriction of Hazardous Substances, Beschränkung gefährlicher Stoffe)

Eine Konformitätserklärung kann unter [pressalit.com](http://pressalit.com) eingesehen werden.

---

⑰

Dieses Produkt enthält keinen der in der Richtlinie 2011/65/EG des Rates zu RoHS genannten Gefahrstoffe.

---

⑱

Produktname (sofern vorhanden)

---

⑲

Nicht im Hausmüll entsorgen. Das Produkt muss separat entsorgt und der entsprechenden Wiederverwertung zugeführt werden.

---

Teil mit Patientenkontakt, Typ BF. Ein Teil des Produkts kommt bei normalem Gebrauch notwendigerweise in physischen Kontakt mit dem Patienten, um seine vorgesehene Funktion zu erfüllen. Das Gerät entspricht den Anforderungen der IEC 60601-1 zum Schutz vor elektrischem Schlag.

---

⑳

Betriebszyklus

---

㉑

Wichtige Sicherheitshinweise und Vorsichtsmaßnahmen in der Gebrauchsanweisung beachten.

---

㉒

Gebrauchsanweisung beachten.

---

㉓

Name und Anschrift des Herstellers

---

㉔

Doppelt isoliertes elektrisches Gerät

---

# Aufbewahrung und Transport

- Die Temperatur bei Aufbewahrung bzw. Transport des Produkts muss zwischen 5 und 40 °C liegen.
- Das Produkt muss immer in seiner Originalverpackung transportiert werden.
- Das verpackte Produkt sollte keinen Stößen oder Schlägen ausgesetzt werden.
- Das Produkt darf nicht verwendet werden, wenn die Verpackung beschädigt ist.

# Fehlerbehebung

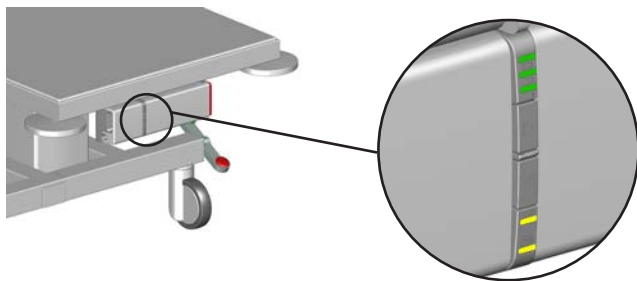
Problem	Ursache	Abhilfe
Kein Strom.	Akku entladen.	Laden Sie den Akku auf. Siehe „ <b>Akku laden</b> “.
Die mobile Ankleideliege ist in Schiefelage.	Die Hubsäulen sind ungleich ausgefahren.	Setzen Sie die Hubsäulen zurück. Siehe „ <b>Zurücksetzen</b> “.
Die Liege lässt sich nicht hochfahren bzw. absenken.	Entlädt sich eine statisch geladene Person in der Nähe des Schaltkastens der Liege, kann ein Fehler der Hubsäulen auftreten.	Setzen Sie die Hubsäulen zurück. Siehe „ <b>Zurücksetzen</b> “.

Falls sich das Problem nicht beheben lässt, wenden Sie sich an Pressalit A/S oder Ihren Händler vor Ort. Versuchen Sie nicht, das Produkt selbst zu reparieren, da hierdurch die Garantie erlischt.

Die erwartete Nutzungsdauer der mobilen Ankleideliege liegt bei 10 Jahren.

## LED-Systemanzeige

Die beiden gelben LEDs am internen Ladegerät zeigen den Systemstatus an.



LEDs	Ursache	Status	Abhilfe
	Not-Halt aktiviert	Der Duschwagen lässt sich nicht hochfahren bzw. absenken.	Heben Sie den Not-Halt auf. Siehe dazu „ <b>Aufheben des Not-Halts</b> “.
	Systemfehler	Der Duschwagen lässt sich nicht hochfahren bzw. absenken.	Setzen Sie die Hubsäulen zurück. Siehe „ <b>Zurücksetzen</b> “.
	Gerät überladen	Der Duschwagen lässt sich nicht hochfahren bzw. absenken.	Reduzieren Sie die Last.
	Nichteinhaltung des Betriebszyklus	Der Duschwagen lässt sich nicht hochfahren bzw. absenken.	Warten Sie, bis der Wagen bereit ist.
	Wartung erforderlich	Der Duschwagen ist noch funktionstüchtig.	Wenden Sie sich an Pressalit A/S oder Ihren Händler vor Ort.

de

# Entsorgung und Wiederverwertung

Das Produkt enthält wiederverwertbare Materialien. Die Entsorgung des Produkts ist mit keinen bekannten Gefahren oder Risiken verbunden. Alle Komponenten können entsorgt werden, nachdem sie gereinigt und desinfiziert wurden.

Wir empfehlen, das Produkt zur Entsorgung zu zerlegen und in die verschiedenen Abfallfraktionen für die Wiederverwertung oder Verbrennung zu trennen.

Die folgende Tabelle enthält weitere Angaben zur Wiederverwertung und Entsorgung des Produkts.

<b>Wiederverwertbare Komponenten</b>	<b>Material</b>
Stahl	Stahl kann durch Einschmelzen wiederverwertet werden und als Sekundärmaterial in die Produktion von Neustahl einfließen.
Kunststoff	Nutzen Sie die örtlich verfügbaren Trenn- und Recyclingsysteme. Ansonsten hat die Verbrennung von Kunststoff den zusätzlichen Vorteil, dass dabei Energie gewonnen wird, die beispielsweise für die kombinierte Erzeugung von Wärme und Strom genutzt werden kann.
Elektronik	Die elektronischen Komponenten müssen separat entsorgt und der entsprechenden Wiederverwertung zugeführt werden.

# Sommaire

Symboles utilisés dans ce manuel .....	80
Mesures de sécurité générales .....	82
Distances de sécurité .....	83
Usage prévu .....	85
Profil d'opérateur prévu .....	85
Profil d'utilisateur prévu .....	85
Environnement d'exploitation .....	85
Contre-indications liées à l'utilisation .....	86
Biocompatibilité .....	86
Inflammabilité .....	86
Mode d'emploi .....	87
Freins de sécurité .....	87
Supports latéraux .....	88
Réglage en hauteur .....	89
Réinitialisation .....	89
Arrêt d'urgence .....	90
Désactivation de l'arrêt d'urgence .....	90
Chargement de la batterie .....	91
Chargement des voyants LED .....	92
Accessoires .....	93
Matelas .....	93
Nettoyage .....	94
Compatibilité électromagnétique .....	95
Émissions électromagnétiques .....	95
Immunité électromagnétique .....	96
Étiquette du produit .....	97
Stockage et transport .....	99
Dépannage .....	99
Voyants LED du système .....	100
Mise au rebut et recyclage .....	101

# Symboles utilisés dans ce manuel

Les symboles qui suivent sont utilisés dans ce manuel ainsi que dans la documentation associée fournis avec le produit.



**AVERTISSEMENT** indique une situation potentiellement dangereuse susceptible d'entraîner la mort ou de graves blessures si elle n'est pas évitée.



**ATTENTION** indique une situation potentiellement dangereuse susceptible d'entraîner des blessures légères ou modérées si elle n'est pas évitée. Il peut également être utilisé pour alerter contre des pratiques dangereuses.



**IMPORTANT** indique des informations importantes sur la manipulation et l'utilisation du produit.



**REMARQUE** est utilisé pour aborder des pratiques non associées à la sécurité personnelle.



Avertissement de risque de blessure de la tête



Avertissement de risque de blessure à la main



Avertissement de risque de blessure aux organes génitaux



Avertissement de risque de blessure aux pieds





Ne pas laisser un patient sans surveillance.



Produits compatibles



Pièces de rechange



Poids maximal de l'utilisateur



Numéro d'article / versions



Poids du produit



Données électriques

## Mesures de sécurité générales



### AVERTISSEMENT

- Il est nécessaire de lire et de comprendre le manuel dans son intégralité avant d'utiliser le produit. Conserver le manuel près de l'unité.
- Respecter les instructions de ce manuel pour éviter tout accident impliquant de graves blessures corporelles.
- Ne jamais utiliser ou manipuler ce produit d'une autre manière que celle spécifiée dans ce manuel, car cela risquerait de mettre en danger votre sécurité et d'endommager le produit.
- Veiller à ce que toute personne devant installer ou utiliser le produit et ses systèmes dispose des informations nécessaires et puisse accéder à ce manuel.



### ATTENTION

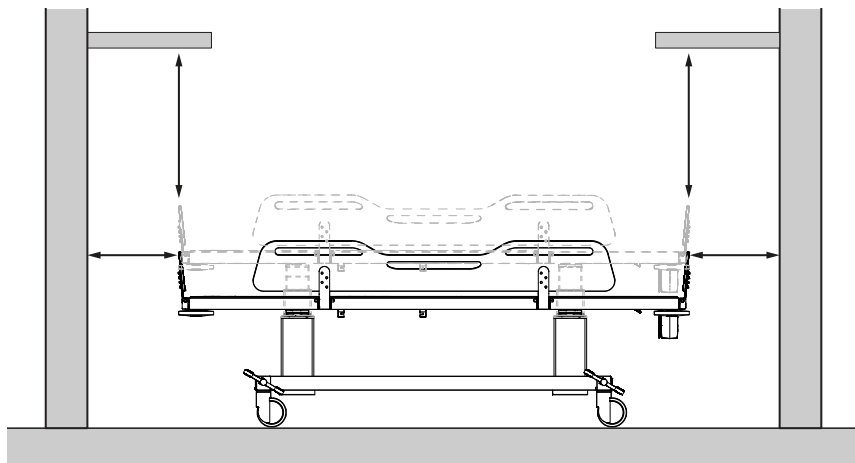
- Respecter ces instructions pour éviter d'endommager ou de détruire le produit.
- Ne pas procéder à des réparations, démontages, montages, extensions, réajustements ou modifications de ce produit. Ces opérations doivent être réalisées uniquement par Pressalit ou des personnes autorisées par Pressalit.
- Ne jamais permettre à des enfants d'utiliser ce produit, sauf sous surveillance. Le produit n'est pas destiné au jeu.
- Ne jamais utiliser le produit s'il est défectueux ou endommagé. Ne pas utiliser un produit défectueux avant de l'avoir fait réparer.







### REMARQUE

- Les informations contenues dans ce manuel reposent sur une installation correcte du produit selon la notice de montage.
- Pressalit ne saurait être tenu responsable en cas d'utilisation du produit autre que celle décrite dans le manuel.
- Nous nous réservons le droit de modifier ce manuel sans préavis.

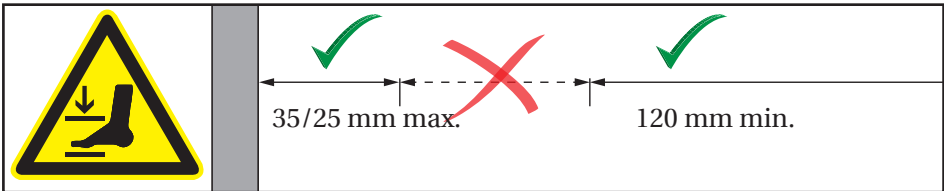
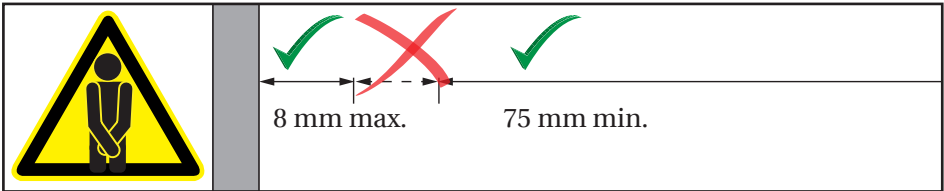
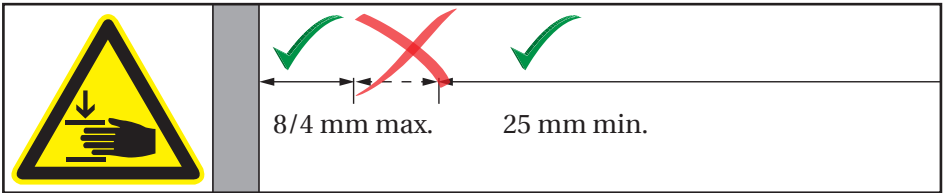
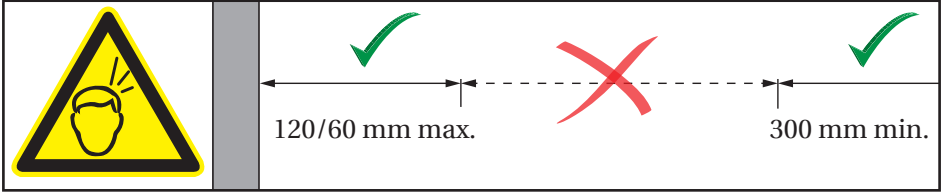
# Distances de sécurité

Assurez-vous que l'unité se trouve à une distance suffisante des objets environnants. Vérifiez les distances avant toute utilisation.



ISO 17966:2016		
	120 mm max. 300 mm min.	60 mm max. 300 mm min.
	8 mm max. 25 mm min.	4 mm max. 25 mm min.
	8 mm max. 75 mm min.	8 mm max. 75 mm min.
	35 mm max. 120 mm min.	25 mm max. 120 mm min.

fr



 **AVERTISSEMENT**

Si l'unité se déplace dans les limites des distances de sécurité, vous devez surveiller de très près les personnes et les objets environnants pour éviter tout risque d'écrasement.

## Usage prévu

Ce produit est conçu pour changer une personne qui n'est pas en mesure de tenir debout ou de s'asseoir. La personne est allongée horizontalement sur le chariot de change.

## Profil d'opérateur prévu

Seul le personnel formé aux soins de santé et/ou formé pour langer des personnes qui lui sont confiées doit utiliser ce produit.

## Profil d'utilisateur prévu

Le produit peut être utilisé par toute personne - adulte, enfant, adolescent, personne âgée - dont le poids ne dépasse pas la **charge maximale de 200 kg**.

## Environnement d'exploitation

Le chariot de change est prévu pour être utilisé à température ambiante dans les vestiaires publics, les écoles, les logements privés, les centres de jour/centres d'hébergement/maisons de retraite et hôpitaux, dans des conditions de fonctionnement normales.

Le chariot de change peut être utilisé dans des locaux secs mais il ne peut pas être utilisé comme table de douche dans les douches. Si l'humidité relative est supérieure à 70 %, la durée de vie prévue de l'unité sera considérablement réduite. Le chariot de change ne doit pas être exposé à des fumées chlorées.



**ATTENTION**

La surface du produit peut être chaude ou froide si elle est exposée à des sources externes de chaleur ou de froid telles que le soleil ou le gel.

**REMARQUE**

Tout incident grave survenu en lien avec le produit doit être signalé au fabricant et aux autorités sanitaires. Un incident grave est défini comme un incident qui entraîne la mort d'un patient, de l'utilisateur ou de toute autre personne ou qui provoque une détérioration temporaire ou permanente de la santé de la personne. Tout incident qui a entraîné ou qui pourrait entraîner un incident grave doit être signalé.

## **Contre-indications liées à l'utilisation**

Il n'est pas recommandé d'utiliser le chariot de douche et de change pour donner un bain aux femmes enceintes.

Il n'est pas conseillé d'utiliser le chariot de douche et de change pour donner un bain aux patients perfusés ou disposant d'une pompe à insuline, aux patients présentant des maladies inflammatoires de la peau ou aux patients fébriles.

Il est possible d'utiliser le chariot de douche et de change pour donner un bain aux patients souffrant d'insuffisance cardiaque, de maladies cardiovasculaires, de traumatismes crânio-cérébraux, de plaies ouvertes ou disposant de tubulures d'alimentation ou de drainage (par ex. cathéter, tube de drainage) uniquement après avoir consulté le médecin traitant.

Ne pas utiliser si le poids du patient dépasse 200 kg.

## **Biocompatibilité**

Les matériaux en contact avec la peau du patient ou de l'utilisateur lors de la procédure de changement ont été testés pour leur teneur en substances nocives conformément à la norme ISO 10993 Biocompatibilité, et sont donc considérés comme adaptés à cette fin.

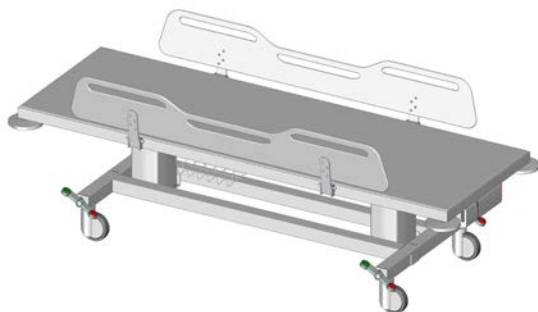
## **Inflammabilité**

Les matériaux du produit ont subi un test d'inflammabilité conformément à ISO 8191-1:1987 et ISO 8191-2:1988.

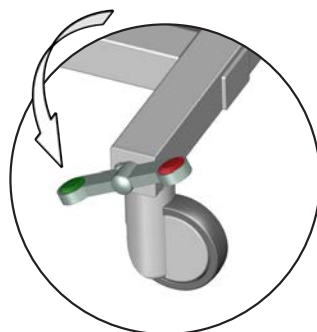
# Mode d'emploi

## Freins de sécurité

Afin d'empêcher tout mouvement involontaire, le chariot de change est équipé de freins de sécurité au niveau des quatre roues pivotantes.



**Pour verrouiller les freins :**  
appuyez avec votre pied sur le bouton rouge situé sur l'une des quatre pédales à bascule pour verrouiller les freins de toutes les roues.



**Pour déverrouiller les freins :**  
appuyez avec votre pied sur le bouton vert situé sur l'une des quatre pédales à bascule pour déverrouiller les freins de toutes les roues.

### **AVERTISSEMENT**

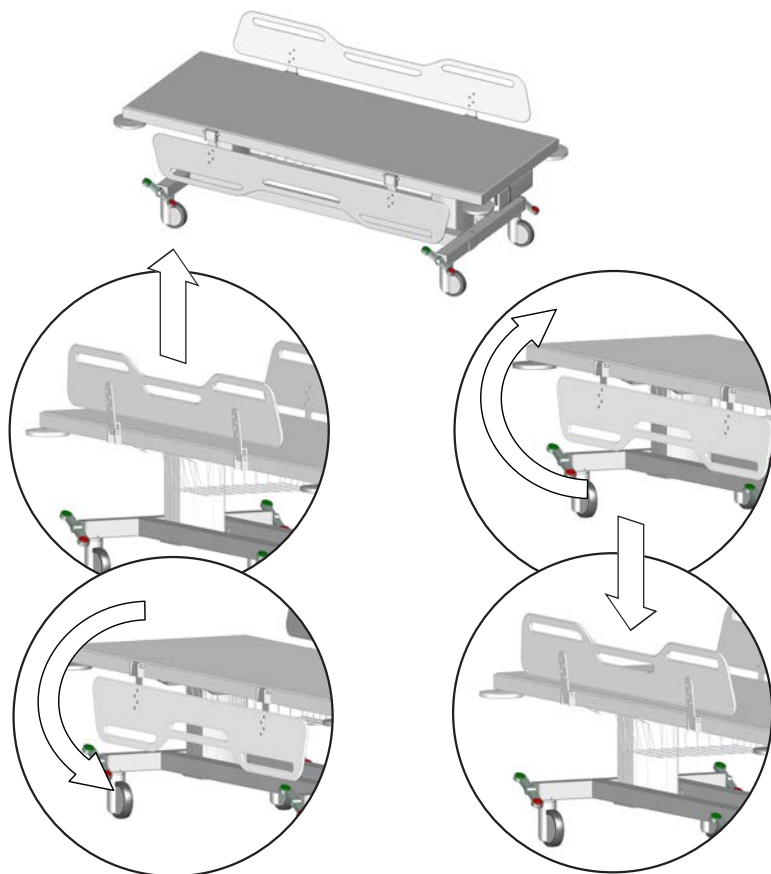
Assurez-vous toujours que les freins sont verrouillés lorsque vous montez ou descendez un patient du chariot de change.



**Ne pas laisser un patient sans surveillance.**

## Supports latéraux

Les supports latéraux peuvent être repliés individuellement vers le haut et vers le bas pour faciliter le transfert du patient.



**Pour replier vers le bas :** soulevez le support latéral vers le haut pour le déverrouiller et faites-le pivoter vers le bas.

**Pour replier vers le haut :** faites pivoter le support latéral et poussez-le pour le bloquer.

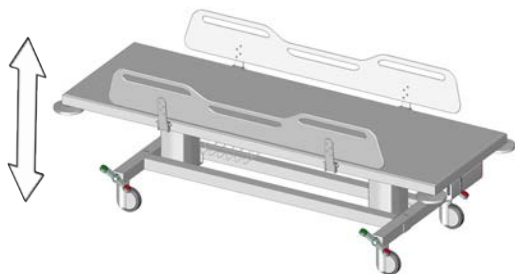


### AVERTISSEMENT

Lorsque le chariot est en cours d'utilisation, assurez-vous que tous les supports latéraux sont relevés et bloqués pour éviter toute chute du patient de l'unité.



## Réglage en hauteur



Le chariot de change peut être monté ou abaissé de 400 mm.

**Poids maximal de l'utilisateur :**  
**200 kg**

**Charge maximale :**  
**250 kg**

Le réglage de la hauteur s'effectue à l'aide de la télécommande filaire.



Appuyez sur la flèche du haut et maintenez-la enfoncée pour lever l'unité. Le mouvement s'arrête dès que vous relâchez la touche.



Appuyez sur la flèche du bas et maintenez-la enfoncée pour baisser l'unité. Le mouvement s'arrête dès que vous relâchez la touche.



**Pour éviter tout risque d'étranglement, assurez-vous que la télécommande filaire est placée dans son support lorsqu'elle n'est pas utilisée.**



**Attention au risque de blessure des mains, des pieds et de la tête à proximité de pièces mécaniques mobiles.**

fr

## Réinitialisation

Si la fonction d'élévation ne fonctionne pas correctement ou si les deux colonnes d'élévation ne sont pas synchronisées, essayez de réinitialiser le système d'élévation.



Appuyez sur les flèches du haut et du bas en même temps.

Les colonnes descendront après quelques secondes et vous entendrez un bip.

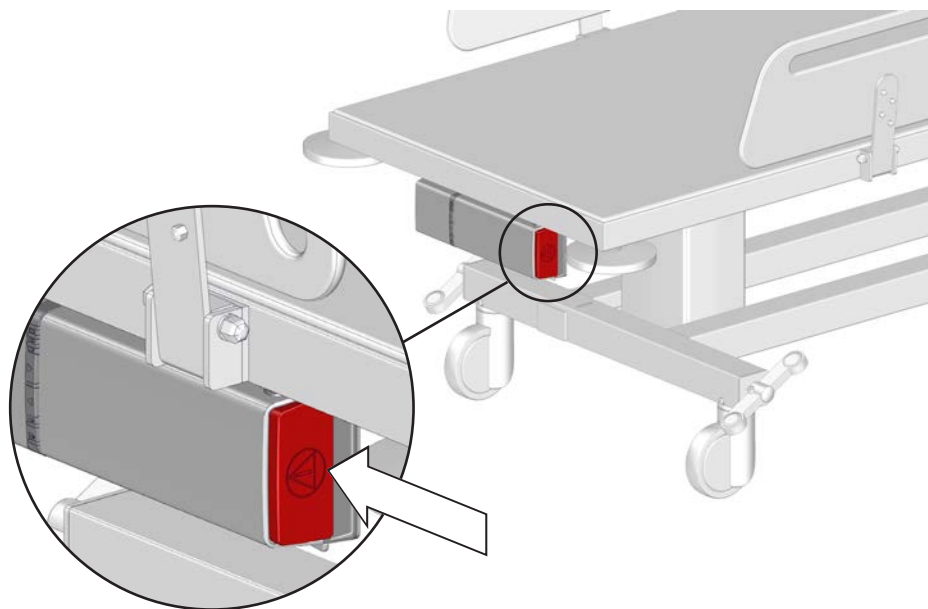


Maintenez les deux flèches enfoncées jusqu'à disparition du bip.

Les colonnes d'élévation sont désormais réinitialisées.

## Arrêt d'urgence

En cas d'urgence, appuyez sur le bouton d'arrêt d'urgence sur la batterie. Le mouvement vertical cessera immédiatement.



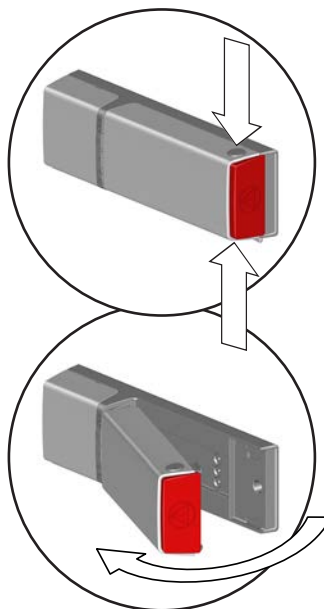
fr

## Désactivation de l'arrêt d'urgence

Appuyez sur les deux boutons-pression pour retirer la batterie.

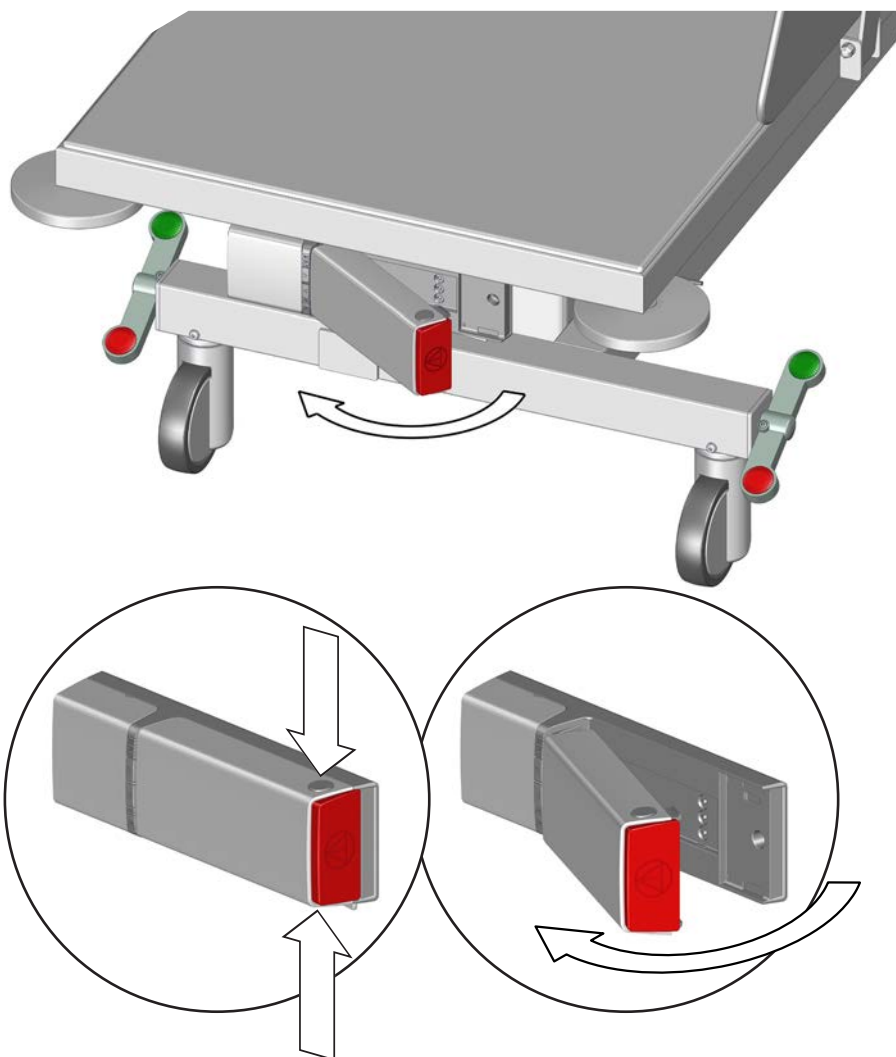
Remplacez la batterie. Assurez-vous que le verrou de la batterie est bien refermé.

L'arrêt d'urgence est désormais désactivé.

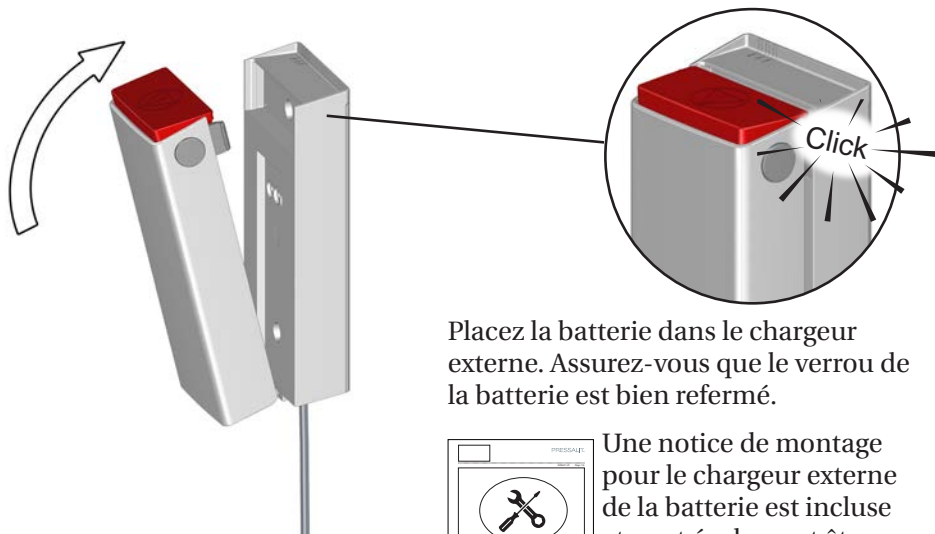


## Chargement de la batterie

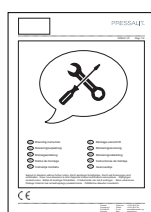
La batterie permet de régler en hauteur le chariot de douche et de change jusqu'à 30 fois lorsqu'elle est entièrement chargée.



Appuyez sur les deux boutons-poussoir pour retirer la batterie pour un chargement au niveau du chargeur externe.



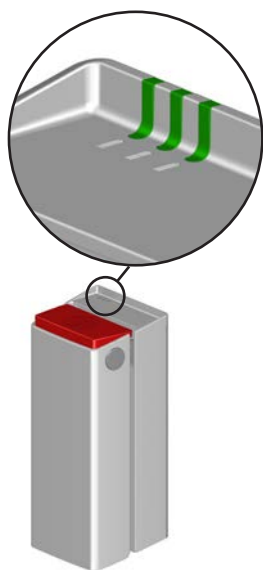
Placez la batterie dans le chargeur externe. Assurez-vous que le verrou de la batterie est bien refermé.



Une notice de montage pour le chargeur externe de la batterie est incluse et peut également être téléchargée sur [pressalit.com](http://pressalit.com).

## Chargement des voyants LED

Les trois LED du chargeur externe indiquent le niveau de chargement de la batterie.

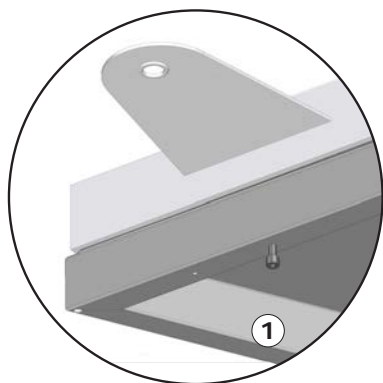
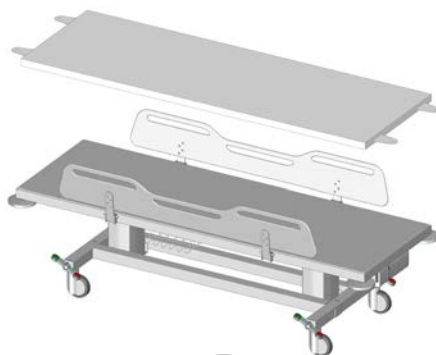


	Niveau de chargement
	90 - 100 %
	65 - 90 %
	40 - 65 %
	0 - 40 %
	Chargement interrompu en raison d'une température de batterie trop faible ou trop élevée ou d'autres conditions correspondant à une erreur
	Chargement interrompu en raison d'une perte de communication avec la batterie

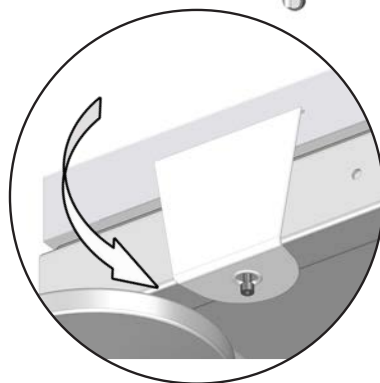
# Accessoires

## Matelas

Le matelas facultatif peut être placé sur le chariot de change pour profiter d'un confort optimal. S'agissant d'un matelas réversible, les deux côtés du matelas peuvent être utilisés.



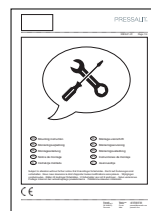
Desserrez les vis de verrouillage du matelas ① d'environ un centimètre.



Tirez les rabats vers le bas en les passant au-dessus de la vis. Procédez de même pour les quatre rabats.

Le produit doit être nettoyé à l'aide d'eau chaude ou d'un agent nettoyant légèrement savonneux. Vous trouverez une liste d'agents de nettoyage/désinfectants testés par Pressalit sur le site [pressalit.com](http://pressalit.com).

Une notice de montage est incluse avec le matelas et peut également être téléchargée sur [pressalit.com](http://pressalit.com).

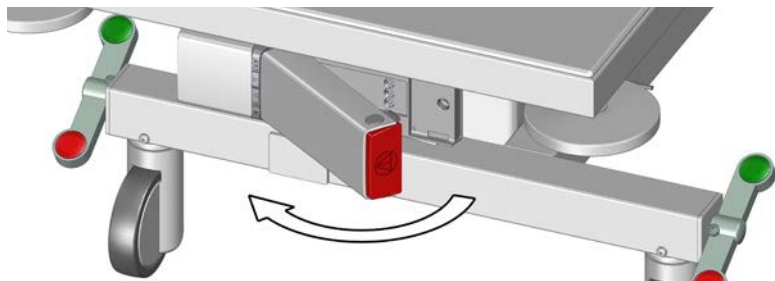


## IMPORTANT

Pour respecter les règles en matière d'hygiène, il est recommandé de vérifier régulièrement si des dommages ou des signes d'usure sont présents sur le matelas. Si des dommages sont détectés, ce dernier doit être remplacé immédiatement pour éviter tout risque de contamination ou d'infection.

# Nettoyage

Retirez la batterie avant de nettoyer le chariot de douche et de change.



Le produit doit être nettoyé à l'aide d'eau chaude ou d'un agent nettoyant légèrement savonneux. Vous trouverez une liste d'agents de nettoyage testés par Pressalit sur le site [pressalit.com](http://pressalit.com)

## **ATTENTION**

Toujours lire les fiches techniques de sécurité du matériel et les notices fournies de l'agent de nettoyage, de désinfection ou de détartrage, et respecter les instructions relatives à l'utilisation sécurisée, la dilution, le rinçage, le séchage, la manipulation et le stockage de l'agent.

## **IMPORTANT**

- Ne pas utiliser d'autoclave ou tout autre type de nettoyeur à vapeur.
- Éviter les agents de nettoyage agressifs contenant des acides.
- Ne jamais asperger le produit directement à l'aide d'un nettoyeur haute pression.
- Pour désinfecter la surface, des désinfectants peuvent être utilisés en tenant compte des caractéristiques et des précautions de sécurité liées à ces produits.

## **ATTENTION**

Ne procédez à aucun type de nettoyage ou de désinfection du chariot de douche et de change lorsque le patient est allongé dessus.

# Compatibilité électromagnétique



## AVERTISSEMENT

- L'usage d'accessoires, de transducteurs et de câbles autres que ceux spécifiés ou fournis par le fabricant risquent de provoquer une augmentation des émissions électromagnétiques ou une réduction de l'immunité électromagnétique de cet équipement et d'entraîner un fonctionnement inapproprié.
- Les équipements de communication à radiofréquence portables (y compris les périphériques comme les câbles d'antenne et antennes externes) ne doivent pas être utilisés à une distance de moins de 30 cm de toute pièce de l'unité, câbles compris, afin d'éviter tout risque de dégradation des performances de cette unité.
- Il convient d'éviter toute utilisation de cet équipement conjointement ou superposée avec d'autres équipements pouvant provoquer un fonctionnement inadéquat. Si une telle utilisation est inévitable, cet équipement et les équipements utilisés conjointement doivent être inspectés pour vérifier leur fonctionnement normal.

## Émissions électromagnétiques

<b>Norme de test</b>	<b>Niveau / détails du test</b>	<b>Résultats du test</b>
60601-1-2 ch. 7.1.7 - CISPR 14	30 MHz à 1 GHz	Réussite

fr

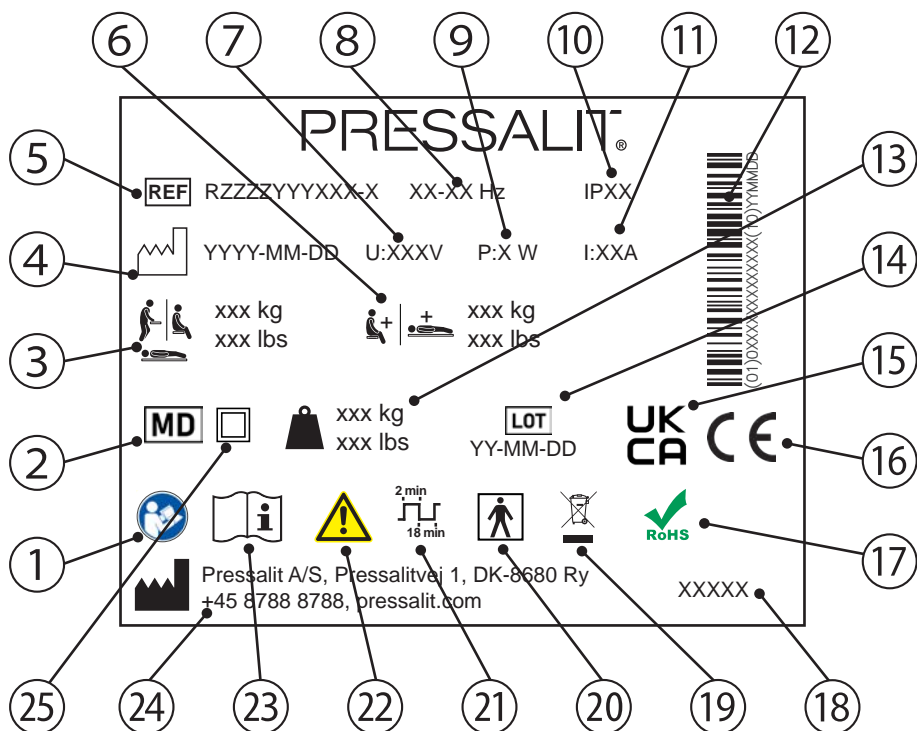
## Immunité électromagnétique

Norme de test	Niveau de conformité	Niveau / détails du test	Résultats du test
EN60601-1-2 et EN17966 (environnement de soins à domicile)	=> 10 V/m 2,7 GHz	15 V/m Gamme de fréquences : 80 MHz à 6 GHz échelon 1 %	Réussite
EN60601-1-2 (Champs de proximité des équipements de communication sans fil RF)	=> 10 V/m 2,7 GHz	15 V/m Gamme de fréquences : 385 à 5785 MHz	Réussite
CEI 61000-4-4 (Transitoires électriques rapides / rafales)		Simulation d'impulsions rapides	Réussite
Perturbations induites par les RF	Soumission à impulsions, 6 V	Soumission à impulsions, 10 V	Réussite
Décharge électrostatique		Décharge d'électricité statique émise par une personne sur l'unité, 8 kV et 15 kV	Réussite (*)

\* Si une décharge d'électricité statique est émise par une personne au niveau ou à proximité du boîtier de commande du chariot de douche, un dysfonctionnement peut se produire au niveau des colonnes d'élévation, et une réinitialisation doit être effectuée. Reportez-vous à « **Réinitialisation** ».



# Étiquette du produit



fr

① Consulter le manuel d'utilisation

② Dispositif médical

③ Poids maximal de l'utilisateur

④ Date de fabrication

⑤ Numéro d'article

⑥ Charge maximale

⑦ Tension de secteur

⑧ Fréquence

⑨ Consommation électrique maximum

⑩ Classe IP

---

⑪ Courant électrique

---

⑫ Code-barres GS1-128

---

⑬ Poids du produit

---

⑭ Code du lot

---

⑮ Conformité R.-U. évaluée

---

Ces produits portent la marque CE conformément aux exigences pertinentes de :

- Règlement (UE) 2017/745 (du 5 avril 2017) relatif aux dispositifs médicaux.

⑯

- La directive 2006/42/CE du Conseil (du 17 mai 2006) sur les machines.

- La directive 2011/65/UE du Conseil (du 8 juin 2011) dite RoHS.

Une déclaration de conformité est disponible sur [pressalit.com](http://pressalit.com)

---

⑰ Ce produit ne contient aucune des substances dangereuses mentionnées dans la Directive RoHS 2011/65/CE du Conseil.

---

⑱ Nom de produit (le cas échéant)

---

⑲ Ne pas le mettre au rebut sous forme de déchets municipaux non triés. Le produit doit être collecté séparément des autres déchets et renvoyé au service de recyclage désigné.

---

⑳ Pièce appliquée de type BF. Pièce du produit qui, dans des conditions normales d'utilisation, est obligatoirement en contact avec le patient pour remplir sa fonction. Le produit est conforme aux exigences de protection contre les chocs électriques de la norme CEI 60601-1.

---

㉑ Cycle de service

---

㉒ Consulter le manuel pour les mises en garde importantes telles que les avertissements et les précautions

---

㉓ Consulter le manuel d'utilisation

---

㉔ Nom et adresse du fabricant

---

㉕ Appareil électrique à double isolation

---

## Stockage et transport

- La température de stockage et de transport de l'unité doit être comprise entre 5 et 40 °C.
- L'unité doit toujours être transportée dans son emballage d'origine.
- Évitez de soumettre l'emballage à des chocs et des impacts.
- N'utilisez pas le produit si l'emballage est détérioré ou endommagé.

## Dépannage

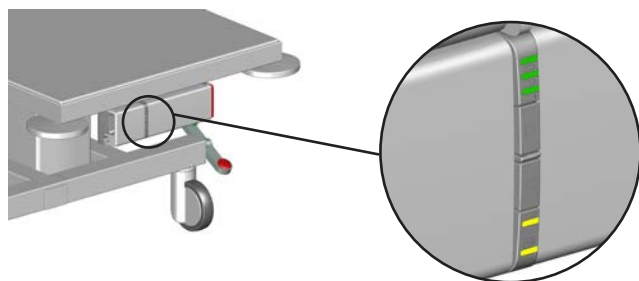
Problème	Cause	Mesure
Pas d'électricité.	Batterie déchargée.	Rechargez la batterie. Reportez-vous à « <b>Chargement de la batterie</b> ».
Le chariot de change est asymétrique.	Les colonnes d'élévation sont désynchronisées.	Réinitialisez les colonnes d'élévation. Reportez-vous à « <b>Réinitialisation</b> ».
Impossible de lever ou de baisser le chariot.	Si une décharge d'électricité statique est émise par une personne à proximité du boîtier de commande du chariot, un dysfonctionnement peut se produire au niveau des colonnes d'élévations.	Réinitialisez les colonnes d'élévation. Reportez-vous à « <b>Réinitialisation</b> ».






Contactez Pressalit A/S ou votre représentant local si vous ne parvenez pas à résoudre le problème. N'essayez pas de réparer vous-même le produit car cela annulerait la garantie.

La durée de vie prévue du chariot de change est de 10 ans.

## Voyants LED du système

Les deux LED jaunes du chargeur interne indiquent l'état du système.



LED	Cause	État	Mesure
	Arrêt d'urgence activé	Impossible de lever ou de baisser l'unité	Désactivez l'arrêt d'urgence. Reportez-vous à « <b>Désactivation de l'arrêt d'urgence</b> ».
	Erreur système	Impossible de lever ou de baisser l'unité	Réinitialisez les colonnes d'élévation. Reportez-vous à « <b>Réinitialisation</b> ».
	Unité surchargée	Impossible de lever ou de baisser l'unité	Réduisez la charge
	Protection de cycle de service	Impossible de lever ou de baisser l'unité	Attendez que l'unité soit prête
	Entretien nécessaire	L'unité fonctionne toujours	Contactez Pressalit A/S ou votre représentant local

## Mise au rebut et recyclage

L'unité contient des matériaux réutilisables. Il n'y a aucun risque connu associé à la mise au rebut du produit. Tous les composants peuvent être mis au rebut après avoir été nettoyés et désinfectés.

Lors de la mise au rebut du produit, nous recommandons de le démonter et de le décomposer en différents groupes de déchets en vue de leur recyclage ou incinération.

Le tableau suivant fournit des informations sur le recyclage et la manipulation du produit.

<b>Composants recyclables</b>	<b>Matériau</b>
Acier	L'acier peut être recyclé en étant fondu et inclus en tant que matériau secondaire dans la production d'acier nouveau.
Plastique	Utilisez les systèmes locaux de tri et de recyclage des matières synthétiques. Alternativement, l'incinération des matières synthétiques présente l'avantage de générer de l'énergie qui peut être utilisée, par exemple, pour la production combinée de chaleur et d'électricité.
Composants électroniques	Les composants électroniques doivent être collectés séparément des autres déchets et renvoyés au service de recyclage désigné.

# Inhoud

Symbolen die in deze handleiding .....	103
Algemene veiligheid .....	105
Veiligheidsafstand .....	106
Beoogd gebruik .....	108
Profiel van beoogde bediener .....	108
Profiel van beoogde gebruiker .....	108
Gebruiksomgeving .....	108
Contra-indicaties voor gebruik .....	109
Biocompatibiliteit .....	109
Brandbaarheid .....	109
Gebruiksaanwijzingen .....	110
Veiligheidsremmen .....	110
Zijsteunen .....	111
Hoogteafstelling .....	112
Resetten .....	112
Noodstop .....	113
De noodstop ontgrendelen .....	113
De accu opladen .....	114
Ledindicatoren voor opladen .....	115
Accessoires .....	116
Matras .....	116
Reinigen .....	117
Elektromagnetische compatibiliteit .....	118
Elektromagnetische emissie .....	118
Elektromagnetische immuniteit .....	119
Productlabel .....	120
Opslag en transport .....	122
Probleemoplossing .....	122
Systeemled-indicatoren .....	123
Afvoer en recycling .....	124

# Symbolen in deze handleiding

De volgende symbolen worden gebruikt in deze handleiding en de bijbehorende documentatie die met het product is meegeleverd.

## **WAARSCHUWING**

**WAARSCHUWING** geeft een mogelijk gevaarlijke situatie aan die, indien niet vermeden, kan leiden tot overlijden of ernstig letsel.

## **LET OP**

**LET OP** geeft een mogelijk gevaarlijke situatie aan die, indien niet vermeden, kan leiden tot licht of matig letsel. 'Let op' kan ook worden gebruikt om de gebruiker te waarschuwen voor onveilige praktijken.

## **BELANGRIJK**

**BELANGRIJK** geeft belangrijke informatie aan over het hanteren en gebruiken van het product.

## **OPMERKING**

**OPMERKING** wordt gebruikt om praktijken aan te duiden die geen betrekking hebben op de persoonlijke veiligheid.



Waarschuwing voor hoofdletsel



Waarschuwing voor handletsel



Waarschuwing voor letsel aan  
genitaliën



Waarschuwing voor letsel aan  
voeten



Laat de patiënt nooit zonder toezicht achter.



Compatibele producten



Reserve-onderdelen



Max. gewicht gebruiker



Artikelnummer/-uitvoeringen



Gewicht van product



Elektrische gegevens



# Algemene veiligheid



## WAARSCHUWING

- Lees de handleiding vóór gebruik volledig door en zorg dat u deze begrijpt. Houd de handleiding in de buurt van de eenheid.
- Houd u aan deze handleiding om ongelukken met ernstig persoonlijk letsel te voorkomen.
- Gebruik of hanteer dit product nooit op een andere manier dan in deze handleiding staat beschreven, omdat dit uw veiligheid in gevaar kan brengen en schade aan het product kan veroorzaken.
- Zorg ervoor dat iedereen die het product en de bijbehorende systemen gaat plaatsen of gebruiken, is voorzien van de benodigde informatie en toegang heeft tot deze handleiding.



## LET OP

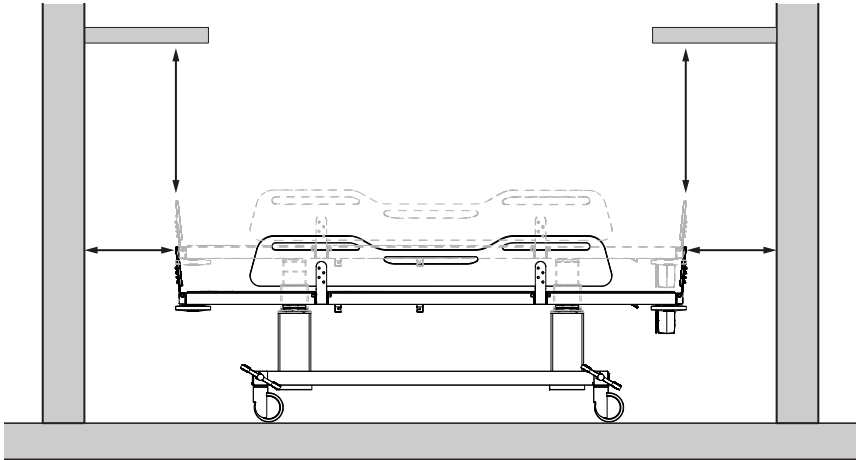
- Volg deze instructies op om te voorkomen dat het product wordt beschadigd of vernietigd.
- Voer geen reparaties, (de)montagewerkzaamheden, uitbreidingen, afstellingen of aanpassingen uit met betrekking tot dit product. Deze werkzaamheden mogen uitsluitend worden uitgevoerd door Pressalit of door personen die door Pressalit zijn gemachtigd.
- Kinderen mogen nooit zonder toezicht dit product bedienen. Dit product is geen speelgoed.
- Gebruik dit product nooit als het defect of beschadigd is. Gebruik het product niet voordat het is gerepareerd.







## OPMERKING

- De informatie in deze handleiding is gebaseerd op een juiste passing van het product conform onze montage-instructies.
- Pressalit is niet aansprakelijk wanneer het product wordt gebruikt op een manier die afwijkt van de in de gids beschreven manier.
- We behouden ons het recht voor deze handleiding aan te passen zonder voorafgaande kennisgeving.

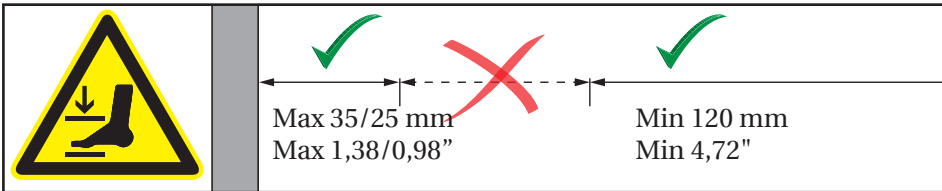
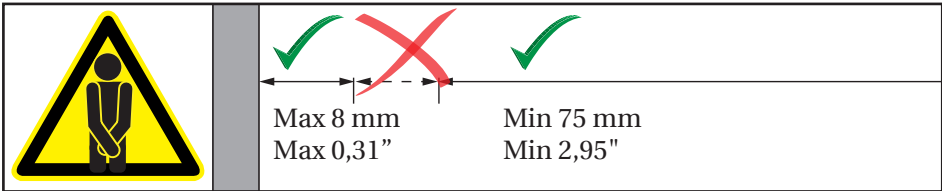
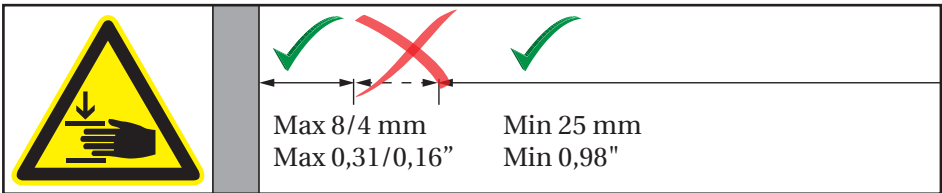
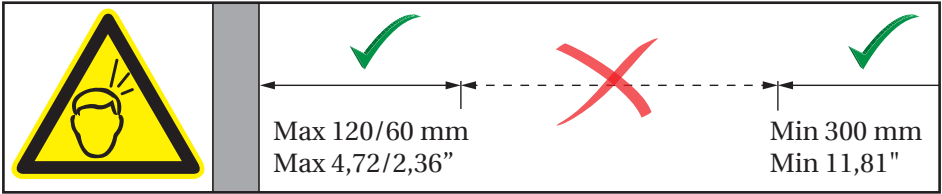
# Veiligheidsafstand

Zorg voor voldoende afstand tussen het apparaat en omringende voorwerpen. Controleer vóór gebruik de afstanden.



ISO 17966:2016		
	Max 120 mm (4,72") Min 300 mm (11,81")	Max 60 mm (2,36") Min 300 mm (11,81")
	Max 8 mm (0,31") Min 25 mm (0,98")	Max 4 mm (0,16") Min 25 mm (0,98")
	Max 8 mm (0,31") Min 75 mm (2,95")	Max 8 mm (0,31") Min 75 mm (2,95")
	Max 35 mm (1,38") Min 120 mm (4,72")	Max 25 mm (0,98") Min 120 mm (4,72")

nl



 **WAARSCHUWING**

Als het apparaat zich binnen de veiligheidsafstanden beweegt, moet u bijzonder goed op de omringende personen en voorwerpen letten om beknellingsgevaar te voorkomen.

# Beoogd gebruik

Dit product is bedoeld voor het aankleden van een persoon die niet zelf kan staan of zitten. De persoon ligt horizontaal op de aankleedtafel.

## Profiel van beoogde bediener

Alleen personeel dat is getraind in de gezondheidszorg en/of in het aankleden van iemand voor wie hij of zij zorg draagt, mag dit product gebruiken.

## Profiel van beoogde gebruiker

Het product kan door iedereen – volwassenen, kinderen, jongeren, ouderen – met een **maximaal lichaamsgewicht van 200 kg** worden gebruikt.

## Gebruiksomgeving

De aankleedtafel is bedoeld om bij kamertemperatuur te worden gebruikt in openbare omkleedruimtes, scholen, woningen, woonvoorzieningen, verpleeghuizen en ziekenhuizen onder normale bedrijfsomstandigheden. De aankleedtafel kan alleen worden gebruikt in droge ruimten en niet als douchebrancard in douches. Als de relatieve luchtvochtigheid hoger dan 70% is, wordt de levensduur van het apparaat aanzienlijk verminderd. De aankleedtafel mag niet worden blootgesteld aan dampen die chloor bevatten.



**LET OP**

Het oppervlak van het product kan heet of koud worden als het wordt blootgesteld aan externe warmte- of koudebronnen zoals zonlicht of vorst.

**OPMERKING**

Ieder serieus incident dat heeft plaats gevonden in relatie tot het product dient te worden gemeld aan de fabrikant en de gezondheidskundige autoriteiten. Een serieus incident is een incident dat leidt tot overlijden van een patiënt, gebruiker of elk ander persoon, of dat leidt tot een tijdelijke of permanente aantasting aan de gezondheid van de betreffende persoon. Elk incident dat heeft geresulteerd in of zou kunnen resulteren in een serieus incident moet worden gemeld.

## **Contra-indicaties voor gebruik**

Het wordt afgeraden om zwangere vrouwen te laten douchen op de douchebrancard.

Het wordt afgeraden om patiënten met een infuus- of insulinepomp, ontstekingsziekten van de huid of patiënten met koorts te laten douchen op de douchebrancard.

Patiënten met hartinsufficiëntie, hart- en vaatziekten, hersenletsel, open wonden, voedingsinfusen of drains (bijv. katheter, drainageslang) mogen pas na overleg met de behandelend arts op de douchebrancard worden gedoucht.

Niet gebruiken bij een patiënt die zwaarder is dan 200 kg.

## **Biocompatibiliteit**

De materialen die tijdens het aankleden in contact komen met de huid van de patiënt of de gebruiker, zijn getest op hun gehalte aan schadelijke stoffen volgens de norm EN ISO 10993 betreffende biocompatibiliteit en worden daarom geschikt geacht voor dit doel.

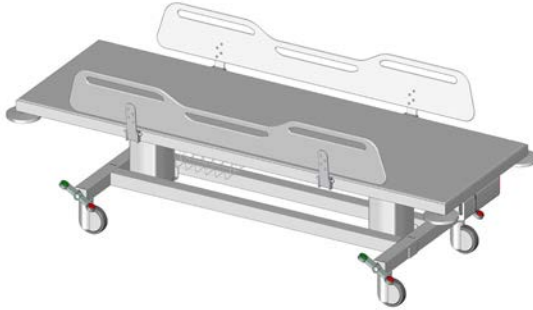
## **Brandbaarheid**

De productmaterialen zijn getest op brandbaarheid in overeenkomst met ISO 8191-1:1987 en ISO 8191-2:1988.

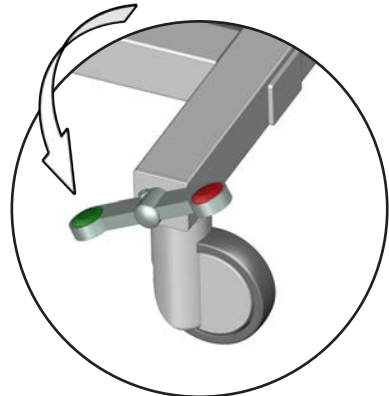
# Gebruiksaanwijzing

## Veiligheidsremmen

De aankleedtafel is voorzien van veiligheidsremmen op alle vier de zwenkwielen, zodat hij niet onbedoeld kan weggrollen.



**De remmen vergrendelen:** Druk op de rode knop op één van de vier schakelpedalen om de remmen van alle vier de wielen te vergrendelen.



**De remmen ontgrendelen:** Druk op de groene knop op één van de vier schakelpedalen om de remmen van alle vier de wielen te ontgrendelen.

 **WAARSCHUWING**

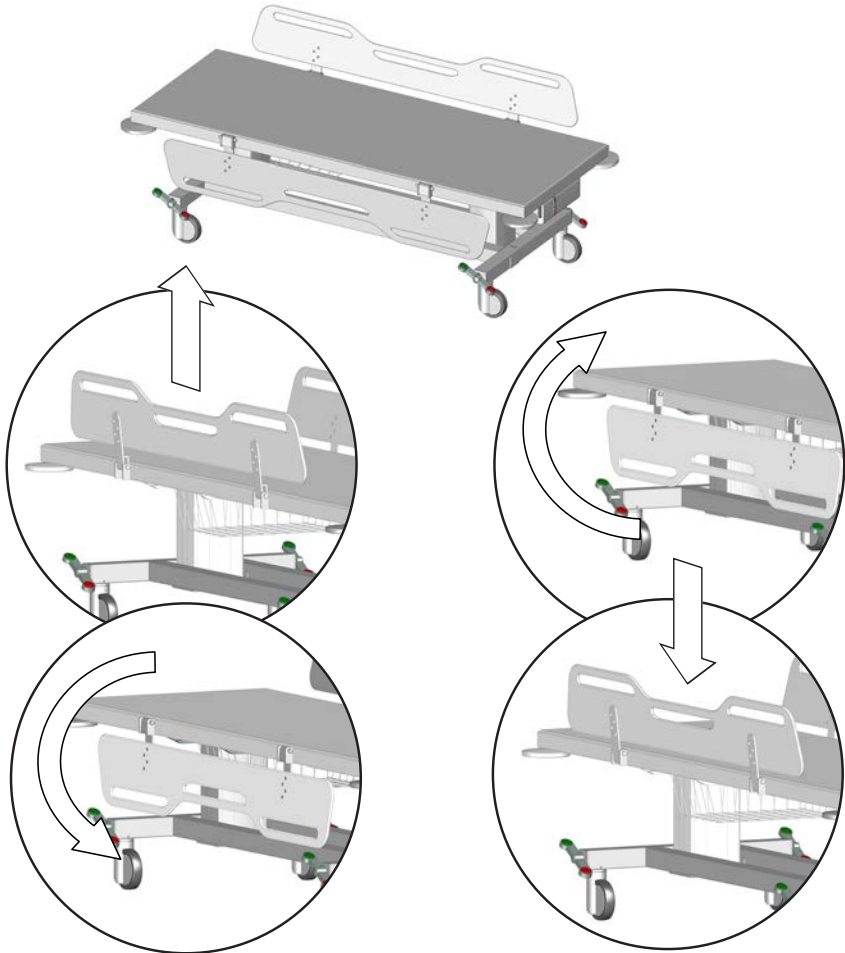
Zorg er altijd voor dat de remmen vergrendeld zijn als u een patiënt op de aankleedtafel legt of ervan afhaalt.



**Laat de patiënt nooit zonder toezicht achter.**

## Zijsteunen

De zijsteunen kunnen afzonderlijk omhoog en omlaag geklapt worden zodat de patiënt eenvoudig vervoerd kan worden.



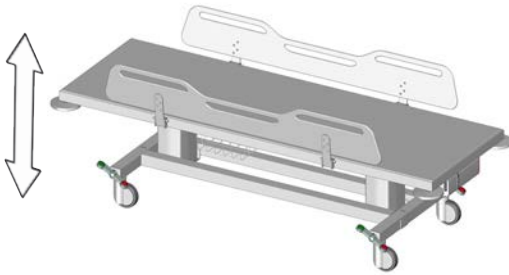
**Neerklappen:** Til de zijsteun naar boven om hem te ontgrendelen en zwaai hem naar beneden.

**Omhoogklappen:** Zwaai de zijsteun omhoog en duw hem naar beneden om hem vast te zetten.

 **WAARSCHUWING**

Als de tafel in gebruik is, zorg er dan voor dat alle zijsteunen rechtop staan en vergrendeld zijn, zodat de patiënt niet van de tafel kan vallen.

## Hoogteafstelling





De aankleedtafel kan 400 mm omhoog of omlaag worden veresteld.

**Max. gewicht gebruiker:  
200 kg**

**Max. belastbaarheid:  
250 kg**

De hoogteafstelling kan worden geregeld met de bedrade afstandsbedienings-eenheid.



	Druk op de knop Omhoog en houd deze ingedrukt om de tafel omhoog te brengen. De tafel stopt met bewegen wanneer u de knop loslaat.
	Druk op de knop Omlaag en houd deze ingedrukt om de tafel naar beneden te brengen. De tafel stopt met bewegen wanneer u de knop loslaat.



**Om het risico op wurging te voorkomen, dient u ervoor te zorgen dat de bedrade afstandsbediening in de houder wordt geplaatst wanneer deze niet wordt gebruikt.**



**Wees voorzichtig om letsel aan uw handen, voeten en hoofd te voorkomen wanneer u zich in de buurt bevindt van bewegende mechanische onderdelen.**

## Resetten

Als de heffunctie niet goed werkt of als de twee hefkolommen niet synchroon lopen, probeer dan het hefsysteem te resetten.

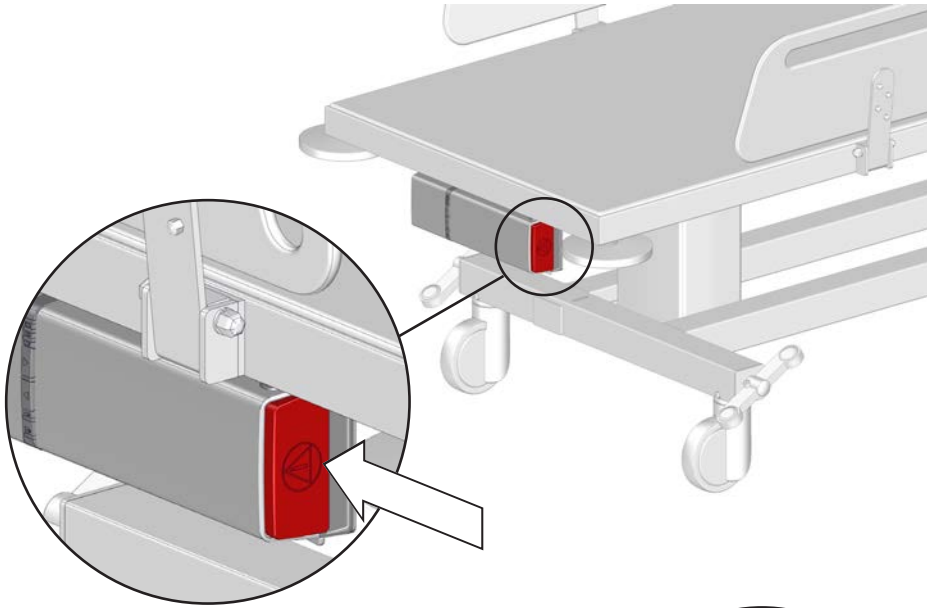


Houd de knop Omhoog en de knop Omlaag tegelijkertijd ingedrukt.  
De kolommen zullen na een paar seconden naar beneden gaan terwijl er een pieptoon klinkt.  
Houd beide knoppen ingedrukt tot de pieptoon verdwijnt.  
De hefkolommen worden nu gereset.



## Noodstop

Druk bij een noodgeval op de noodstop op de accu. De beweging naar boven of beneden stopt onmiddellijk.

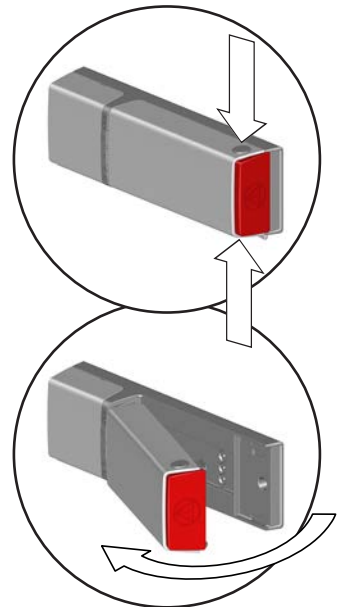


## De noodstop ontgrendelen

Druk op de twee drukknoppen om de accu te verwijderen.

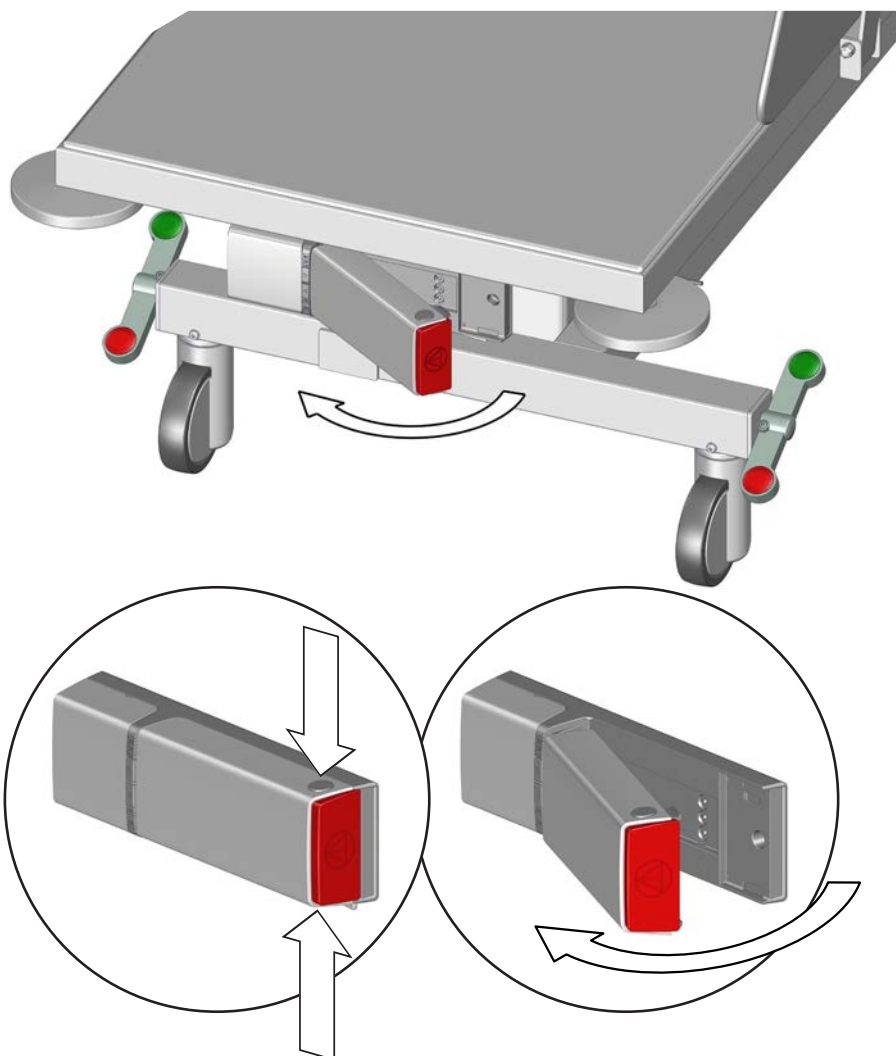
Plaats de accu terug. Zorg ervoor dat de accuvergrendeling vastklikt.

De noodstop is nu ontgrendeld.

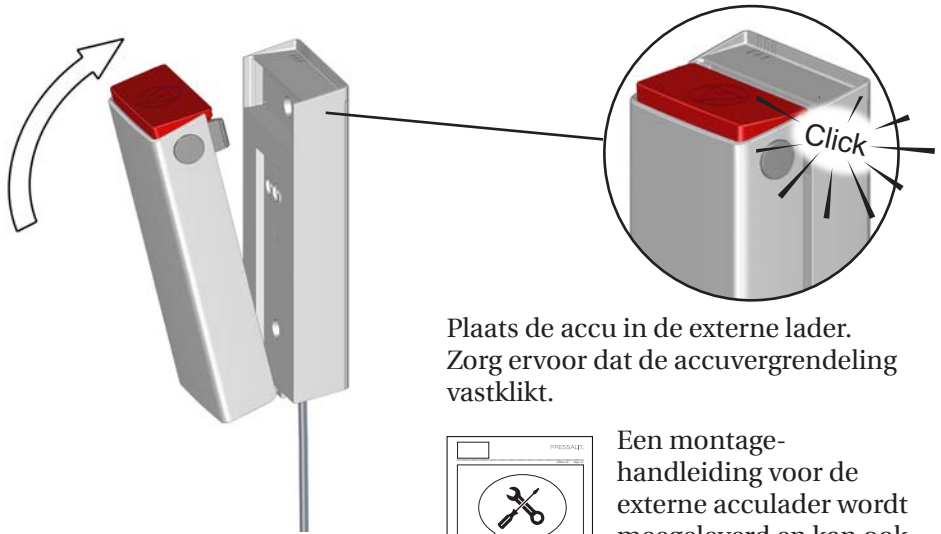


## De accu opladen

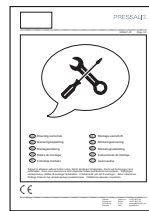
De accu kan de douchebrancard tot 30 keer in hoogte verstellen als deze volledig is opgeladen.



Druk op de twee drukknoppen om de accu te verwijderen en op te laden in de externe lader.



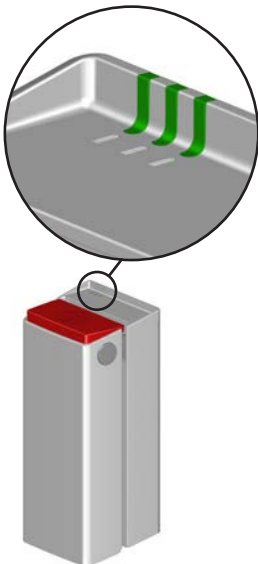
Plaats de accu in de externe lader. Zorg ervoor dat de accuvergrendeling vastklikt.



Een montagehandleiding voor de externe acculader wordt meegeleverd en kan ook worden gedownload op [pressalit.com](http://pressalit.com).

## Ledindicatoren voor opladen

De drie leds op de externe lader geven de laadstatus van de accu aan.

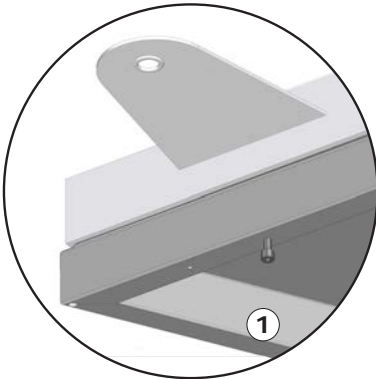
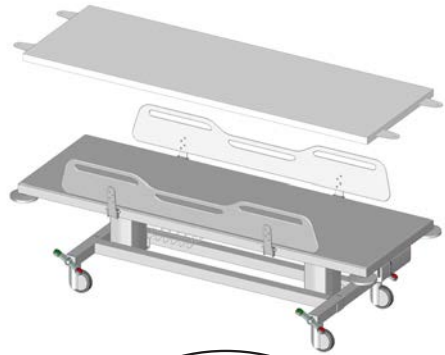


	<b>Laadstatus</b>
	90-100%
	65-90%
	40-65%
	0-40%
	Opladen onderbroken vanwege lage accutemperatuur, hoge accutemperatuur of andere fouten
	Opladen onderbroken vanwege verbroken communicatie met accu

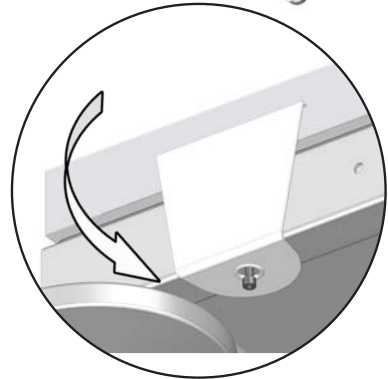
# Accessoires

## Matras

Het optionele matras kan op de aankleedtafel worden geplaatst voor optimaal comfort. Beide zijden van het matras kunnen worden gebruikt, omdat het omkeerbaar is.



Schroef de borgschroef voor het matras ① ongeveer een centimeter los.

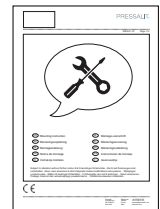


Trek de matrasflap naar beneden over de schroef. Doe hetzelfde met alle vier de flappen.

nl

Het product dient met warm water of een mild reinigingsmiddel te worden gereinigd. Een lijst met geschikte reinigingsmiddelen/desinfectiemiddelen die zijn getest door Pressalit vindt u op [pressalit.com](http://pressalit.com).

Een montagehandleiding wordt bij het matras meegeleverd en kan ook worden gedownload op [pressalit.com](http://pressalit.com).

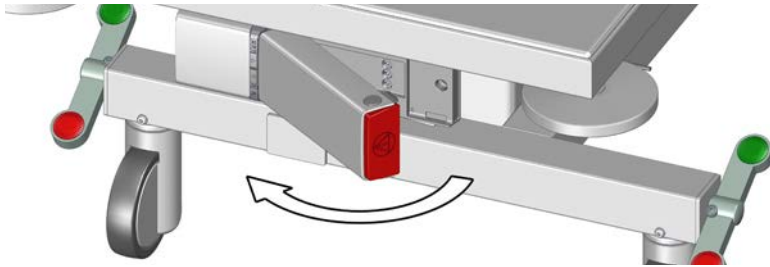


## BELANGRIJK

Met het oog op de hygiëne wordt het aanbevolen om regelmatig te controleren op zichtbare schade of tekenen van slijtage op het matras. Als er schade wordt aangetroffen, moet de hoofdsteen onmiddellijk vervangen worden om risico op besmetting of infectie te voorkomen.

# Reinigen

Verwijder de accu voordat u de douchebrancard reinigt.



Het product dient met warm water of een mild reinigingsmiddel te worden gereinigd. Een lijst met geschikte reinigingsmiddelen die zijn getest door Pressalit vindt u op [pressalit.com](http://pressalit.com)

## ! LET OP

Lees altijd het veiligheidsinformatieblad (MSDS) en de geleverde instructies voor het reinigings-, desinfectie- of ontkalkingsmiddel en volg alle instructies voor veilig gebruik, verdunnen, spoelen, drogen, hanteren en opslag van het middel op.

## BELANGRIJK

- Gebruik geen autoclaaf of een andere stoomreiniger.
- Vermijd het gebruik van agressieve reinigingsmiddelen die zuur bevatten.
- Spuit nooit rechtstreeks met een hogedrukspuit op het product.
- Voor het desinfecteren van het oppervlak mogen desinfectiemiddelen op basis van chloor worden gebruikt volgens de productspecificatie en veiligheidsvoorschriften voor deze producten.

## ! LET OP

Voer geen enkele vorm van reiniging of desinfectie van de douchebrancard uit terwijl de patiënt erop ligt.

# Elektromagnetische compatibiliteit

## **WAARSCHUWING**

- Het gebruik van andere accessoires, omzeters en kabels dan die welke door de fabrikant zijn gespecificeerd of geleverd, kan resulteren in verhoogde elektromagnetische emissies of verminderde elektromagnetische immuiniteit van deze apparatuur en een onjuiste werking tot gevolg hebben.
- Draagbare RF-communicatieapparatuur (met inbegrip van randapparatuur zoals antennekabels en externe antennes) mag niet dichter dan 30 cm bij enig deel van het apparaat met inbegrip van de kabels, worden gebruikt om verslechtering van de prestaties van dit apparaat te voorkomen.
- Het gebruik van deze apparatuur naast of gestapeld op andere apparatuur dient te worden vermeden omdat dit kan leiden tot een onjuiste werking. Indien gebruik op deze wijze noodzakelijk is, moeten deze apparatuur en de andere apparatuur worden gecontroleerd om na te gaan of deze normaal functioneren.

## Elektromagnetische emissie

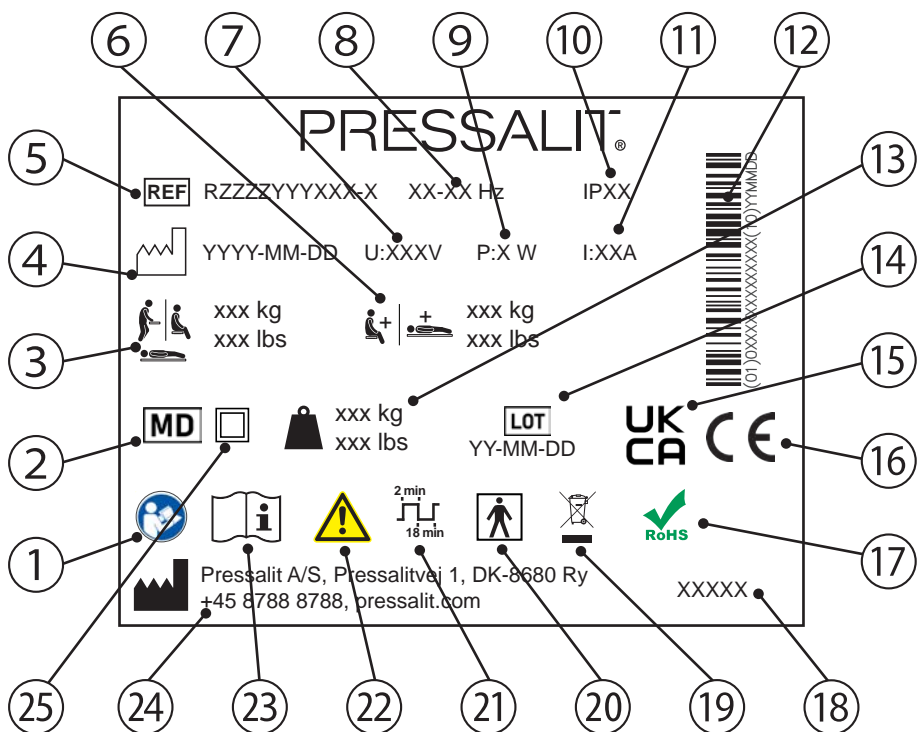
<b>Testnorm</b>	<b>Testniveau/-details</b>	<b>Testresultaten</b>
60601-1-2 hfdst. 7.1.7 - CISPR 14	30 MHz - 1 GHz	Geslaagd

## Elektromagnetische immuniteit

Testnorm	Nalevings-niveau	Testniveau/-details	Test-resultaten
EN60601-1-2 en EN17966 (Thuiszorg-omgeving)	=> 10 V/m 2,7 GHz	15 V/m Frequentiebereik: 80 MHz - 6 GHz 1% stapgrootte	Geslaagd
EN60601-1-2 (Nabijheidsvelden van draadloze RF-communicatie-apparatuur)	=> 10 V/m 2,7 GHz	15 V/m Frequentiebereik: 385-5785 MHz	Geslaagd
IEC 61000-4-4 (Snelle elektrische transiënten / lawines)		Snelle pulssimulatie	Geslaagd
Geleide storingen veroorzaakt door RF	Pulsonderdrukking, 6V	Pulsonderdrukking, 10V	Geslaagd
Elektrostatische ontlading		Ontlading van statisch geladen persoon op apparaat, 8 kV en 15 kV	Geslaagd (*)

\* Als een statisch geladen persoon op of in de buurt van de bedieningseenheid van de douchebrancard ontladst, kan er een storing in de hefkolommen optreden en dient er een reset uitgevoerd te worden. Zie "**Resetten**".

# Productlabel



1 Raadpleeg de gebruikshandleiding

2 Medisch hulpmiddel

3 Maximaal gewicht van gebruiker

4 Fabricagedatum

5 Artikelnummer

6 Max. belastbaarheid

7 Netspanning

8 Frequentie

9 Maximaal stroomverbruik



⑩ IP-klasse

---

⑪ Elektrische stroom

---

⑫ GS1-128-barcode

---

⑬ Gewicht van product

---

⑭ Batchcode

---

⑮ VK Conformiteitsbeoordeling

---

Deze producten dragen de CE-markering in overeenstemming met de relevante vereisten in:

- Verordening (EU) 2017/745 (van 5 april 2017) betreffende medische hulpmiddelen.
- ⑯ Richtlijn 2006/42/EG van de Raad (van 17 mei 2006) betreffende machines.
- Richtlijn 2011/65/EG van de Raad (van 8 juni 2011) betreffende RoHS.

De conformiteitsverklaring kan worden gevonden op [pressalit.com](http://pressalit.com)

⑰ Dit product bevat geen van de gevaarlijke stoffen die worden vermeld in Europese richtlijn 2011/65/EG betreffende RoHS.

---

⑱ Productnaam (indien aanwezig)

---

⑲ Niet afvoeren met het ongesorteerd huishoudelijk afval. Het product moet afzonderlijk worden ingezameld en worden geretourneerd aan een speciale recyclingdienst.

---

⑳ Toegepast onderdeel van het product type BF bij normaal gebruik noodzakelijkerwijs in contact met het lichaam van de patiënt. Het product voldoet aan de vereisten van IEC 60601-1 betreffende het bieden van bescherming tegen elektrische schokken.

---

㉑ Levenscyclus

---

㉒ Raadpleeg de handleiding voor belangrijke waarschuwingeninformatie, zoals waarschuwingen en voorzorgsmaatregelen.

---

㉓ Raadpleeg de gebruikshandleiding

---

㉔ Naam en adres van fabrikant

---

㉕ Dubbel geïsoleerd elektrisch apparaat

---

## Opslag en transport

- De temperatuur voor transport en opslag van het apparaat moet tussen de 5 en 40 graden Celsius zijn.
- Het apparaat dient altijd in de originele verpakking te worden getransporteerd.
- Stel de verpakking niet bloot aan schokken en stoten.
- Gebruik het product niet als de verpakking kapot of beschadigd is.

## Probleemoplossing

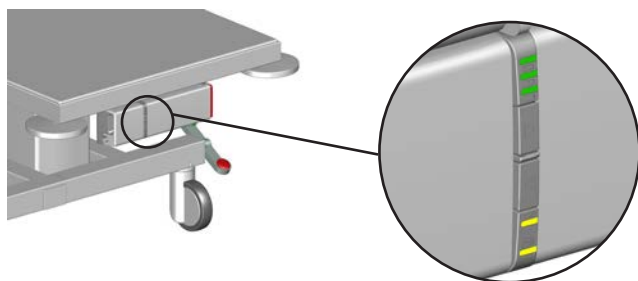
Symptoom	Oorzaak	Actie
Geen stroom.	De accu is leeg.	Laad de accu op. Zie " <b>De accu opladen</b> ".
De aankleedtafel is scheef.	De hefkolommen zijn niet synchroon.	Reset de hefkolommen. Zie " <b>Resetten</b> ".
De tafel kan niet omhoog of omlaag worden bewogen.	Als een statisch geladen persoon in de buurt van de bedieningseenheid van de tafel ontlaadt, kan er een storing in de hefkolommen optreden.	Reset de hefkolommen. Zie " <b>Resetten</b> ".

Neem contact op met Pressalit A/S of uw plaatselijke dealer als het probleem niet kan worden verholpen. Probeer niet zelf het product te repareren, omdat de garantie hierdoor komt te vervallen.

De verwachte levensduur van de aankleedtafel is 10 jaar.

## Systemled-indicatoren

De twee gele leds op de interne lader geven de systeemstatus aan.



Leds	Oorzaak	Status	Actie
	Noodstop geactiveerd	De eenheid kan niet omhoog of omlaag worden bewogen	Ontgrendel de noodstop. Zie " <b>De noodstop ontgrendelen</b> "
	Systeemfout	De eenheid kan niet omhoog of omlaag worden bewogen	Reset de hefkolommen. Zie " <b>Resetten</b> "
	Eenheid overbelast	De eenheid kan niet omhoog of omlaag worden bewogen	Verminder de last
	Levenscyclus-bescherming	De eenheid kan niet omhoog of omlaag worden bewogen	Wacht tot de eenheid klaar is
	Onderhoud nodig	De eenheid functioneert nog	Neem contact op met Pressalit A/S of uw plaatselijke dealer

nl

# Afvoer en recycling

De eenheid bevat herbruikbare materialen. Er zijn geen bekende gevaren of risico's gekoppeld aan het afvoeren van het product. Alle onderdelen kunnen na reiniging en desinfectie worden afgevoerd.

We raden u aan het product bij afvoer te demonteren en onder te verdelen in afvalgroepen voor recycling of verbranding.

De volgende tabel biedt informatie over het recyclen en hanteren van het product.

<b>Recyclebare onderdelen</b>	<b>Materiaal</b>
Staal	Staal kan worden gerecycled door het te smelten en te gebruiken als secundair materiaal bij de productie van nieuw staal.
Kunststof	Gebruik sorteer- en recyclingsystemen voor kunststof wanneer deze lokaal beschikbaar zijn. Het verbranden van kunststof kan in andere gevallen worden gebruikt voor het opwekken van energie die bijvoorbeeld kan worden gebruikt voor cogeneratie.
Elektronica	De elektronische onderdelen moeten afzonderlijk worden ingezameld en worden geretourneerd aan een speciale recyclingdienst.

# Innehåll

Symboler som används i manualen.....	126
Allmän säkerhetsinformation.....	128
Säkerhetsavstånd.....	129
Avsedd användning.....	131
Användare.....	131
Avsedd för.....	131
Användningsmiljö.....	131
Kontraindikationer för användning.....	132
Biokompatibilitet.....	132
Antändlighet.....	132
Användningsinstruktioner.....	133
Säkerhetsbromsar.....	133
Sidoskydd.....	134
Höjjustering.....	135
Återställning.....	135
Nödstopp.....	136
Låsa upp nödstoppet.....	136
Ladda batteriet.....	137
Laddningsindikatorer.....	138
Tillbehör.....	139
Madrass.....	139
Rengöring.....	140
Elektromagnetisk kompatibilitet.....	141
Elektromagnetisk emission.....	141
Elektromagnetisk immunitet.....	142
Produktetikett.....	143
Förvaring och transport.....	145
Felsökning.....	145
Systemindikatorer.....	146
Kassering och återvinning.....	147

# Symboler som används i manualen

Följande symboler används i manualen samt i övrig dokumentation som medföljer produkten.



**VARNING** indikerar en potentiellt farlig situation som kan orsaka dödsfall eller allvarlig skada om den inte undviks.



**VAR FÖRSIKTIG** indikerar en potentiellt farlig situation som kan orsaka mindre eller måttlig skada om den inte undviks. Kan också användas för att varna för osäker hantering.



**VIKTIGT** indikerar viktig information om hantering och användning av produkten.



**OBS** används för att informera om hantering som inte är relaterad till personlig säkerhet.



Varning för huvudskada



Varning för handskada



Varning för skada på genitalierna



Varning för fotskada



Lämna inte patienten utan tillsyn.



Kompatibla produkter



Reservdelar



Användarens maxvikt



Artikelnummer/versioner



Produktvikt



Elektriska specifikationer

## Allmän säkerhetsinformation

### **VARNING**

- Se till att du har läst och förstått manualen fullständigt innan du använder produkten. Förvara manualen nära produkten.
- Följ anvisningarna i manualen för att undvika olyckor som kan orsaka allvarliga personskador.
- Använd aldrig produkten på något annat sätt än vad som beskrivs i den här manualen eftersom du då riskerar att skada både dig själv och produkten.
- Se till att alla personer som ska installera eller använda produkten och de tillhörande systemen har fått den information som behövs samt att de har tillgång till manualen.

### **VAR FÖRSIKTIG**

- Följ anvisningarna för att undvika att produkten skadas eller förstörs.
- Försök inte reparera, demontera, montera eller göra tillägg till produkten eller ändra den på något sätt. Sådana åtgärder får endast utföras av Pressalit eller av personer som fått behörighet av Pressalit.
- Låt aldrig barn använda produkten ensamma. Den är inte avsedd för lek.
- Använd aldrig produkten om den är trasig eller skadad. Vänta med att använda en defekt produkt tills den har reparerats.

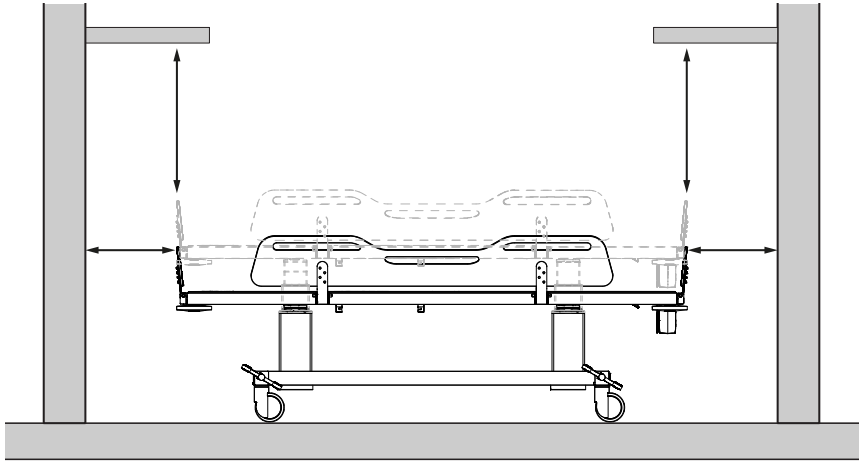
### **OBS**







- Informationen i den här manualen är baserad på att produkten är korrekt monterad enligt våra anvisningar.
- Pressalit tar inget ansvar för eventuella fel som uppstår om produkten används på något annat sätt än vad som beskrivs i manualen.
- Vi förbehåller oss rätten att göra ändringar i manualen utan att meddela detta i förväg.



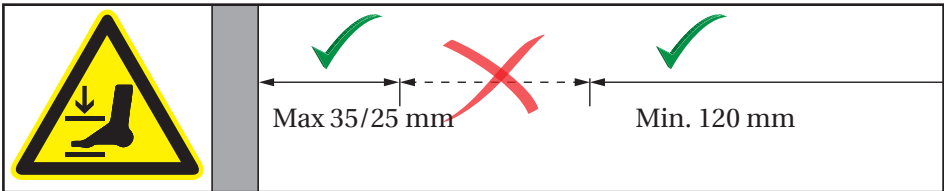
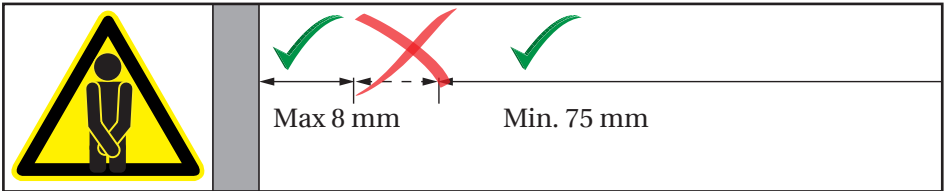
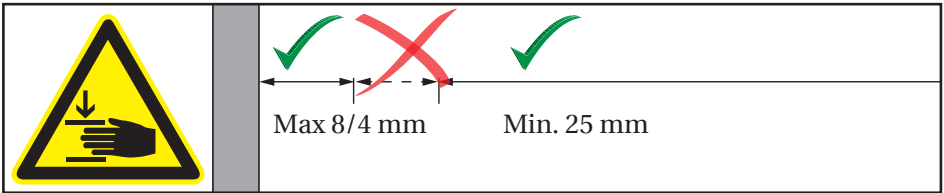
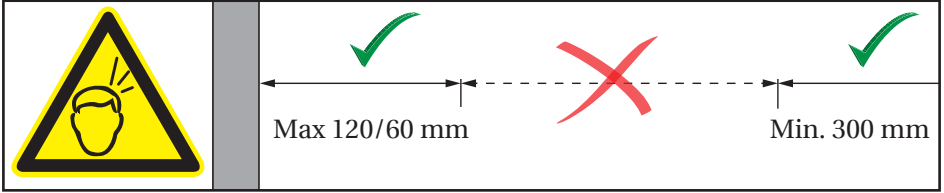
# Säkerhetsavstånd

Se till att enheten är på säkert avstånd från omgivande föremål. Kontrollera avståndet innan användning.



ISO 17966:2016		
	Max 120 mm Min. 300 mm	Max 60 mm Min. 300 mm
	Max 8 mm Min. 25 mm	Max 4 mm Min. 25 mm
	Max 8 mm Min. 75 mm	Max 8 mm Min. 75 mm
	Max 35 mm Min. 120 mm	Max 25 mm Min. 120 mm

SV



 **VARNING**

Om enheten är i rörelse inom säkerhetsavstånden måste du vara särskilt uppmärksam på personer och föremål som finns i närheten för att undvika risken för klämskador.

# Avsedd användning

Den här produkten är avsedd för vård av en person som inte kan stå eller sitta själv. Personen ligger horisontellt på vårdbritsen.

## Användare

Produkten ska endast användas av personal som är utbildad i hälsovård och/eller att utföra ombyte på personer.

## Avsedd för

Produkten kan användas av alla – vuxna, barn, gamla och unga med en **maxvikt på 200 kg**.

## Användningsmiljö

Vårdbritsen är avsedd för användning i rumstemperatur i allmänna omklädningsrum, skolor, privata hem, vårdhem, vårdcentraler och sjukhus under normala arbetsförhållanden.

Vårdbritsen ska användas i torra utrymmen och inte som en duschbrits i duschar. Om den relativa luftfuktigheten är över 70 % minskar den förväntade användningstiden avsevärt för enheten. Vårdbritsen får inte utsättas för ångor som innehåller klor.



**VAR FÖRSIKTIG**

Ytan på produkten kan bli mycket varm eller kall om den utsätts för värme eller kyla från externa källor, t.ex. solsken eller frost.

SV

**OBS**

Eventuella allvarliga incidenter som inträffar i samband med produkten ska rapporteras till tillverkaren och till berörda hälsomyndigheter.

En allvarlig incident definieras som en incident som leder till dödsfall för en patient, användare eller annan person, eller som orsakar en tillfällig eller permanent försämring av personens hälsa. Alla incidenter som har resulterat i eller eventuellt kan resultera i en allvarlig incident måste rapporteras.

## **Kontraindikationer för användning**

Det är inte rekommenderat att utföra tvättning av gravida på duschbritsen. Det är inte rekommenderat att utföra tvättning på duschbritsen av patienter med infusions- eller insulinpump, inflammatoriska hudsjukdomar eller patienter med feber.

Patienter med hjärtsvikt, hjärt-kärlsjukdomar, kraniocerebralt trauma, öppna sår, närings- eller dräneringssond (t.ex. kateter, dränage) kan tvättas på duschbritsen, men endast i samråd med ansvarig läkare.

Använd inte produkten om patientens vikt överstiger 200 kg.

## **Biokompatibilitet**

De material som kommer i kontakt med patientens hud under omvårdningsproceduren har testats för innehåll av skadliga ämnen enligt ISO 10993-standarderna om biokompatibilitet och anses därför lämpliga för detta ändamål.

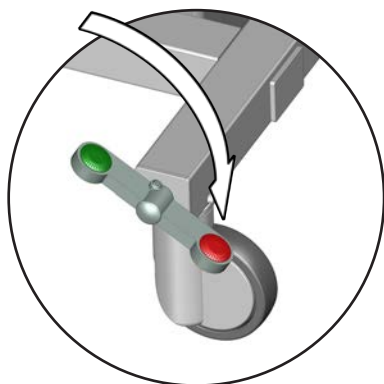
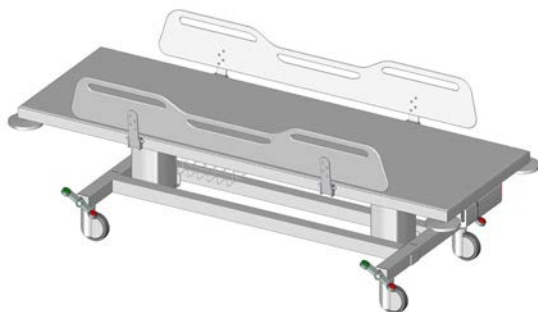
## **Antändlighet**

Produktens material har genomgått antändlighetstester i enlighet med ISO 8191-1:1987 och ISO 8191-2:1988.

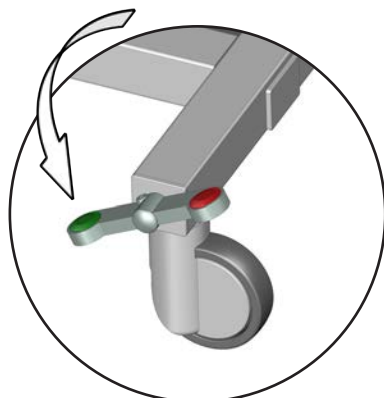
# Användningsinstruktioner

## Säkerhetsbromsar

Vårdbritsen är utrustad med säkerhetsbromsar på alla fyra länkhjulen för att garantera att ingen oavsiktlig rörelse sker.



**Låsa bromsarna:** Tryck med foten på den röda knappen på en av de fyra pedalerna för att låsa bromsarna på alla fyra hjulen.



**Låsa upp bromsarna:** Tryck med foten på den gröna knappen på en av de fyra pedalerna för att låsa upp bromsarna på alla fyra hjulen.



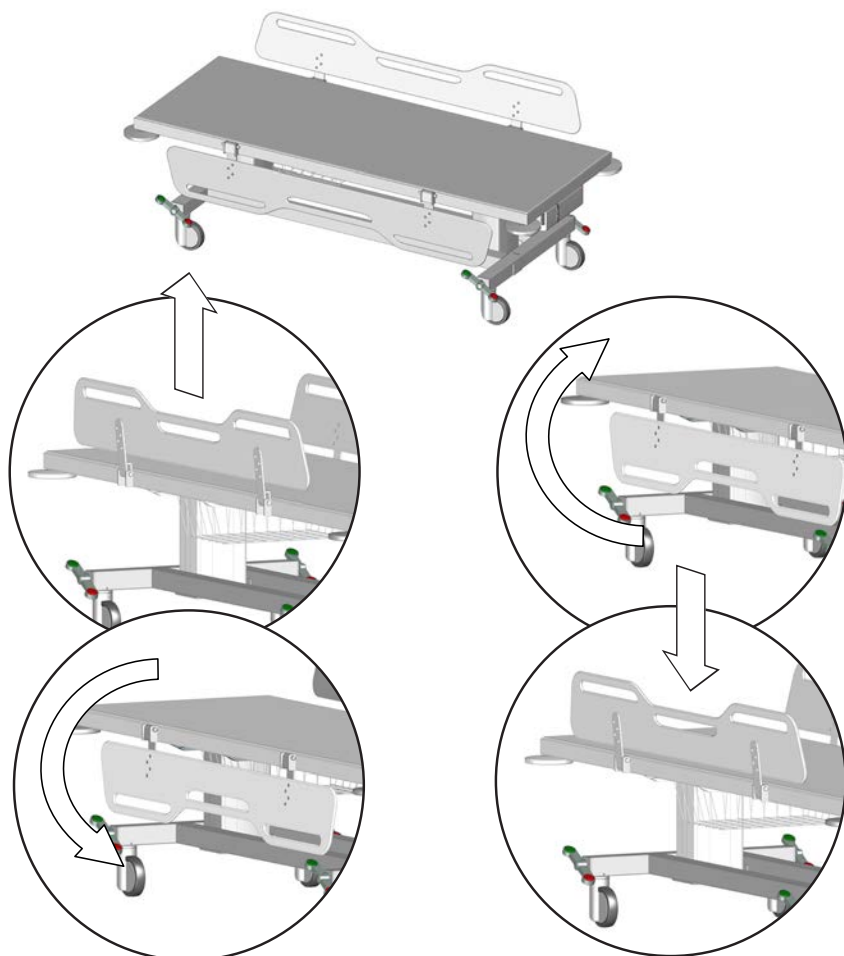
Kontrollera alltid att bromsarna är låsta innan en patient överförs till eller från vårdbritsen.



**Lämna inte patienten utan tillsyn.**

## Sidoskydd

Sidoskydden kan fällas upp och ned individuellt för att smidigt kunna flytta patienten.



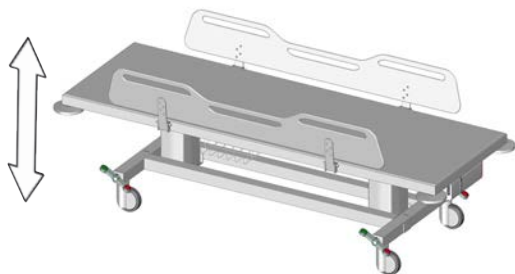
**Fälla ned:** Lyft sideskyddet uppåt för att låsa upp det och fäll det sedan nedåt.

**Fälla upp:** Fäll upp sideskyddet och tryck det nedåt för att låsa det på plats.

 **VARNING**

När britsen används ska du se till att alla sideskydden är uppfällda och låsta för att skydda patienten från att falla av britsen.

## Höjdjustering



Vårdbritsen kan justeras  
400 mm uppåt och nedåt.

**Användarens maxvikt:  
200 kg**

**Max. belastning:  
250 kg**

Höjdjusteringen utförs via en trådbunden manöverdosa.



Tryck på upp-knappen och håll ned den för att höja enheten. Höjningen/sänkningen stoppas när du släpper knappen.



Tryck på ned-knappen och håll ned den för att sänka enheten. Höjningen/sänkningen stoppas när du släpper knappen.



**För att undvika risk för strypning ska den trådbundna manöverdosan alltid vara placerad i hållaren när den inte används.**



**Se till att du inte skadar händerna, fötterna eller huvudet när du är i närheten av rörliga mekaniska delar.**

SV

## Återställning

Om lyftfunktionen inte fungerar korrekt eller om de två lyftkolumnerna inte är synkade kan du försöka att återställa lyftsystemet.



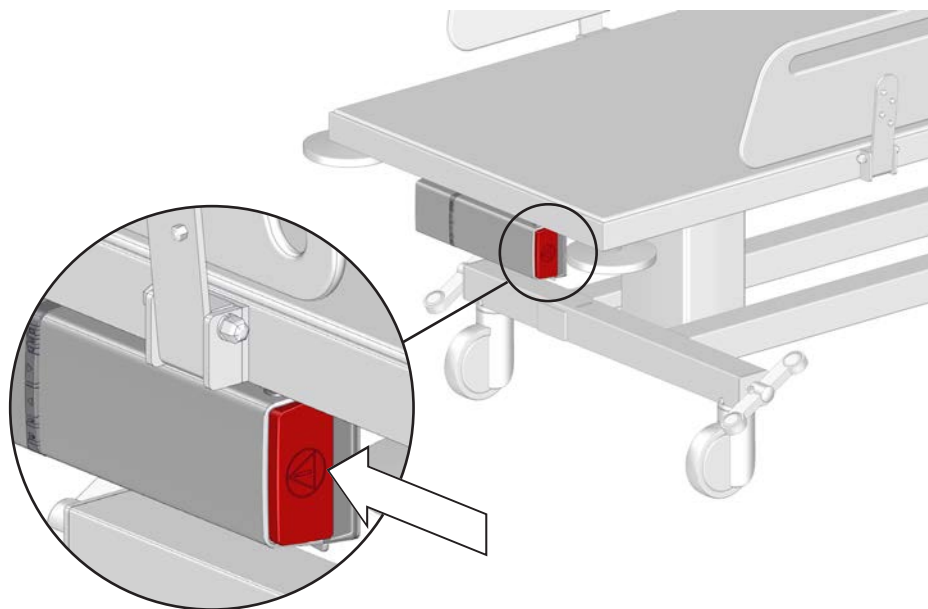
Tryck på både upp- och ned-knapparna samtidigt och håll ned dem.  
Efter några sekunder flyttas kolumnerna nedåt och ett pip ljud hörs.



Fortsätt hålla ned båda knapparna tills pipljudet tystnar.  
Lyftkolumnerna är nu återställda.

## Nödstopp

Vid nödfall ska du trycka på nödstoppet på batteriet. Uppåt- eller nedåtrörelsen stoppar då omedelbart.

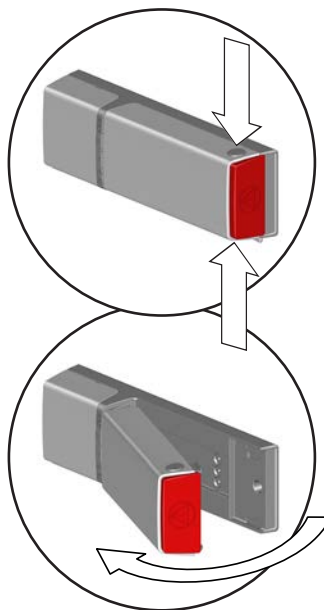


### SV **Låsa upp nödstoppet**

Tryck på de två upplåsningsknapparna för att ta bort batteriet.

Sätt tillbaka batteriet igen. Se till att batterilåset klickar på plats.

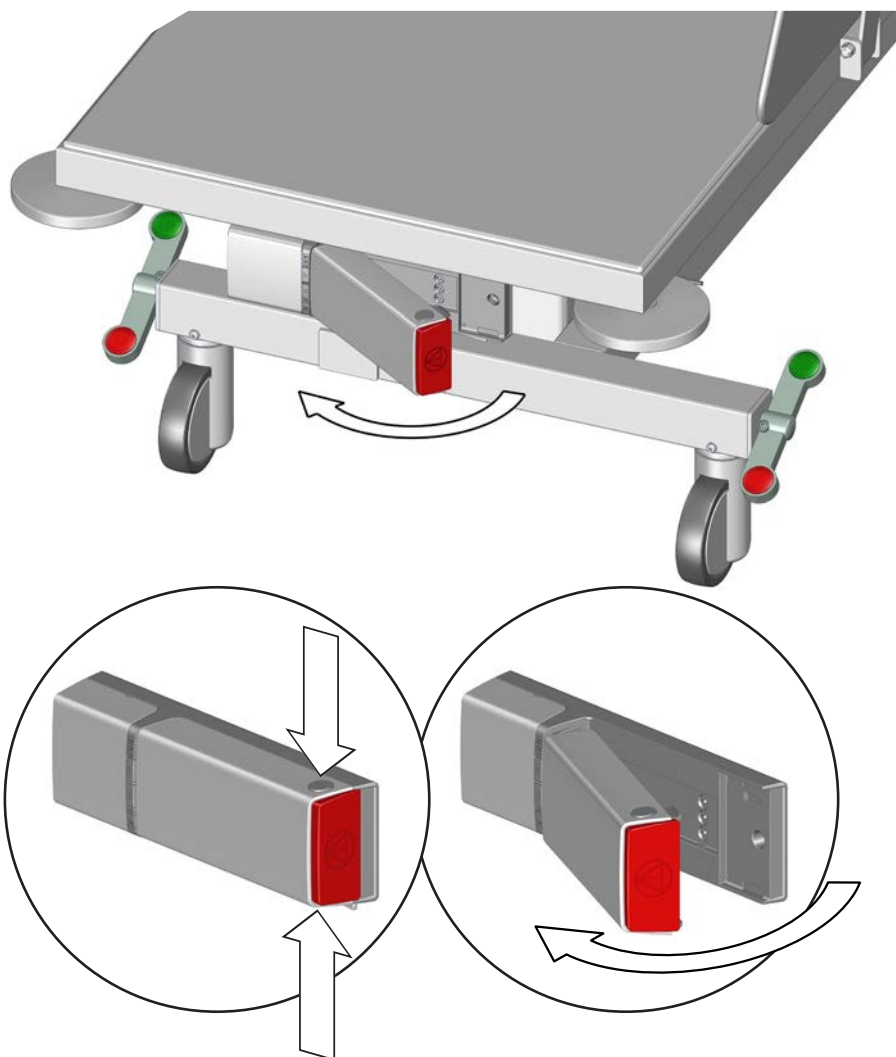
Nödstoppet är nu upplåst.



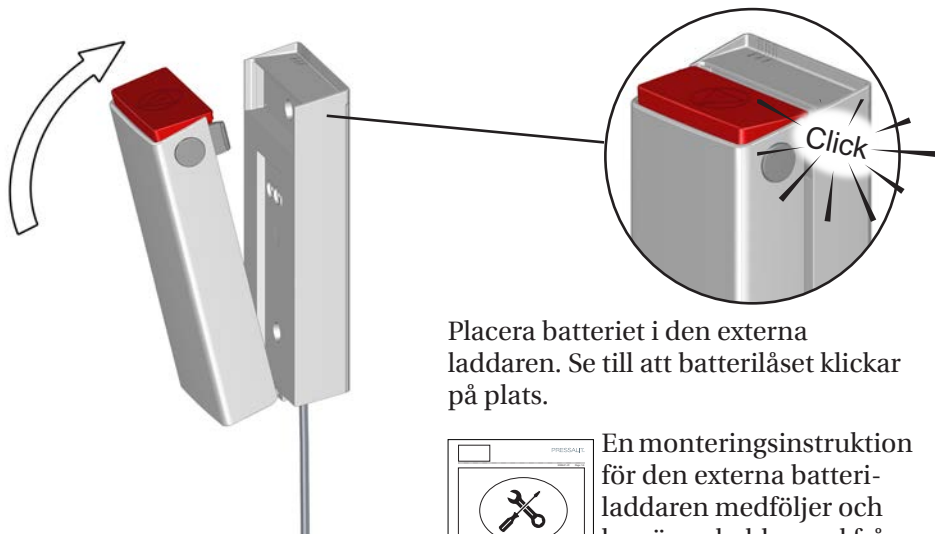


## Ladda batteriet

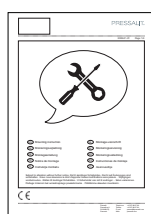
Batteriet har kapacitet att höjjustera duschbrisen upp till 30 gånger när det är fulladdat.



Tryck på de två upplåsningsknapparna för att ta bort batteriet för laddning i den externa laddaren.



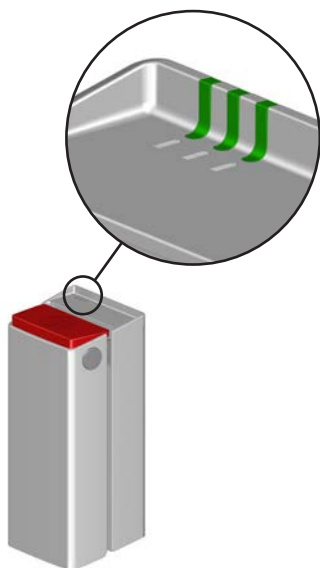
Placera batteriet i den externa laddaren. Se till att batterilåset klickar på plats.



En monteringsinstruktion för den externa batteriladdaren medföljer och kan även laddas ned från [pressalit.com](http://pressalit.com).

## Laddningsindikatorer

De tre lamporna på den externa laddaren visar batteriets laddningsstatus.

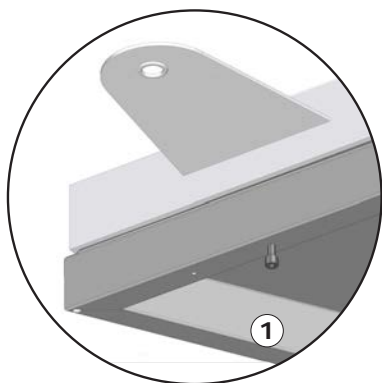
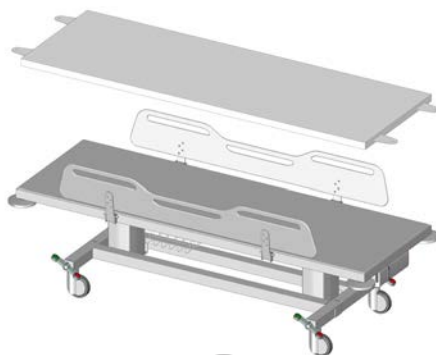


	<b>Laddningsstatus</b>
	90–100 %
	65–90 %
	40–65 %
	0–40 %
	Laddning stoppad på grund av låg batteritemperatur, hög batteritemperatur eller annat fel
	Laddning stoppad på grund av att kommunikation med batteriet saknas

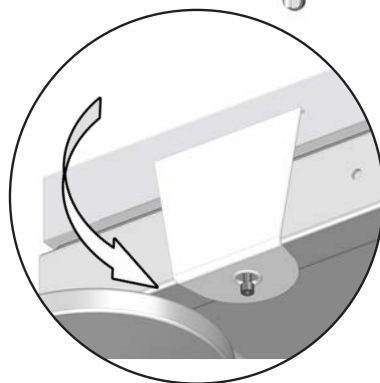
# Tillbehör

## Madrass

Den kompletterande madrassen kan placeras på vårdbritsen för optimal komfort. Madrassen är vändbar och båda sidorna kan således användas.



Skruva ur låsskruven till madrassen  
① cirka en centimeter.



Dra ned madrassfliken över skruven.  
Gör likadant med alla fyra flikarna.

Produkten ska rengöras med varmt vatten eller ett mildt tvålbaserat rengöringsmedel. På [pressalit.com](http://pressalit.com) finns en lista över lämpliga rengöringsmedel/ desinficeringsmedel som har testats av Pressalit.

En monteringsinstruktion medföljer madrassen och kan även laddas ned från [pressalit.com](http://pressalit.com).



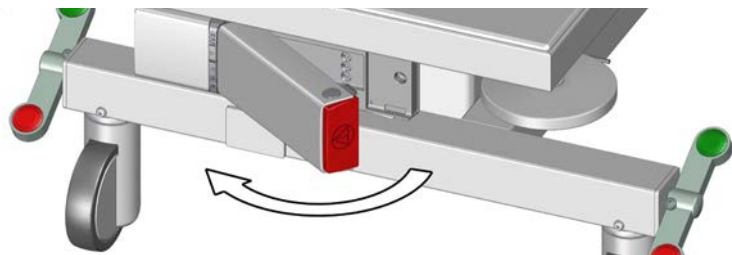
SV

## VIKTIGT

För att upprätthålla god hygien rekommenderar vi att du regelbundet kontrollerar om det finns synliga skador eller tecken på hårt slitage på madrassen. Om du upptäcker skador eller slitage ska det bytas ut omedelbart för att förhindra risken för kontaminering eller infektion.

## Rengöring

Ta bort batteriet innan rengöring av duschbritten.



Produkten ska rengöras med varmt vatten eller ett mild tvålbaserat rengöringsmedel. På [pressalit.com](http://pressalit.com) finns en lista över lämpliga rengöringsmedel som har testats av Pressalit.



**VAR FÖRSIKTIG**

Läs alltid materialsäkerhetsdatabladet (MSDS) och de medföljande anvisningarna till det aktuella rengörings-, desinficerings- eller avkalkningsmedlet avseende säker användning, spädning, sköljning, torkning, hantering och förvaring.

**VIKTIGT**

- Använd inte en autoklav eller någon annan typ av ångtvätt för rengöring.
- Undvik aggressiva rengöringsmedel som innehåller syror.
- Spruta aldrig med högtryckstvätt direkt på produkten.
- För rengöring av ytan kan klorbaserade desinficeringsmedel användas enligt produktspecifikationen och säkerhetsföreskrifterna för de här produkterna.



**VAR FÖRSIKTIG**

Utför ingen typ av rengöring eller desinficering av duschbritten om en patient ligger på den.

# Elektromagnetisk kompatibilitet



- Användning av andra tillbehör, omvandlare och kablar än de som är specificerade eller som tillhandahålls av tillverkaren kan orsaka ökad elektromagnetisk emission eller försämrad elektromagnetisk immunitet för den här utrustningen vilket kan resultera i felaktig funktion.
- Bärbar utrustning för RF-kommunikation (inklusive tillbehör som antennkablar och externa antenner) ska inte användas närmare än 30 cm från någon del av produkten (inklusive dess kablar) för att undvika att produktens prestanda försämras.
- Använd inte den här produkten bredvid eller ovanpå annan utrustning eftersom det kan resultera i felaktig drift. Om produkten ändå behöver användas på ett sådant sätt ska både den och den andra utrustningen kontrolleras för att verifiera att de fungerar normalt.

## Elektromagnetisk emission

Teststandard	Testnivå/information	Testresultat
60601-1-2 kap. 7.1.7 – CISPR 14	30 MHz–1 GHz	Godkänt

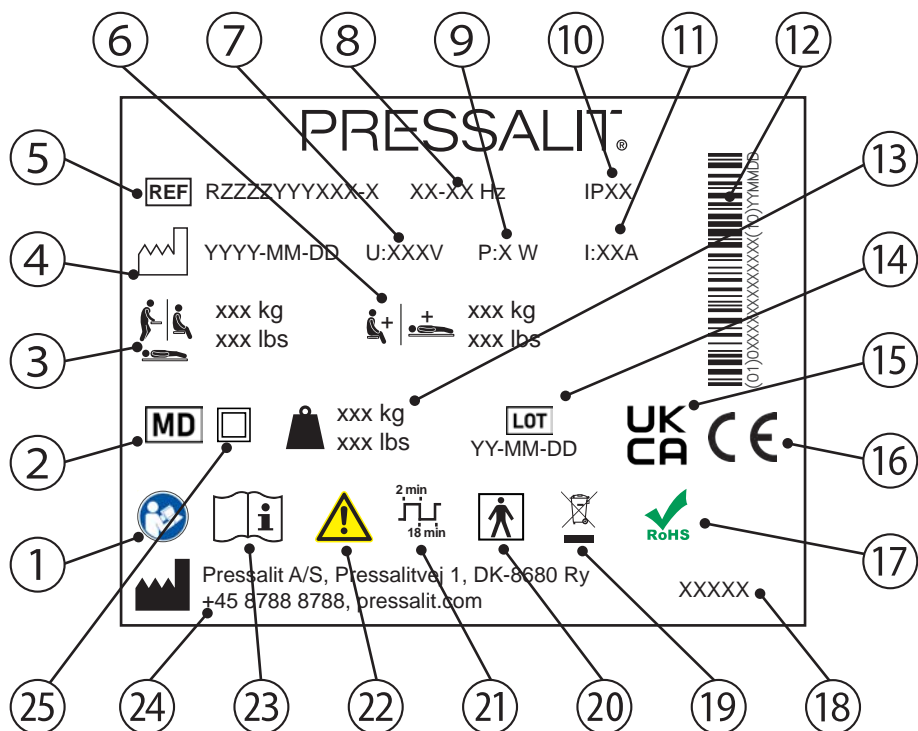
## Elektromagnetisk immunitet

Teststandard	Nivå för överensstämmelse	Testnivå/ information	Testresultat
EN60601-1-2 och EN17966 (hemlik vårdmiljö)	=> 10 V/m 2,7 GHz	15 V/m Frekvensområde: 80 MHz–6 GHz steg om 1 %	Godkänt
EN60601-1-2 (närliggande RF-fält från utrustning för trådlös kommunikation)	=> 10 V/m 2,7 GHz	15 V/m Frekvensområde: 385–5785 MHz	Godkänt
IEC 61000-4-4 (snabba elektriska transienter/pulsskurar)		Simulering av snabba pulsar	Godkänt
Ledningsbundna störningar inducerade av RF	Pulser, 6 V	Pulser, 10 V	Godkänt
Elektrostatisk urladdning		Urladdning på enheten från person laddad med statisk elektricitet, 8 kV och 15 kV	Godkänt (*)

SV

\* Om en person är laddad med statisk elektricitet och urladdning sker på eller i närheten av duschbriets manöverdosa kan det uppstå ett fel i lyftkolumnerna som gör att en återställning måste utföras. Se "**Återställning**".

# Produktetikett



1 Läs manualen för att få anvisningar om användning.

2 Medicinsk utrustning

3 Användarens maxvikt

4 Tillverkningsdatum

5 Artikelnummer

6 Max. belastning

7 Nätspänning

8 Frekvens

9 Maximal energiförbrukning

⑩ IP-klass

---

⑪ Elektrisk ström

---

⑫ Streckkod GS1-128

---

⑬ Produktvikt

---

⑭ Batchkod

---

⑮ UKCA-märkt

---

De här produkterna är CE-märkta i enlighet med relevanta krav i:

- Förordning (EU) 2017/745 (av den 5 april 2017) om medicintekniska produkter.

⑯

- Maskindirektivet 2006/42/EG (av den 17 maj 2006).
- RoHS-direktivet 2011/65/EG (av den 8 juni 2011).

En försäkran om överensstämmelse finns på [pressalit.com](http://pressalit.com).

---

⑰ Produkten innehåller inga av de farliga ämnen som är angivna i RoHS-direktivet 2011/65/EG.

---

⑱ Produktnamn (om tillämpligt)

---

⑲ Produkten får inte kasseras som vanligt hushållsavfall. Avfallssortera de olika delarna och lämna in dem för återvinning på därför avsedd plats.

---

⑳ Typ BF-del. En del av produkten kommer att komma i fysisk kontakt med patienten vid normal användning. Produkten uppfyller kraven i IEC 60601-1 och är därmed skyddad mot elektriska stötar.

---

㉑ Arbetscykel

---

㉒ Läs manualen för att få veta innebörden i viktig säkerhetsinformation som varningar och försiktighetsåtgärder.

---

㉓ Läs manualen för att få anvisningar om användning.

---

㉔ Tillverkarens namn och adress.

---

㉕ Dubbelisolerad elektrisk apparat.

---



## Förvaring och transport

- Temperaturen vid transport och förvaring måste ligga mellan 5 och 40 grader Celsius.
- Enheten måste alltid transporteras i sin originalförpackning.
- Se till att förpackningen inte utsätts för stötar.
- Använd inte produkten om förpackningen är trasig eller skadad.

## Felsökning

Symptom	Orsak	Åtgärd
Ingen ström.	Batteriet är urladdat.	Ladda batteriet. Se " <b>Ladda batteriet</b> ".
Vårdbritsen är sned.	Lyftkolumnerna är inte synkade.	Återställ lyftkolumnerna. Se " <b>Återställning</b> ".
Vårdbritsen kan inte höjas eller sänkas.	Om en person är laddad med statisk elektricitet och urladdning sker i närheten av vårdbritsens manöverdosa kan det uppstå ett fel i lyftkolumnerna.	Återställ lyftkolumnerna. Se " <b>Återställning</b> ".

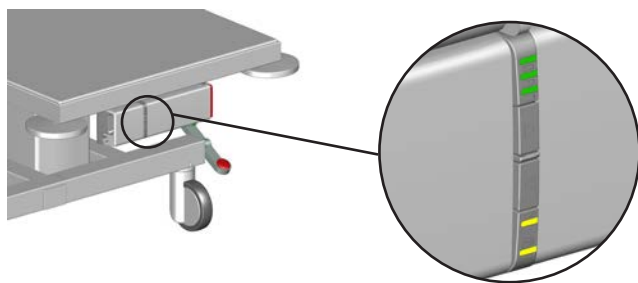
Kontakta Pressalit A/S eller din återförsäljare om du inte kan åtgärda problemet. Försök inte reparera produkten själv eftersom det gör att garantin upphör att gälla.

SV

Den förväntade användningstiden för vårdbritsen är 10 år.

## Systemindikatorer

De två gula lamporna på den interna laddaren visar systemstatusen.



Lampor	Orsak	Status	Åtgärd
	Nödstopp aktiverat	Enheten kan inte höjas eller sänkas	Lås upp nödstoppet. Se " <b>Låsa upp nödstoppet</b> "
	Systemfel	Enheten kan inte höjas eller sänkas	Återställ lyftkolumnerna. Se " <b>Återställning</b> "
	Enheten överlastad	Enheten kan inte höjas eller sänkas	Minska belastningen
	Arbetscykelkontroll	Enheten kan inte höjas eller sänkas	Vänta tills enheten är redo
	Service krävs	Enheten fungerar fortfarande	Kontakta Pressalit A/S eller din lokala återförsäljare

## Kassering och återvinning

Produkten innehåller material som går att återvinna. Det finns inga kända risker förknippade med kassering av produkten. Alla komponenter kan kasseras efter att de har rengjorts och desinficerats.

Vid kassering av produkten rekommenderar vi att den demonteras och att de olika delarna avfallssorteras för återvinning eller förbränning.

I följande tabell finns information om återvinning och hantering av produkten.

<b>Komponenter som kan återvinnas</b>	<b>Material</b>
Stål	Stål kan återvinnas genom att smältas ned och inkluderas som ett sekundärt material vid tillverkning av nytt stål.
Plast	Sortera som plastavfall.
Elektronik	De elektroniska komponenterna ska samlas in och sorteras som elektriskt avfall.

# Innholdsfortegnelse

Symboler brukt i denne brukerhåndboken .....	149
Generell sikkerhet .....	151
Sikkerhetsavstander .....	152
Tiltenkt bruk .....	154
Krav til operatører.....	154
Krav til brukere .....	154
Krav til omgivelsene ved bruk .....	154
Kontraindikasjoner for bruk.....	155
Biokompatibilitet .....	155
Brennbarhet.....	155
Bruksanvisning .....	156
Sikkerhetsbremseser .....	156
Sidegrinder.....	157
Høydejustering .....	158
Tilbakestilling .....	158
Nødstop .....	159
Frigjøring av nødstop .....	159
Lade batteriet .....	160
Ladeindikatorer.....	161
Tilbehør .....	162
Madrass.....	162
Rengjøring.....	163
Elektromagnetisk kompatibilitet .....	164
Elektromagnetiske utslipp .....	164
Elektromagnetisk immunitet.....	165
Produktetikett.....	166
Oppbevaring og transport .....	168
Feilsøking.....	168
Systemindikatorer .....	169
Kassering og gjenvinning .....	170

# Symboler brukt i denne brukerhåndboken

De følgende symbolene brukes i denne brukerhåndboken og i den tilhørende dokumentasjonen som følger med produktet.



**ADVARSEL** indikerer en potensiell farlig situasjon som, hvis den ikke unngås, kan føre til død eller alvorlig personskade.



**FORSIKTIG** angir en potensielt farlig situasjon som, hvis den ikke unngås, kan føre til mindre eller moderate personskader. Det kan også brukes for å advare mot feilaktig bruk.



**VIKTIG** angir viktig informasjon om korrekt håndtering og bruk av produktet.



**MERKNAD** indikerer forhold som ikke er relatert til personlig sikkerhet.



Advarsel om hodeskader



Advarsel om håndskader



Advarsel om skader på kjønnsorgan



Advarsel om fotskader

no



Ikke forlat pasienten uten tilsyn.



Kompatible produkter



Reservedeler



Maksimal brukervekt



Artikkelnummer/-versjoner



Produktvekt



Elektriske data

## Generell sikkerhet

### **ADVARSEL**

- Les og forstå brukerhåndboken fullstendig før bruk. Oppbevar brukerhåndboken nær enheten.
- Følg instruksjonene i denne brukerhåndboken for å unngå ulykker som kan føre til alvorlig personskade.
- Dette produktet skal aldri brukes eller håndteres på andre måter enn som beskrevet i denne brukerhåndboken. Dette kan redusere sikkerheten for deg og føre til skade på produktet.
- Sørg for at alle som skal montere eller bruke produktet og systemene, har all nødvendig informasjon og tilgang til denne brukerhåndboken.

### **FORSIKTIG**

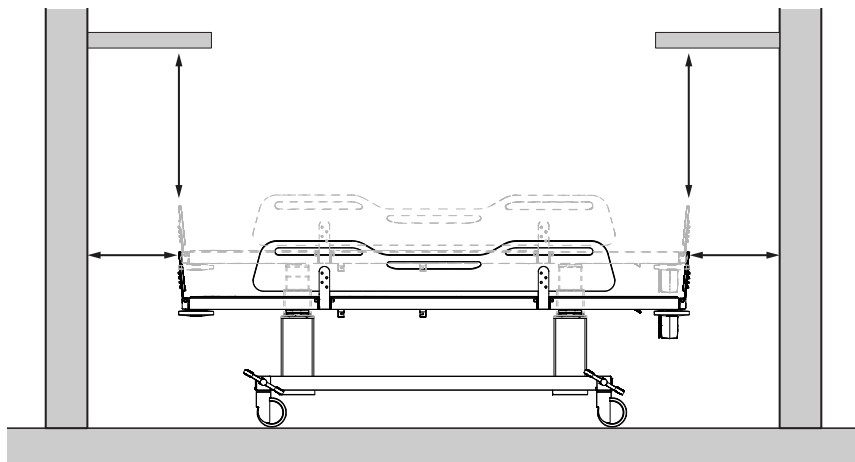
- Følg disse instruksjonene for å unngå at produktet skades eller ødelegges.
- Ikke utfør reparasjoner, demonterings- eller monteringsoperasjoner, utvidelser, justeringer eller modifikasjoner på dette produktet. Dette skal kun utføres av Pressalit eller personer som er autorisert av Pressalit.
- La aldri barn bruke dette produktet uten tilsyn. Produktet er ikke et leketøy.
- Bruk aldri produktet hvis det er defekt eller skadet. Bruk ikke et defekt produkt før det er blitt reparert.







### **MERKNAD**

- Informasjonen i denne brukerhåndboken forutsetter at produktet er riktig montert i samsvar med våre monteringsinstruksjoner.
- Pressalit kan ikke holdes ansvarlig hvis produktet brukes på annen måte enn som beskrevet i veiledningen.
- Vi forbeholder oss retten til å foreta endringer i denne brukerhåndboken uten varsel.

# Sikkerhetsavstander

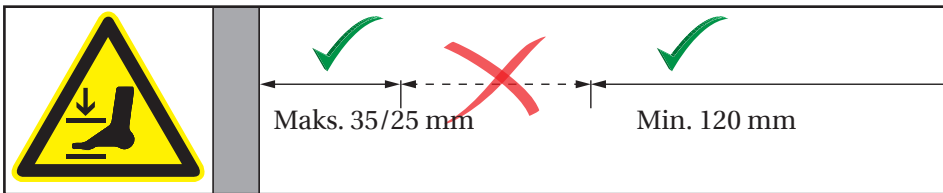
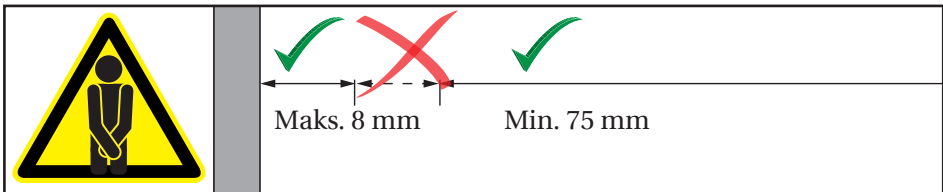
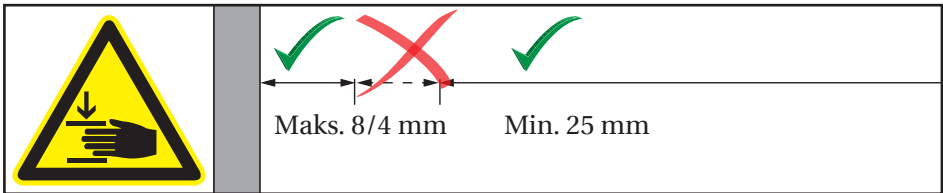
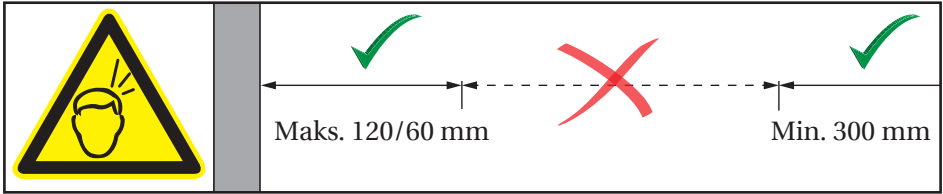
Sørg for at enheten er i sikker avstand fra gjenstander i nærheten. Kontroller avstandene før bruk.



ISO 17966:2016		
	Maks. 120 mm Min. 300 mm	Maks. 60 mm Min. 300 mm
	Maks. 8 mm Min. 25 mm	Maks. 4 mm Min. 25 mm
	Maks. 8 mm Min. 75 mm	Maks. 8 mm Min. 75 mm
	Maks. 35 mm Min. 120 mm	Maks. 25 mm Min. 120 mm

no





 **ADVARSEL**

Hvis enheten beveger seg innenfor sikkerhetsavstandene, må du holde et spesielt godt øye med personer og gjenstander i nærheten for å unngå klemfare.

no

## Tiltenkt bruk

Dette produktet skal brukes til å stelle en person som ikke kan stå eller sitte. Personen skal ligge horisontalt på det mobile stallebordet.

## Krav til operatører

Kun helsepersonell / personer med opplæring i skift av pleiende skal bruke dette produktet.

## Krav til brukere

Produktet kan brukes av alle – voksne, barn, unge, eldre – som veier **maksimalt 200 kg**.

## Krav til omgivelsene ved bruk

Det mobile stallebordet skal brukes ved romtemperatur på offentlige skiftsteder, skoler, i private hjem, dagsenter/sykehjem og sykehus under normale driftsforhold.

Stallebordet skal brukes i tørre rom og ikke som et dusjstallebord i dusjen. Hvis den relative fuktigheten er over 70 %, blir det forventede levetiden kraftig redusert. Stallebordet må ikke utsettes for klorholdige gasser.



Produktets overflate kan bli varm eller kald hvis den utsettes for eksterne kilder for varme eller kulde, f.eks. sollys eller frost.

## MERKNAD

Enhver alvorlig hendelse som har skjedd i forbindelse med produktet, skal rapporteres til produsenten og helsemyndighetene.

En alvorlig hendelse defineres som en hendelse som fører til at en pasient, bruker eller annen person dør, eller som forårsaker en midlertidig eller permanent forverring av personens helse. Enhver hendelse som har resultert i eller har potensial til å resultere i en alvorlig hendelse, skal rapporteres.

## **Kontraindikasjoner for bruk**

Det anbefales ikke at gravide blir badet på det mobile dusjstellebordet. Det anbefales ikke at pasienter med infusjons- eller insulinpumpe, inflammatoriske hudsykdommer eller pasienter med feber blir badet på det mobile dusjstellebordet.

Pasienter med hjertesvikt, hjerte- og karsykdommer, kranial/cerebral skade, åpne sår, ernæringssonder eller dren (f.eks. kateter, drenslanger) kan bare bades på det mobile dusjstellebordet etter å ha konsultert den behandlende legen.

Ikke bruk hvis pasienten veier mer enn 200 kg.

## **Biokompatibilitet**

Materialene som er i kontakt med huden til pasienten eller brukeren under stelleprosedyren, er testet for innhold av skadelige stoffer i henhold til ISO 10993 Biokompatibilitet, og anses derfor som egnet for dette formålet.

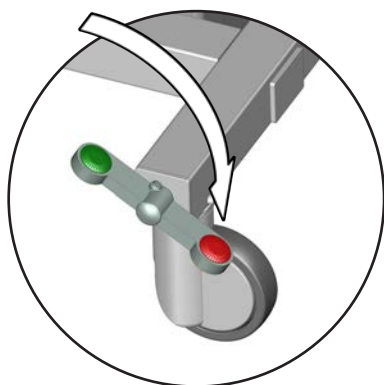
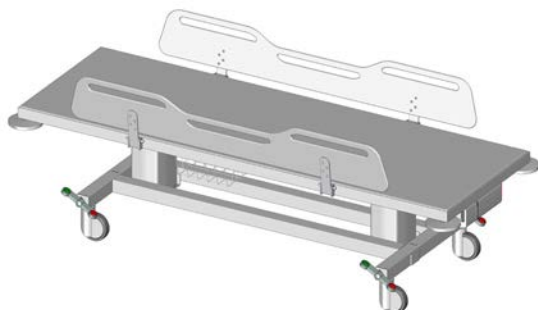
## **Brennbarhet**

Produktmaterialene har gjennomgått brennbarhetstesting i henhold til ISO 8191-1:1987 og ISO 8191-2:1988.

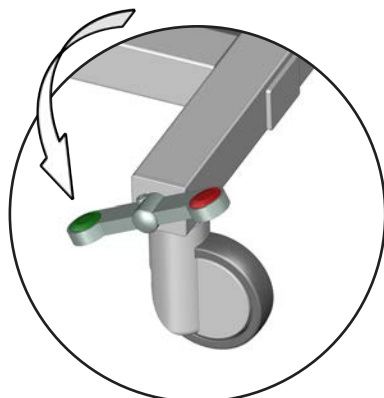
# Bruksanvisning

## Sikkerhetsbrems

Det mobile stellebordet er utstyrt med sikkerhetsbrems på alle fire hjulene for å sikre at det ikke kan bevege seg utilsiktet.



**Slik låser du bremsene:** Tråkk på den røde knappen på én av de fire vippepedalene for å låse bremsene på alle fire hjulene.



**Slik låser du opp bremsene:** Tråkk på den grønne knappen på en av de fire vippepedalene for å låse opp bremsene på alle fire hjulene.



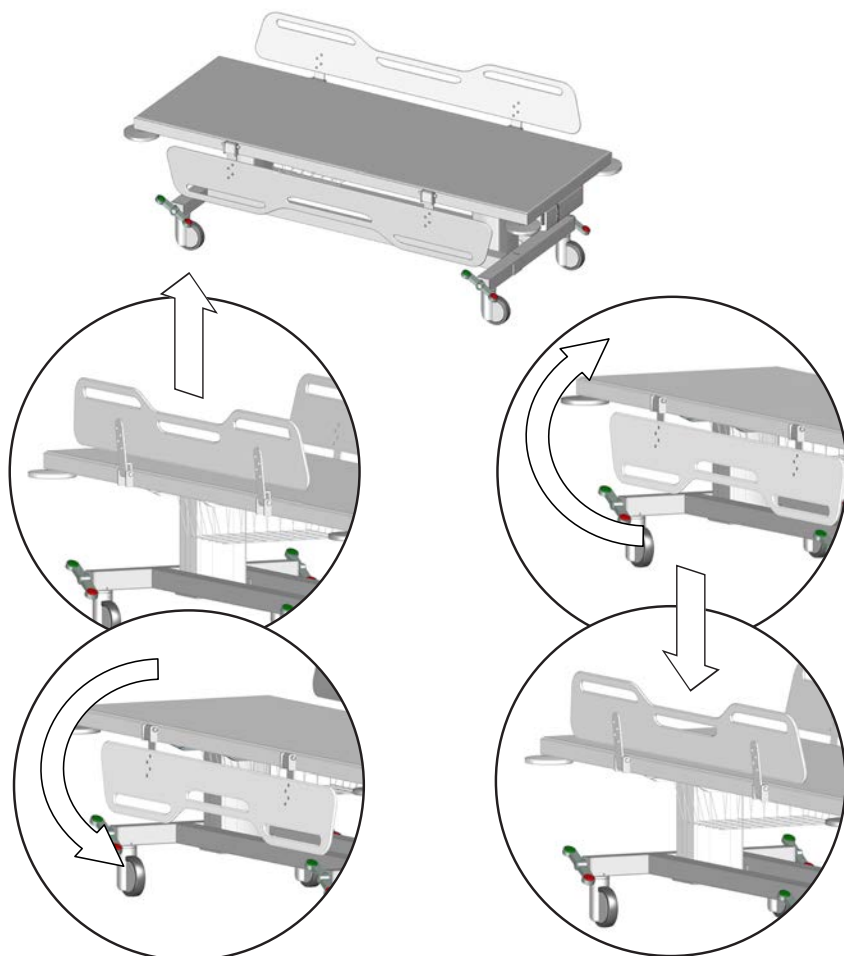
Forsikre deg alltid om at bremsene er låst når du overfører en pasient til og fra det mobile stellebordet.



**Ikke forlat pasienten uten tilsyn.**

## Sidegrinder

Sidegrindene kan foldes opp og ned hver for seg for enkel overføring av pasienten.



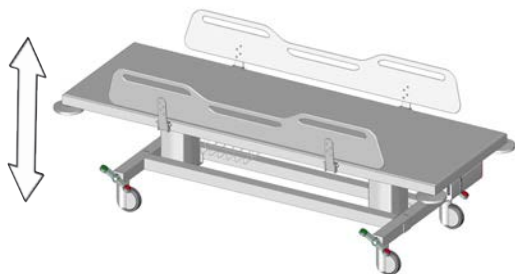
**Felle ned:** Løft sidegrinden oppover for å låse den opp, og sving den ned.

**Felle opp:** Sving sidegrinden opp og skyv den ned for å låse den på plass.



Når stellebordet trilles, må du sørge for at alle sidegrinder er oppreist og i låst posisjon for å hindre at pasienten faller av stellebordet.

## Høydejustering



Det det mobile stallebordet kan justeres 400 mm opp og ned.

**Maks. brukervekt:**

**200 kg**

**Maks. last:**

**250 kg**

Høydejusteringen kontrolleres med den kablede fjernkontrollenheten.



Trykk på og hold inne opp-knappen for å heve stallebordet.  
Bevegelsen stopper når du slipper knappen.



Trykk på og hold inne ned-knappen for å senke stallebordet.  
Bevegelsen stopper når du slipper knappen.



**For å unngå fare for kvelning må du sørge for at den kablede fjernkontrollen er plassert i holderen når den ikke er i bruk.**



**Vær forsiktig for å unngå hånd-, fot- og hodeskade når du er i nærheten av mekaniske deler i bevegelse.**

## no Tilbakestilling

Hvis løftefunksjonen ikke fungerer som den skal, eller hvis de to løftesøylene ikke er synkroniserte, kan du prøve å tilbakestille løftesystemet.



Trykk på og hold inne opp- og ned-knappen samtidig. Søylene vil bevege seg ned etter noen sekunder mens det høres en pipetone.

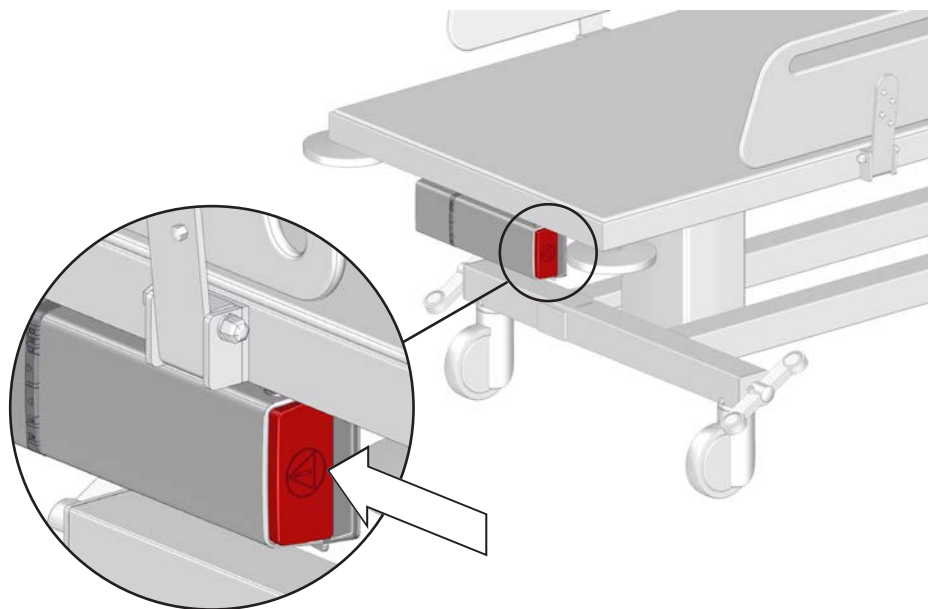


Fortsett å holde inne begge knappene til pipetonen forsvinner.

Løftesøylene er nå tilbakestilt.

## Nødstop

I nødstilfeller trykker du på nødstopknappen på batteriet. Bevegelsen oppover eller nedover stopper umiddelbart.

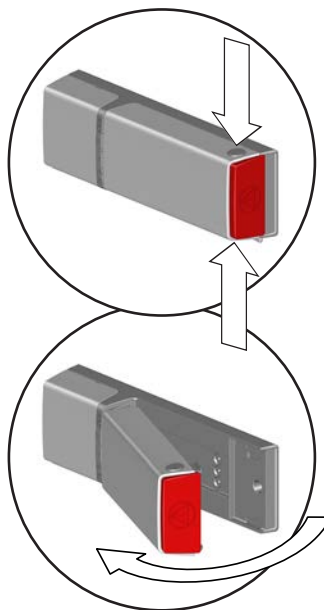


## Frigjøring av nødstop

Trykk på de to utløserknappene for å ta ut batteriet.

Sett på batteriet igjen. Sørg for at batterilåsen klikker på plass.

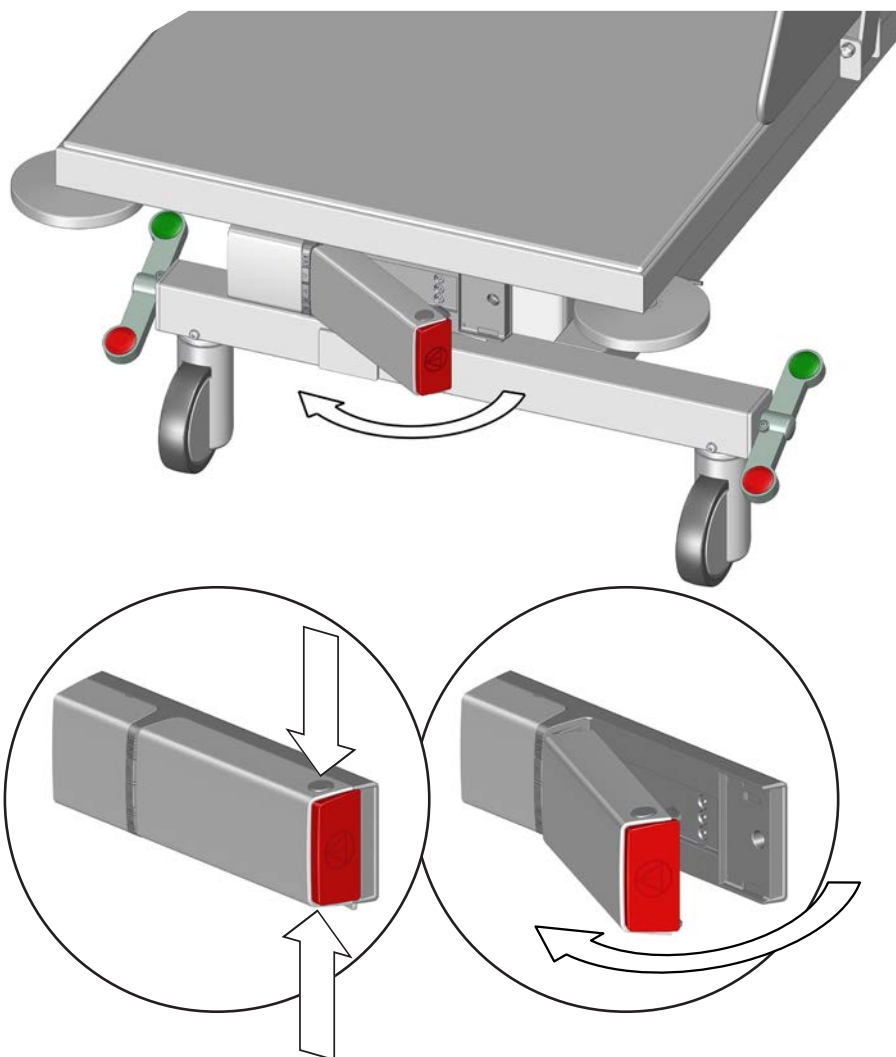
Nødstoppen er nå frigjort.



no

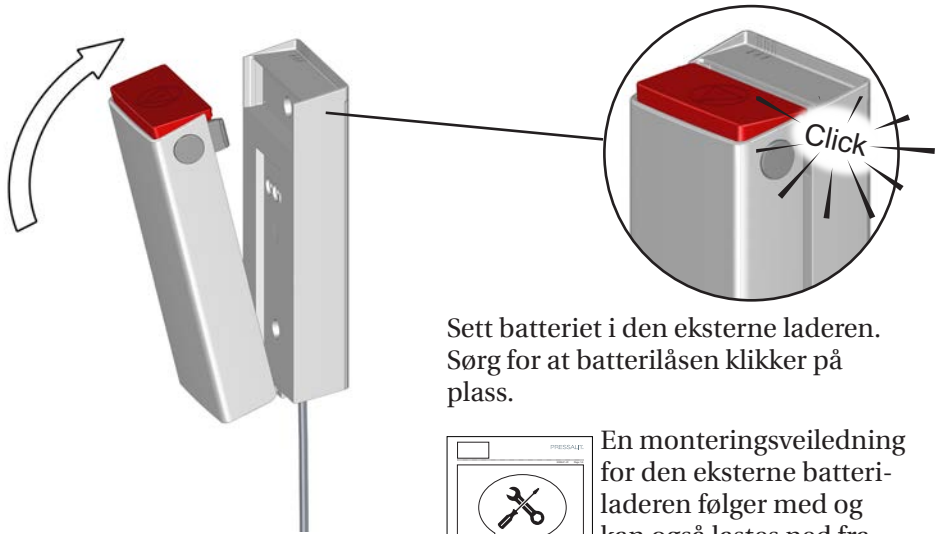
## Lade batteriet

Batteriet kan justere det mobile dusjstillebordet i høyden opptil 30 ganger når det er fulladet.

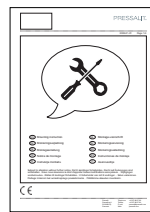


Trykk på de to utløserknappene for å ta ut batteriet for lading i den eksterne laderen.





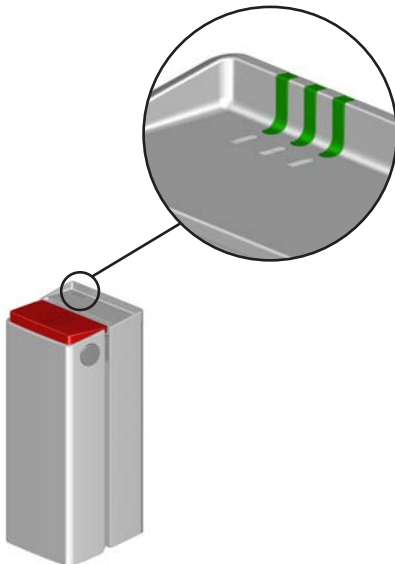
Sett batteriet i den eksterne laderen. Sørg for at batterilåsen klikker på plass.



En monteringsveiledning for den eksterne batteriladeren følger med og kan også lastes ned fra [pressalit.com](http://pressalit.com).

## Ladeindikatorer

De tre lysene på den eksterne laderen viser batteriets ladestatus.



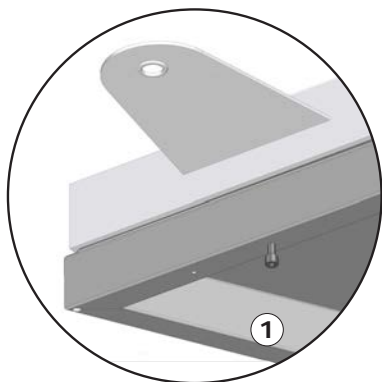
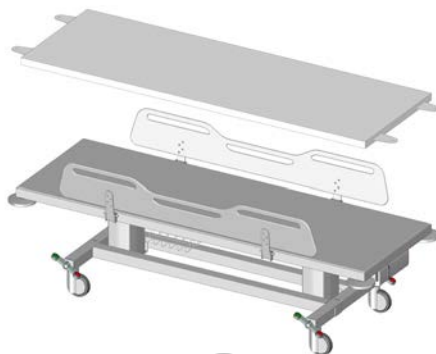
	Ladestatus
	90–100 %
	65–90 %
	40–65 %
	0–40 %
	Ladingen stoppet på grunn av lav batteritemperatur, høy batteritemperatur eller andre feiltilstander
	Ladingen stoppet på grunn av tapt kommunikasjon med batteriet

no

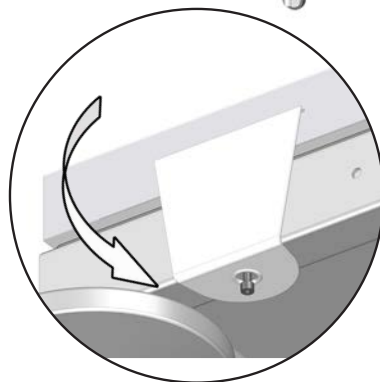
# Tilbehør

## Madrass

Den valgfrie madrassen kan plasseres på det mobile stellebordet for optimal komfort. Begge sider av madrassen kan brukes, da den er vendbar.



Skru ut låseskruen for madrassen ① omtrent en centimeter.

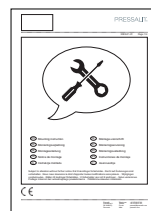


Trekk madrassklaffen ned over skruen. Gjør det samme med alle fire klaffene.

Produktet skal rengjøres med varmt vann eller et mildt rengjøringsmiddel.

Du finner en liste over passende rengjørings-/desinfeksjonsmidler testet av Pressalit, på [pressalit.com](http://pressalit.com).

En monteringsveiledning følger med dusjmadrassen og kan også lastes ned fra [pressalit.com](http://pressalit.com).

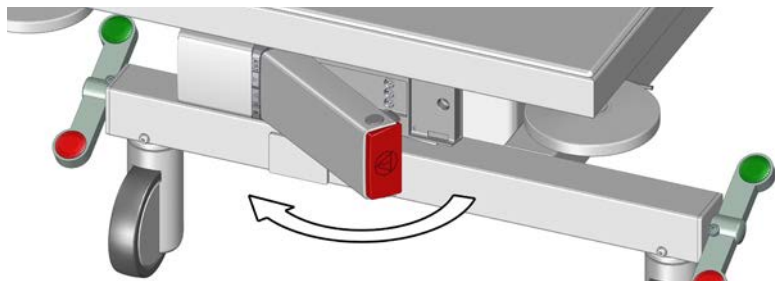


## VIKTIG

For å opprettholde hygienen anbefales det å kontrollere om madrassen har synlige skader eller tegn på slitasje med jevne mellomrom. Hvis det oppdages skader, bør den skiftes ut umiddelbart for å unngå risiko for kontaminering eller infeksjon.

# Rengjøring

Ta ut batteriet før du rengjør det mobile dusjstøllebordet.



Produktet skal rengjøres med varmt vann eller et mildt rengjøringsmiddel. Du finner en liste over passende rengjøringsmidler testet av Pressalit, på [pressalit.com](http://pressalit.com)

## **FORSIKTIG**

Les alltid produktdatabladet (MSDS) og instruksjonene som følger med rengjørings-, desinfeksjons- eller kalkfjerningsmiddelet, og følg instruksjonene for sikker bruk, fortynning, skylling, tørking, håndtering og oppbevaring av middelet.

## **VIKTIG**

- Ikke bruk autoklaving eller annen type damprengjøring.
- Unngå sterke rengjøringsmidler som inneholder syre.
- Spray aldri produktet direkte med en høytrykksspyler.
- Klorbaserte desinfiserende midler kan brukes til desinfisering av overflater i henhold til disse produktenes spesifikasjon og sikkerhetsanvisninger.

## **FORSIKTIG**

Ikke utfør noen form for rengjøring eller desinfisering av det mobile dusjstøllebordet mens pasienten ligger på det.

# Elektromagnetisk kompatibilitet



- Bruk av andre tilbehør, transduasere og kabler enn det som er spesifisert eller levert av produsenten, kan føre til økt elektromagnetisk stråling eller redusert elektromagnetisk immunitet for dette utstyret og resultere i feilfunksjon.
- Bærbart RF-kommunikasjonsutstyr (inkludert periferiutstyr som antennekabler og eksterne antenner) bør ikke brukes nærmere enn 30 cm fra noen del av enheten, inkludert kablene, for å unngå redusert ytelse for denne enheten.
- Bruk av dette utstyret ved siden av eller stablet med annet utstyr bør unngås fordi det kan føre til feilfunksjon. Hvis slik bruk er nødvendig, bør dette utstyret og det andre utstyret observeres for å bekrefte at de fungerer normalt.

## Elektromagnetiske utslipp

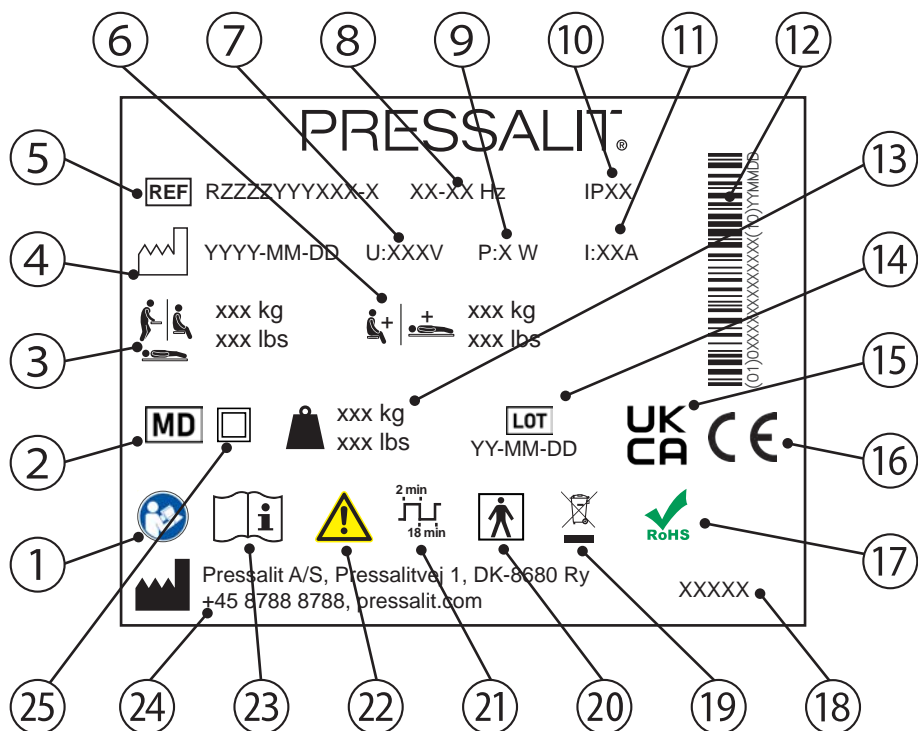
Teststandard	Testnivå / detaljer	Testresultater
60601-1-2 kap. 7.1.7 – CISPR 14	30 MHz–1 GHz	Bestått

## Elektromagnetisk immunitet

Teststandard	Overholdelsesnivå	Testnivå / detaljer	Test-resultater
EN60601-1-2 og EN17966 (Hjemmesykepleiemiljø)	=> 10 V/m 2,7 GHz	15 V/m Frekvensområde: 80 MHz–6 GHz 1 % trinnstørrelse	Bestått
EN60601-1-2 (Nærhetsfelt fra trådløst RF-kommunikasjonsutstyr)	=> 10 V/m 2,7 GHz	15 V/m Frekvensområde: 385–5785 MHz	Bestått
IEC 61000-4-4 (Elektriske raske transienter / brister)		Rask puls-simulering	Bestått
Ledede forstyrrelser forårsaket av RF	Pulsundertrykkelse, 6 V	Pulsundertrykkelse, 10 V	Bestått
Elektrostatisk utladning		Statisk ladet person utlades på enhet, 8 kV og 15 kV	Bestått (*)

\* Hvis en statisk ladet person utlades på eller nær det mobile dusjstillebordets kontrollboks, kan det oppstå en feil i løftesøylene, og en tilbakestilling må utføres. Se "**Tilbakestilling**".

# Produktetikett



1 Se brukerhåndboken

2 Medisinsk enhet

3 Maksimal brukervekt

4 Produksjonsdato

5 Artikkelnummer

6 Maks. belastning

7 Nettspenning

8 Frekvens

9 Maksimalt strømforbruk

no

⑩ IP-klasse

---

⑪ Elektrisk strøm

---

⑫ GS1-128-strekkode

---

⑬ Produktvekt

---

⑭ Partikode

---

⑮ Samsvar vurdert i Storbritannia

---

Disse produktene er CE-merket i henhold til relevante krav i:

- Forordning (EU) 2017/745 (fra 5. April 2017) om medisinsk utstyr.

⑯

- Rådskdirektiv 2006/42/EF (fra 17. mai 2006) om maskiner.
- Rådskdirektiv 2011/65/EF (fra 8. mai 2011) om RoHS.

Du finner en samsvarserklæring på [pressalit.com](http://pressalit.com)

---

⑰ Dette produktet inneholder ingen av de farlige stoffene som nevnes i rådskdirektiv 2011/65/EF om RoHS.

---

⑱ Produktnavn (hvis dette finnes)

---

⑲ Skal ikke kastes sammen med usortert husholdningsavfall. Dette produktet skal samles inn separat og returneres til den relevante gjenvinningstjenesten.

---

⑳ Anvendt del type BF. Ved normal bruk vil en del av produktet nødvendigvis komme i fysisk kontakt med pasienten, for at produktets funksjon skal kunne utføres. Produktet overholder kravene i IEC 60601-1 angående beskyttelse mot elektrisk støt

---

㉑ Driftssyklus

---

㉒ Se håndboken for viktig sikkerhetsinformasjon som f.eks. advarsler og forholdsregler

---

㉓ Se brukerhåndboken

---

㉔ Navn og adresse til produsent

---

㉕ Dobbeltisolert elektrisk apparat

---

## Oppbevaring og transport

- Temperaturen for transport og oppbevaring av enheten må være mellom 5 og 40 grader Celsius.
- Enheten må alltid transporteres i original emballasje.
- Unngå å utsette emballasjen for støt og slag.
- Bruk aldri produktet hvis emballasjen er defekt eller skadet.

## Feilsøking

Symptom	Årsak	Tiltak
Ingen strøm.	Batteriet tomt.	Lad opp batteriet. Se " <b>Lade batteriet</b> ".
Det det mobile stallebordet er skjevt.	Løftesøylene er ikke synkronisert.	Tilbakestill løftesøylene. Se " <b>Tilbakestilling</b> ".
Det mobile stallebordet kan ikke heves eller senkes.	Hvis en statisk ladet person utlades nær det mobile stallebordets kontrollboks, kan det oppstå en feil i løftesøylene.	Tilbakestill løftesøylene. Se " <b>Tilbakestilling</b> ".

Kontakt Pressalit A/S eller den lokale forhandleren hvis problemet vedvarer. Ikke prøv å reparere produktet selv, da dette vil gjøre garantien ugyldig.

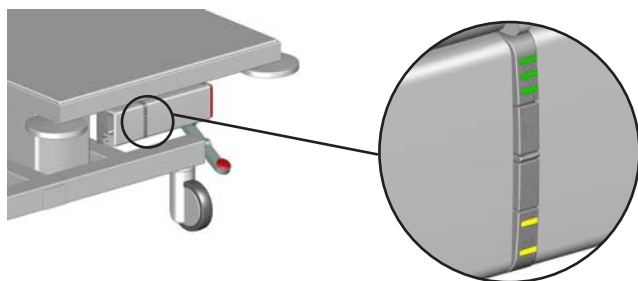
no

Forventet levetid for det mobile stallebordet er 10 år.



## Systemindikatorer

De to gule lysene på den interne laderen viser systemstatusen.



Lys	Årsak	Status	Tiltak
	Nødstopp aktivert	Stellebordet kan ikke heves eller senkes	Frigjør nødstoppen. Se " <b>Frigjøring av nødstopp</b> ".
	Systemfeil	Stellebordet kan ikke heves eller senkes	Tilbakestill løftesøylene. Se " <b>Tilbakestilling</b> ".
	Stellebord overbelastet	Stellebordet kan ikke heves eller senkes	Reduser belastningen
	Driftssyklusvern	Stellebordet kan ikke heves eller senkes	Vent til stellebordet er klart
	Service er nødvendig	Stellebordet fungerer fortsatt	Kontakt Pressalit A/S eller din lokale forhandler

## Kassering og gjenvinning

Enheden inneholder materiale som kan gjenvinnes. Det er ingen kjente farer eller risikoer forbundet med avhending av produktet. Alle komponenter kan kasseres når de er blitt rengjort og desinfisert.

Når produktet avhendes, anbefaler vi at det demonteres og sorteres i ulike avfallsgrupper for gjenvinning eller forbrenning.

Den følgende tabellen gir informasjon om gjenvinning og håndtering av produktet.

<b>Komponenter som kan gjenvinnes</b>	<b>Materiale</b>
Stål	Stål kan gjenvinnes ved at det smeltes ned og inkluderes som et sekundærmateriale ved produksjon av nytt stål.
Plast	Bruk plastsorterings- og -gjenvinningssystemer hvis slike finnes tilgjengelig lokalt. Hvis ikke kan plasten brennes, noe som genererer ny energi som for eksempel kan brukes ved kombinert varme- og kraftproduksjon.
Elektronikk	De elektroniske komponentene skal samles inn separat og returneres til den relevante gjenvinningstjenesten.

# Contenido

Símbolos utilizados en este manual .....	172
Seguridad general .....	174
Distancias de seguridad .....	175
Uso previsto .....	177
Perfil de operador previsto .....	177
Perfil de usuario previsto .....	177
Entorno de funcionamiento .....	177
Contraindicaciones de uso .....	178
Biocompatibilidad .....	178
Inflamabilidad .....	178
Instrucciones de funcionamiento .....	179
Frenos de seguridad .....	179
Soportes laterales .....	180
Regulación de la altura .....	181
Reajuste .....	181
Parada de emergencia .....	182
Desactivación de la parada de emergencia .....	182
Carga de la batería .....	183
Carga de los indicadores LED .....	184
Accesorios .....	185
Colchón .....	185
Limpieza .....	186
Compatibilidad electromagnética .....	187
Emisiones electromagnéticas .....	187
Inmunidad electromagnética .....	188
Etiqueta del producto .....	189
Almacenamiento y transporte .....	191
Resolución de problemas .....	191
Indicadores LED del sistema .....	192
Eliminación y reciclaje .....	193

# Símbolos utilizados en este manual

Los símbolos siguientes se utilizan en el presente manual y en la documentación complementaria suministrada con el producto.



**ADVERTENCIA** indica una posible situación de peligro que, de no evitarse, podría provocar la muerte o lesiones graves.



**ATENCIÓN** indica una posible situación de peligro que, de no evitarse, podría provocar lesiones leves o moderadas. También puede utilizarse para advertir de prácticas inseguras.



**IMPORTANTE** indica información importante sobre la manipulación y la utilización del producto.



**AVISO** se utiliza para hacer referencia a prácticas no relacionadas con la seguridad personal.



Advertencia de posibles lesiones en la cabeza



Advertencia de posibles lesiones en las manos



Advertencia de posibles lesiones en los genitales



Advertencia de posibles lesiones en los pies



No deje al paciente sin supervisión.



Productos compatibles



Piezas de repuesto



Peso máx. del usuario



Número/Versiones de artículo



Indicación de peso



Información eléctrica

## Seguridad general



### ADVERTENCIA

- Lea todo el manual y asegúrese de entenderlo antes de cualquier uso. Mantenga el manual cerca de la unidad.
- Siga las indicaciones del manual para evitar accidentes que podrían ocasionar daños personales graves.
- No utilice ni manipule nunca el producto de forma distinta a como se especifica en el manual, ya que podría resultar peligroso y provocar daños en el producto.
- Asegúrese de que las personas que vayan a instalar o utilizar el producto y sus sistemas pueden acceder a este manual y disponen de la información necesaria.



### ATENCIÓN

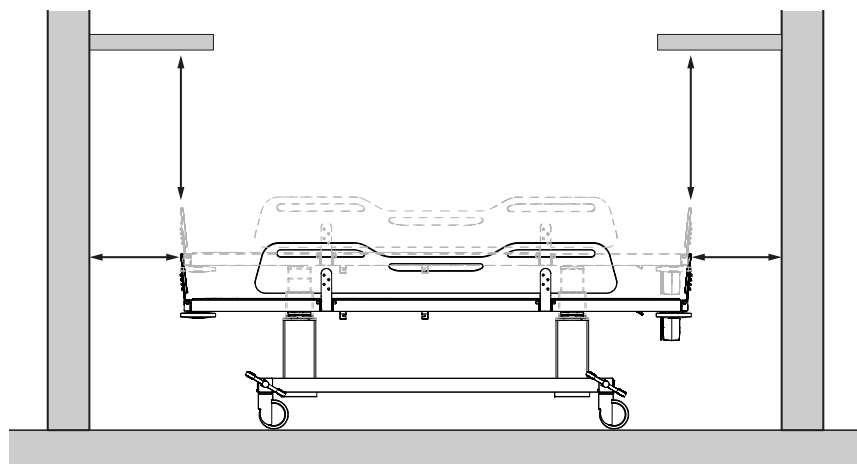
- Siga estas instrucciones para evitar dañar o destruir el producto.
- No lleve a cabo reparaciones ni operaciones de montaje y desmontaje, no instale extensiones ni reajuste o modifique el producto. Todas estas operaciones deben ser realizadas solamente por Pressalit o personas autorizadas por Pressalit.
- No deje nunca que los niños manipulen el producto sin supervisión. El producto no ha sido diseñado para el juego.
- No utilice nunca el producto si está defectuoso o dañado. No utilice nunca un producto defectuoso hasta que haya sido reparado.







### AVISO

- La información contenida en este manual se basa en el ajuste correcto del producto según nuestras instrucciones de montaje.
- Pressalit no se hace responsable de la utilización del producto de manera diferente a la descrita en la guía.
- Nos reservamos el derecho de modificar este manual sin previo aviso.

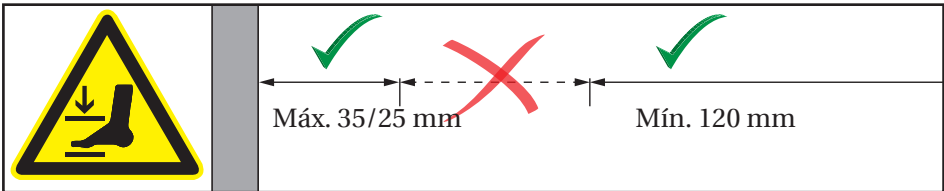
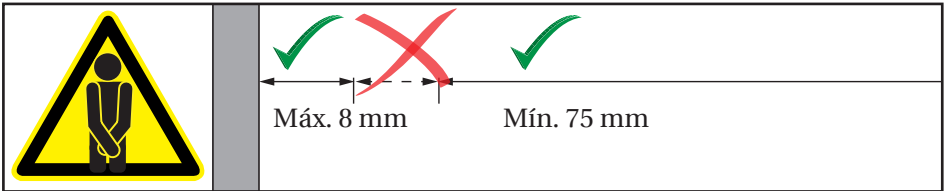
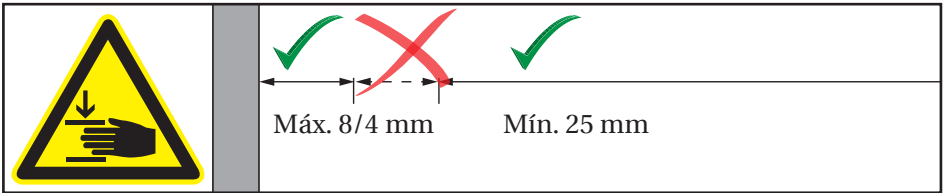
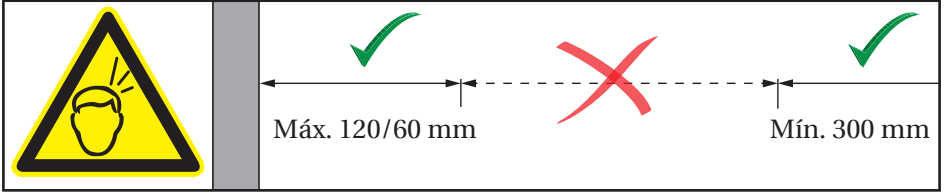
# Distancias de seguridad

Asegúrese de que haya una distancia de seguridad entre la unidad y los objetos de alrededor. Compruebe las distancias antes del uso.



ISO 17966:2016		
	Máx. 120 mm Mín. 300 mm	Máx. 60 mm Mín. 300 mm
	Máx. 8 mm Mín. 25 mm	Máx. 4 mm Mín. 25 mm
	Máx. 8 mm Mín. 75 mm	Máx. 8 mm Mín. 75 mm
	Máx. 35 mm Mín. 120 mm	Máx. 25 mm Mín. 120 mm

es



## ADVERTENCIA

Si la unidad se mueve dentro de las distancias de seguridad, exteme el control sobre las personas y los objetos de alrededor para evitar peligros de aplastamiento.



## Uso previsto

Este producto se ha diseñado para ayudar a cambiar a personas que no pueden mantenerse en pie o sentarse. La persona permanece horizontal en la camilla para cambio.

### Perfil de operador previsto

El producto debe utilizarlo únicamente personal formado en asistencia sanitaria y/o en el cambio asistencial.

### Perfil de usuario previsto

El producto puede ser utilizado con cualquier persona —adultos, niños, jóvenes y ancianos— cuyo peso no supere la **carga máxima de 200 kg**.

### Entorno de funcionamiento

La camilla para cambio está diseñada para ser utilizada a temperatura ambiente en vestuarios públicos, escuelas, casas privadas, centros de día/residenciales/ cuidado para personas mayores y hospitales en condiciones de trabajo normales. La camilla para cambio debe ser utilizada en lugares secos y no como camilla de ducha para la ducha. Si la humedad relativa es superior al 70 %, la vida útil de la unidad se reducirá considerablemente. La camilla de cambio no debe exponerse a humos que contengan cloro.

### ATENCIÓN

La superficie del producto puede estar caliente o fría si se expone a fuentes de calor o frío externas, como la luz solar o la escarcha.

### AVISO

Debe informarse al fabricante y a las autoridades sanitarias de cualquier incidente grave que haya ocurrido en relación con el producto.

Un incidente grave se define como un incidente que conduce a la muerte de un paciente, usuario o cualquier otra persona, o que provoca un deterioro temporal o permanente en la salud de la persona. Debe informarse de cualquier incidente que haya resultado o tenga el potencial de resultar en un incidente grave.

## **Contraindicaciones de uso**

No se recomienda bañarse en la camilla para ducha/cambio a mujeres embarazadas.

No se recomienda bañarse en la camilla para ducha/cambio a pacientes con bomba de infusión o insulina, enfermedades inflamatorias de la piel o a pacientes en condiciones febriles.

Se podrá bañarse en la camilla para ducha/cambio a pacientes con insuficiencia cardíaca, enfermedades cardiovasculares, lesiones craneo-cerebrales, heridas abiertas, sondas de alimentación o drenaje (p. ej. catéter, tubo de drenaje) únicamente tras haber consultado con el médico responsable.

No debe utilizarse si el peso del paciente es superior a 200 kg.

## **Biocompatibilidad**

El material en contacto con la piel del paciente o el usuario durante el procedimiento de cambio ha sido probado por su contenido de sustancias nocivas de acuerdo con la norma ISO 10993 sobre biocompatibilidad y, por lo tanto, se considera apto para su finalidad.

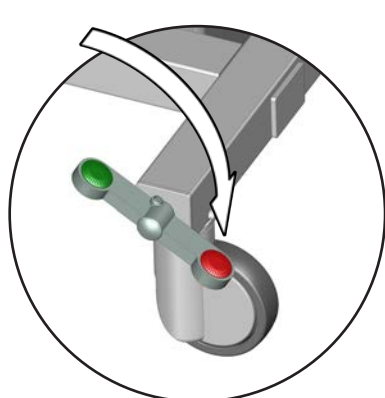
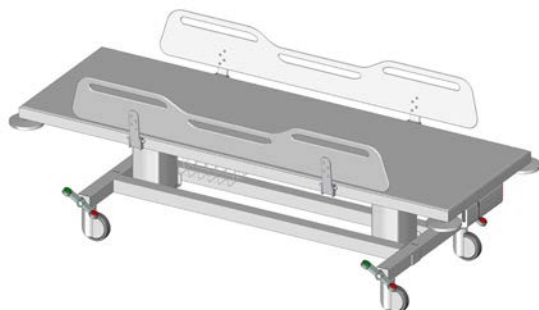
## **Inflamabilidad**

Los materiales del producto se han sometido a pruebas de inflamabilidad de acuerdo con las normas ISO 8191-1:1987 e ISO 8191-2:1988.

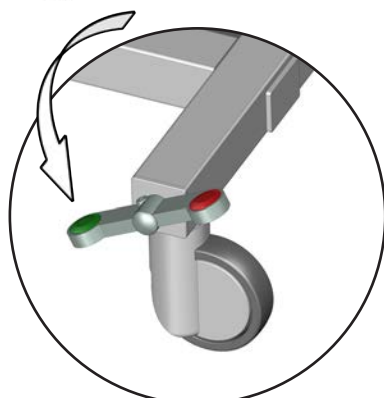
# Instrucciones de funcionamiento

## Frenos de seguridad

La camilla para cambio está equipada con frenos de seguridad en las cuatro ruedas giratorias para evitar el desplazamiento involuntario.



**Para bloquear los frenos:** pise el botón rojo de uno de los 4 pedales basculantes para bloquear los frenos de las cuatro ruedas.



**Para desbloquear los frenos:** pise el botón verde de uno de los 4 pedales basculantes para desbloquear los frenos de las cuatro ruedas.



**ADVERTENCIA**

Asegúrese siempre de que los frenos estén bloqueados antes de subir a un paciente a la camilla para cambio o de bajarlo de ella.

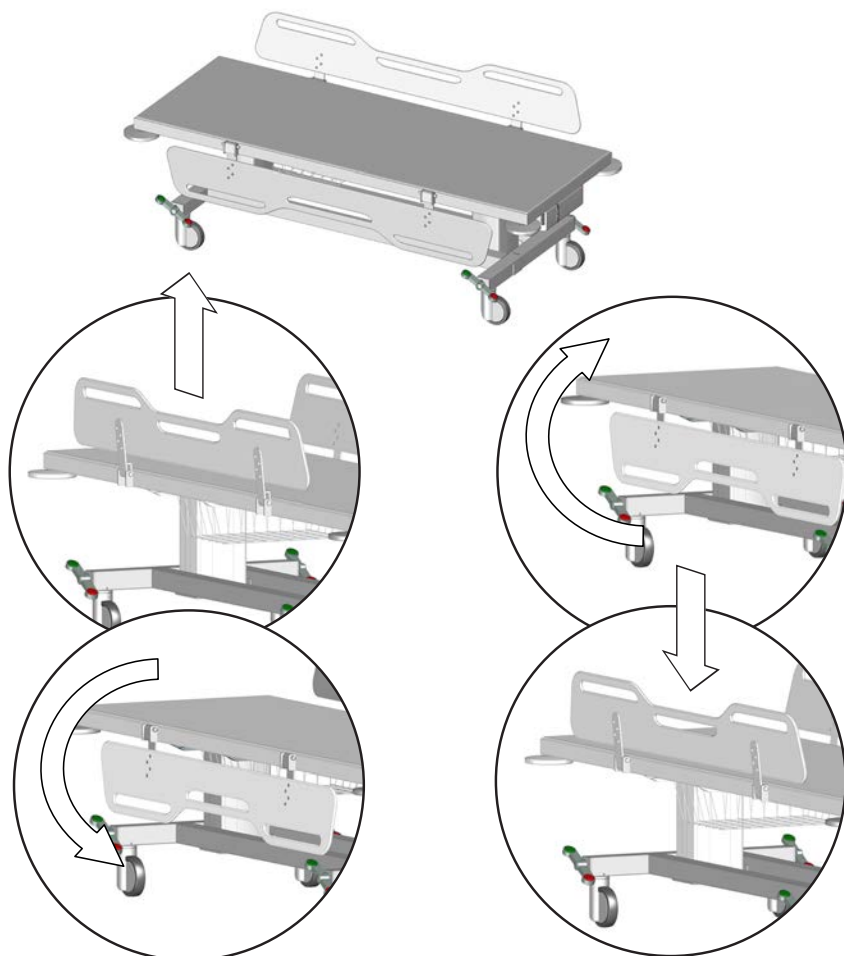


**No deje al paciente sin supervisión.**

es

## Soportes laterales

Los soportes laterales se pueden plegar y desplegar individualmente para facilitar la transferencia del paciente.



es **Para desplegar:** levante el soporte lateral para desbloquearlo y gírelo hacia abajo.

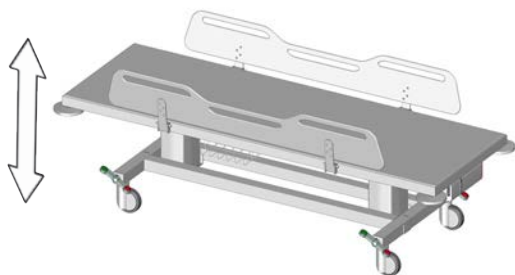
**Para plegar:** gire el soporte lateral hacia arriba y presiónelo hacia abajo para bloquearlo en su sitio.



## ADVERTENCIA

Cuando la camilla esté en uso, asegúrese de que todos los soportes laterales estén erguidos y bloqueados para evitar así que el paciente caiga de la unidad.

## Regulación de la altura



La camilla para cambio permite una regulación en altura de 400 mm.

**Peso máx. del usuario:**

**200 kg**

**Carga máxima:**

**250 kg**

El ajuste de la altura se controla remotamente con una unidad de control remota con cable.



Pulse y mantenga pulsado el botón de subida para elevar la unidad. El movimiento se detiene al soltar el botón.



Pulse y mantenga pulsado el botón de bajada para descender la unidad. El movimiento se detiene al soltar el botón.



**Para evitar el riesgo de estrangulamiento, asegúrese de que el control remoto con cable esté colocado en su soporte cuando no se utilice.**



**Extreme la precaución para evitar lesiones en las manos, los pies y la cabeza alrededor de las piezas mecánicas en movimiento.**

## Reajuste

Si la función de inclinación no funciona correctamente o si las dos columnas elevadoras no están sincronizadas, pruebe a reajustar el sistema de elevación.

es



Pulse y mantenga pulsado el botón de subida y el botón de bajada simultáneamente.

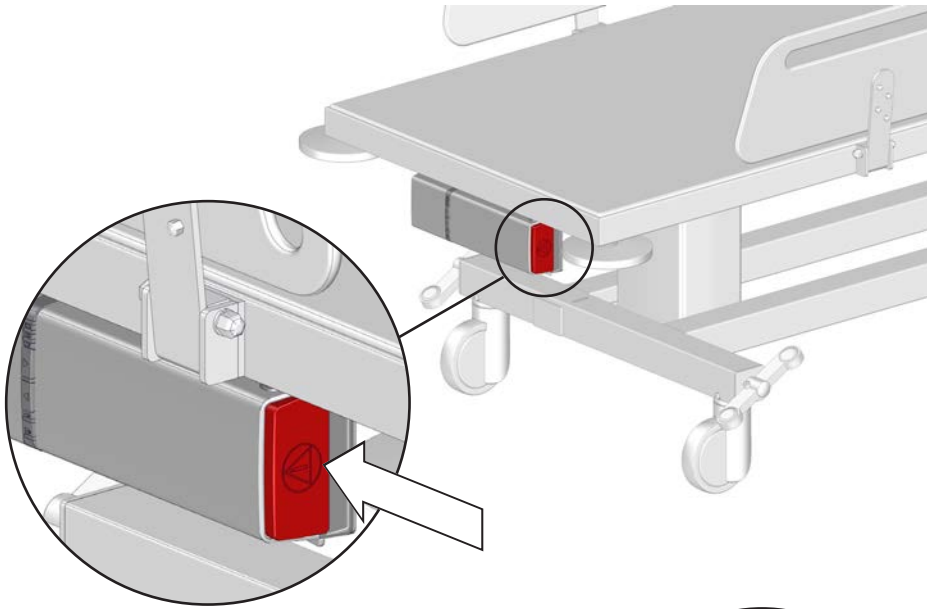


Las columnas se desplazarán hacia abajo después de unos segundos mientras se escucha una señal acústica. Mantenga pulsados los dos botones hasta que deje de sonar la señal acústica.

Las columnas de elevación se han reajustado.

## Parada de emergencia

En caso de emergencia, pulse el botón de parada de emergencia de la batería. De esta forma se detiene de inmediato el movimiento ascendente o descendente.

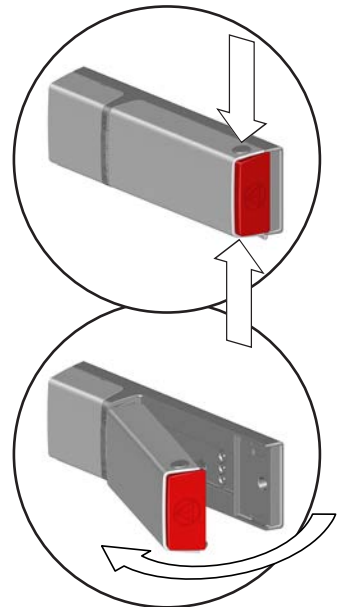


## Desactivación de la parada de emergencia

es Pulse los dos botones de presión para extraer la batería.

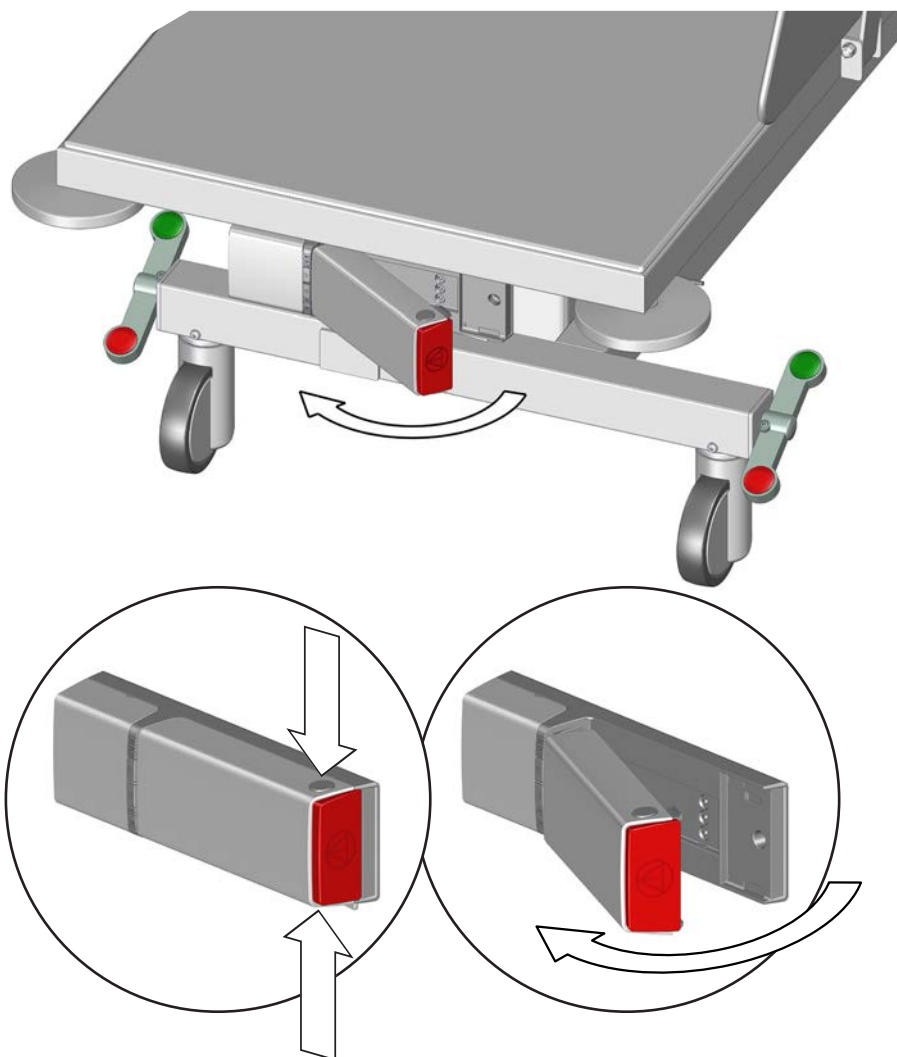
Vuelva a colocar la batería. Asegúrese de que la batería queda bloqueada en su sitio.

La parada de emergencia queda liberada.

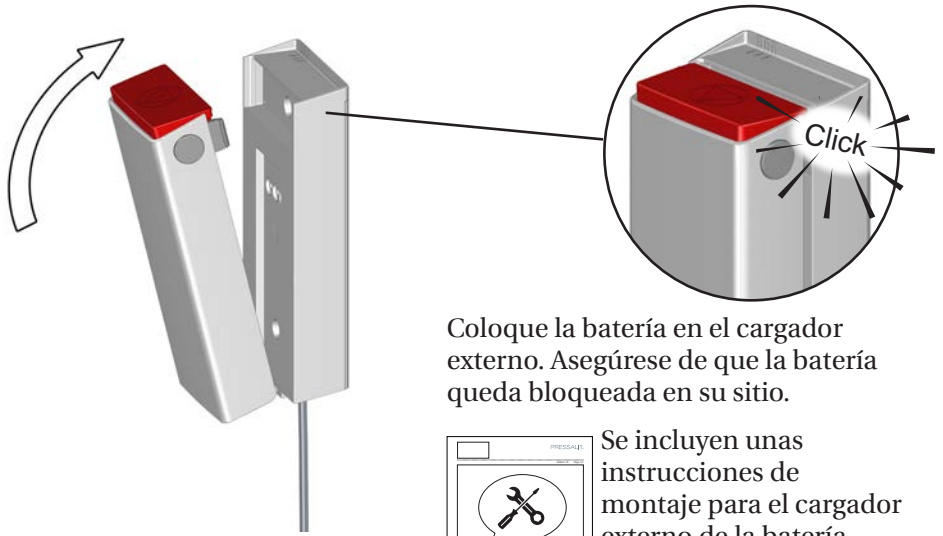


## Carga de la batería

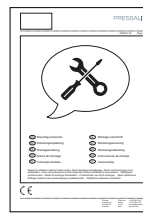
La batería permite ajustar la altura de la camilla para ducha/cambio hasta 30 veces cuando está completamente cargada.



Pulse los dos botones de presión para extraer la batería y cargarla en el cargador externo.



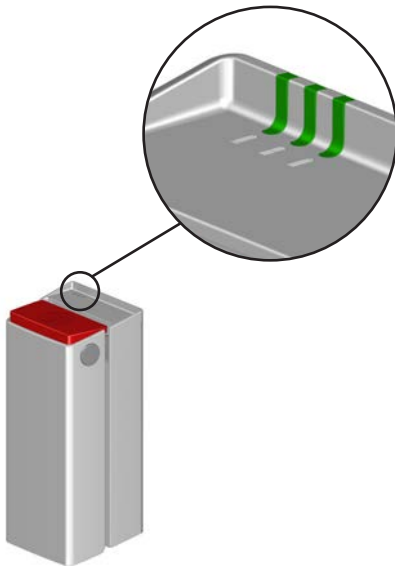
Coloque la batería en el cargador externo. Asegúrese de que la batería queda bloqueada en su sitio.



Se incluyen unas instrucciones de montaje para el cargador externo de la batería, que también pueden descargarse desde [pressalit.com](http://pressalit.com).

## Carga de los indicadores LED

Los tres indicadores LED del cargador externo indican el estado de carga de la batería.



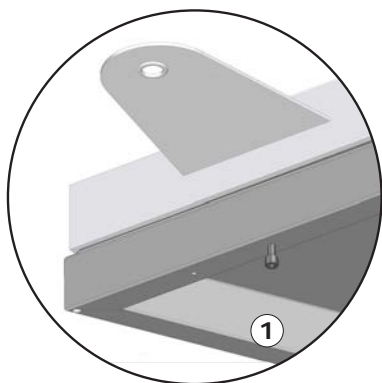
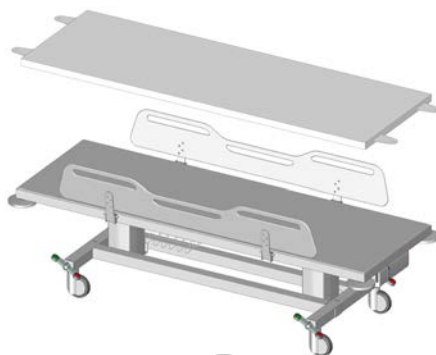
	<b>Estado de carga</b>
	90-100 %
	65-90 %
	40-65 %
	0-40 %
	Se ha detenido la carga porque la temperatura de la batería era baja, alta o por otras condiciones de error.
	Se ha detenido la carga porque se ha perdido la comunicación con la batería.



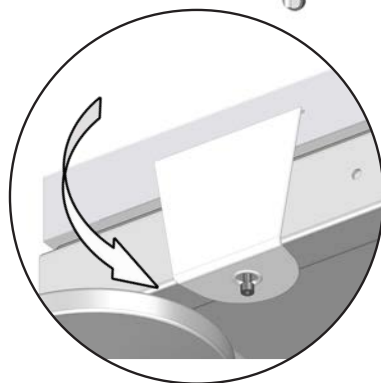
# Accesorios

## Colchón

El colchón opcional puede colocarse sobre la camilla para cambio para mayor comodidad. Pueden utilizarse ambos lados del colchón, puesto que es reversible.



Desenrosque el tornillo de bloqueo del colchón ① un centímetro aproximadamente.



Tire de la solapa del colchón y engánchela en el tornillo. Realice la misma operación con las cuatro solapas.

Limpie el producto con agua caliente o con un agente de limpieza jabonoso suave.

Encontrará una lista de agentes limpiadores/desinfectantes probados por Pressalit en [pressaliticare.com](http://pressaliticare.com).

El colchón incluye instrucciones de montaje, que también pueden descargarse desde [pressalit.com](http://pressalit.com).

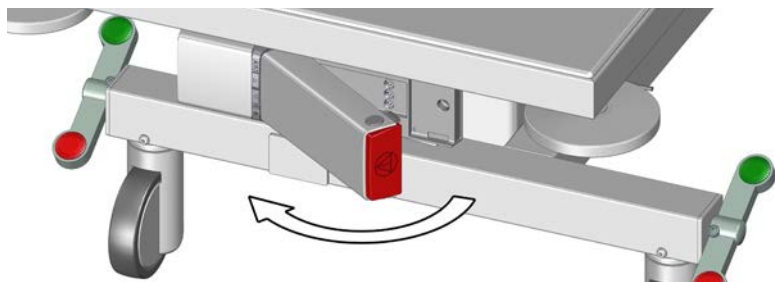


## IMPORTANTE

Para mantener la higiene, se recomienda comprobar regularmente si existen daños visibles o signos de desgaste en el colchón. Si se encuentran daños, proceda a la sustitución inmediata para evitar cualquier riesgo de contaminación o infección.

# Limpieza

Extraiga la batería antes de limpiar la camilla para ducha/cambio.



Limpie el producto con agua caliente o con un agente de limpieza jabonoso suave. Encontrará una lista de agentes limpiadores probados por Pressalit en [pressalit.com](http://pressalit.com)

## ATENCIÓN

Lea siempre las hojas de datos de seguridad (MSDS) y las instrucciones suministradas de limpieza, desinfección o del agente descalcificador y siga las instrucciones de uso seguro, dilución, aclarado, secado, manipulación y almacenamiento del agente.

## IMPORTANTE

- No utilice sistemas de autoclave ni ningún otro tipo de limpieza a vapor.
- Evite los agentes limpiadores agresivos que contengan ácidos.
- Nunca pulverice el producto directamente con limpiadores de alta presión.
- Para la desinfección de las superficies pueden utilizarse desinfectantes clorados de acuerdo con la especificación del producto y las precauciones de seguridad de estos productos.

## ATENCIÓN

No realice ningún tipo de limpieza ni desinfección de la camilla para ducha/cambio mientras el paciente esté acostado sobre ella.

# Compatibilidad electromagnética



## ADVERTENCIA

- El uso de accesorios, transductores y cables distintos de los especificados o proporcionados por el fabricante podría provocar un aumento de las emisiones electromagnéticas o una disminución de la inmunidad electromagnética de este equipo y provocar un funcionamiento incorrecto.
- Los equipos de comunicación por RF portátiles (incluidos periféricos como cables de antena o antenas externas) no deben utilizarse a menos de 30 cm de cualquier parte de la unidad, incluidos los cables, para evitar cualquier tipo de degradación del rendimiento de la unidad.
- Debe evitarse el uso del equipo junto a otros equipos, o montado encima o debajo de otros equipos, puesto que podría dejar de funcionar correctamente. Si tal uso es necesario, este equipo y los demás equipos deben ser observados para verificar que funcionan con normalidad.

## Emisiones electromagnéticas

<b>Normativa de prueba</b>	<b>Nivel de prueba/detalles</b>	<b>Resultados de la prueba</b>
60601-1-2 ch. 7.1.7 - CISPR 14	30 MHz-1 GHz	Superada

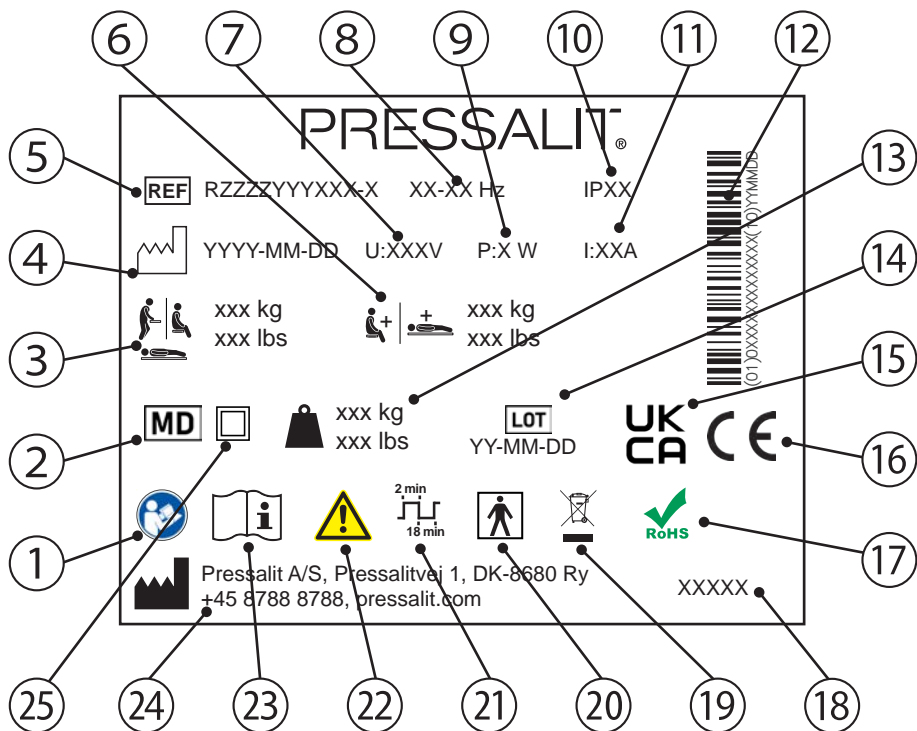
## Inmunidad electromagnética

Normativa de prueba	Nivel de cumplimiento	Nivel de prueba/detalles	Resultados de la prueba
EN60601-1-2 y EN17966 (entorno sanitario doméstico)	=> 10 V/m 2,7 GHz	15 V/m Rango de frecuencia: 80 MHz-6 GHz Tamaño de paso del 1 %	Superada
EN60601-1-2 (Campos de proximidad de equipos de comunicación por RF inalámbrica)	=> 10 V/m 2,7 GHz	15 V/m Rango de frecuencia: 385-5785 MHz	Superada
IEC 61000-4-4 (Transitorios eléctricos rápidos/en ráfagas)		Simulación de impulsos rápidos	Superada
Alteraciones conducidas inducidas por RF	Sujeción a impulsos, 6 V	Sujeción a impulsos, 10 V	Superada
Descarga electrostática		Descarga de la carga estática de la persona en la unidad, 8 kV y 15 kV	Superada (*)

es

\* Si una persona con carga estática descarga cerca de la caja de control de la camilla para ducha o en la misma, puede producirse un fallo en las columnas de elevación, en cuyo caso será necesario un reajuste. Consulte el apartado “**Reajuste**”.

# Etiqueta del producto



1 Consulte el manual de uso.

2 Producto sanitario

3 Peso máximo del usuario

4 Fecha de fabricación

5 Número de artículo

6 Carga máxima

7 Voltaje

8 Frecuencia

9 Consumo máximo de energía

⑩ Clase IP

---

⑪ Corriente eléctrica

---

⑫ Código de barras GS1-128

---

⑬ Indicación de peso

---

⑭ Código de lote

---

⑮ Conformidad evaluada del Reino Unido

---

Estos productos cuentan con marcado CE de conformidad con los requisitos incluidos en:

- Reglamento (UE) 2017/745 (del 5 de abril de 2017) sobre productos sanitarios.

⑯ • Directiva 2006/42/CE del Consejo (del 17 de mayo de 2006) sobre maquinaria.

- Directiva 2011/65/CE del Consejo (del 8 de junio de 2011) sobre RoHS.

Puede encontrar la declaración de conformidad en [pressalit.com](http://pressalit.com)

---

⑰ Este producto no contiene sustancias peligrosas mencionadas en la Directiva 2011/65/CE del Consejo sobre RoHS.

---

⑱ Nombre del producto (si hay)

---

No deseche el producto como residuo urbano no clasificado. El producto debería recogerse por separado y ser trasladado al centro de reciclaje designado.

⑳ Pieza aplicada de tipo BF. Parte del producto entra en contacto físico con el paciente durante su uso normal. El producto cumple los requisitos de la normativa IEC 60601-1 para garantizar la protección frente a descargas eléctricas.

---

㉑ Ciclo de trabajo

---

㉒ Consulte el manual para conocer la información de precaución importante como las advertencias y las precauciones.

---

㉓ Consulte el manual de uso.

---

㉔ Nombre y dirección del fabricante

---

㉕ Aparato eléctrico con aislamiento doble

---

## Almacenamiento y transporte

- La temperatura para el transporte y el almacenamiento de la unidad debe estar comprendida entre 5 y 40 grados Celsius.
- La unidad debe transportarse siempre en el embalaje original.
- Evite golpes y sacudidas al embalaje.
- No utilice el producto si el embalaje está roto o dañado.

## Resolución de problemas

Síntoma	Causa	Acción
Sin energía.	Batería agotada.	Recargue la batería. Consulte el apartado “ <b>Carga de la batería</b> ”.
La camilla para cambio está inclinada.	Las columnas de elevación no están sincronizadas.	Reajuste las columnas de elevación. Consulte el apartado “ <b>Reajuste</b> ”.
La camilla no se puede subir ni bajar.	Si una persona con carga estática descarga cerca de la caja de control de la camilla para ducha, puede producirse un fallo en las columnas de elevación.	Reajuste las columnas de elevación. Consulte el apartado “ <b>Reajuste</b> ”.

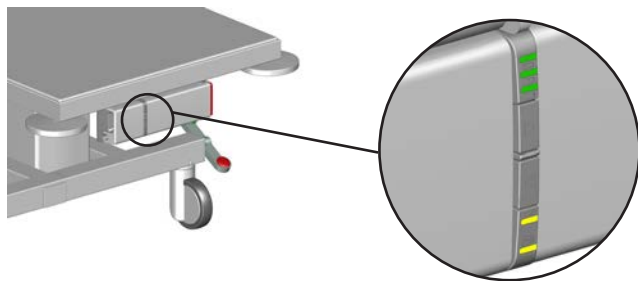
Póngase en contacto con Pressalit A/S o su distribuidor local si no logra solucionar el problema. No intente reparar el producto usted mismo, ya que anularía la garantía.






es

La vida útil estimada de la camilla para cambio es de 10 años.

## Indicadores LED del sistema

Los dos indicadores LED amarillos del cargador interno indican el estado del sistema.



LED	Causa	Estado	Acción
	Parada de emergencia activada	La unidad no se puede subir ni bajar.	Desactive la parada de emergencia. Consulte el apartado <b>“Desactivación de la parada de emergencia”</b> .
	Error del sistema	La unidad no se puede subir ni bajar.	Reajuste las columnas de elevación. Consulte el apartado <b>“Reajuste”</b> .
	Unidad sobrecargada	La unidad no se puede subir ni bajar.	Reduzca la carga.
	Protección del ciclo de trabajo	La unidad no se puede subir ni bajar.	Espere hasta que la unidad esté lista.
	Mantenimiento necesario	La unidad sigue funcionando.	Póngase en contacto con Pressalit A/S o su distribuidor local.



## Eliminación y reciclaje

La unidad contiene materiales reutilizables. No se conocen peligros o riesgos relacionados con la eliminación del producto. Todos los componentes pueden ser desechados una vez limpiados y desinfectados.

Para eliminar el producto, se recomienda desmontarlo y separar sus piezas en diferentes grupos de residuos para su reciclaje o combustión.

En la siguiente tabla encontrará información sobre el reciclaje y la gestión del producto.

<b>Componentes reciclables</b>	<b>Material</b>
Acero	El acero puede reciclarse mediante fundición e incluirse en un material secundario para la producción de acero nuevo.
Plásticos	Utilice los sistemas de clasificación y reciclaje disponibles localmente; si no los hubiera, la incineración de plástico tiene el beneficio añadido de generar energía, que puede utilizarse para la producción combinada de calor y energía.
Componentes electrónicos	Los componentes electrónicos deberían recogerse por separado y ser trasladados al centro de reciclaje designado.

# Contenuto

Simboli utilizzati in questo manuale . . . . .	195
Indicazioni generali di sicurezza . . . . .	197
Distanze di sicurezza . . . . .	198
Uso previsto . . . . .	200
Profilo dell'operatore previsto . . . . .	200
Profilo dell'utente previsto . . . . .	200
Ambiente di utilizzo . . . . .	200
Controindicazioni . . . . .	201
Biocompatibilità . . . . .	201
Infiammabilità . . . . .	201
Istruzioni per l'uso . . . . .	202
Freni di sicurezza . . . . .	202
Sponde di sicurezza . . . . .	203
Regolazione dell'altezza . . . . .	204
Ripristino . . . . .	204
Arresto di emergenza . . . . .	205
Rilascio dell'arresto di emergenza . . . . .	205
Ricarica della batteria . . . . .	206
Indicatori LED di carica . . . . .	207
Accessori . . . . .	208
Materassino . . . . .	208
Pulizia . . . . .	209
Compatibilità elettromagnetica . . . . .	210
Emissioni elettromagnetiche . . . . .	210
Immunità elettromagnetica . . . . .	211
Etichetta del prodotto . . . . .	212
Stoccaggio e trasporto . . . . .	214
Risoluzione dei problemi . . . . .	214
Indicatori LED del sistema . . . . .	215
Smaltimento e riciclaggio . . . . .	216

# Simboli utilizzati in questo manuale

In questo manuale e nella relativa documentazione fornita con il prodotto vengono utilizzati i simboli descritti in basso.



**AVVERTENZA:** indica una situazione potenzialmente pericolosa che, se non evitata, potrebbe causare morte o gravi lesioni.



**ATTENZIONE:** indica una situazione potenzialmente pericolosa che, se non evitata, può provocare lesioni lievi o moderate. Questo simbolo viene usato anche per mettere in guardia da pratiche non sicure.



**IMPORTANTE:** indica informazioni importanti relative alla gestione e all'uso del prodotto.



**AVVISO:** è usato per indicare pratiche non legate alla sicurezza personale.



Avvertenza: pericolo di lesioni alla testa



Avvertenza di pericolo lesioni alle mani



Avvertenza: pericolo di lesioni agli organi genitali



Avvertenza: pericolo di lesioni ai piedi



Non lasciare il paziente incustodito.



Prodotti compatibili



Parti di ricambio



Peso massimo dell'utilizzatore



Codice articolo/versioni



Peso del prodotto



Dati elettrici

## Indicazioni generali di sicurezza

### **AVVERTENZA**

- Leggere e comprendere a fondo il manuale prima dell'uso. Conservare il manuale in prossimità dell'unità.
- Attenersi alle indicazioni fornite nel presente manuale per evitare incidenti associati a gravi lesioni personali.
- Non utilizzare o maneggiare il prodotto in modi diversi da quelli specificati nel presente manuale; in caso contrario, si rischia di mettere a repentaglio la propria sicurezza e di danneggiare il prodotto.
- Accertarsi che tutti coloro che devono installare o utilizzare il prodotto e i suoi sistemi dispongano delle informazioni necessarie e abbiano accesso al presente manuale.

### **ATTENZIONE**

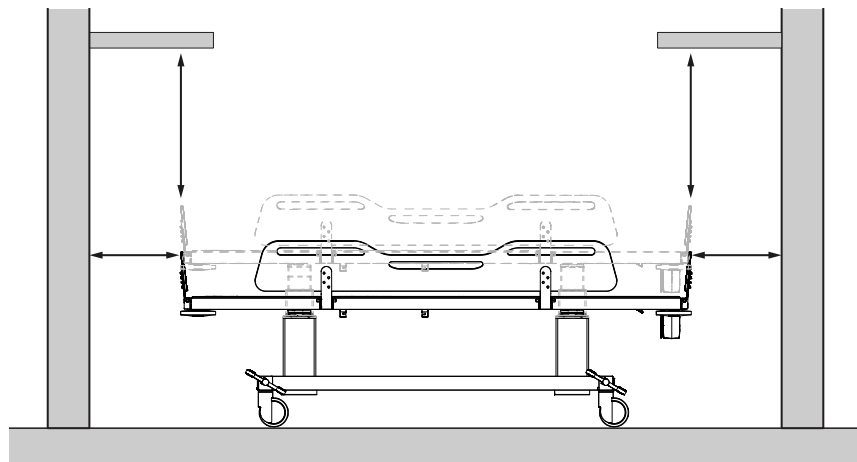
- Attenersi alle presenti istruzioni per evitare che il prodotto venga danneggiato o distrutto.
- Non eseguire riparazioni, operazioni di smontaggio o montaggio, estensioni, regolazioni o modifiche al prodotto. Tali operazioni devono essere eseguite esclusivamente da Pressalit o da persone autorizzate da Pressalit.
- Non consentire ai bambini di utilizzare questo prodotto se non supervisionati. Il prodotto non è un gioco.
- Non utilizzare mai il prodotto se è difettoso o danneggiato. Non utilizzare un prodotto difettoso prima che sia stato riparato.







### **AVVISO**

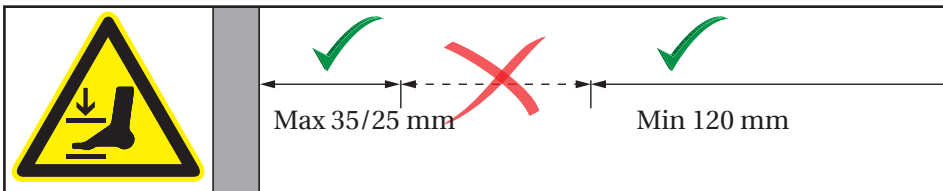
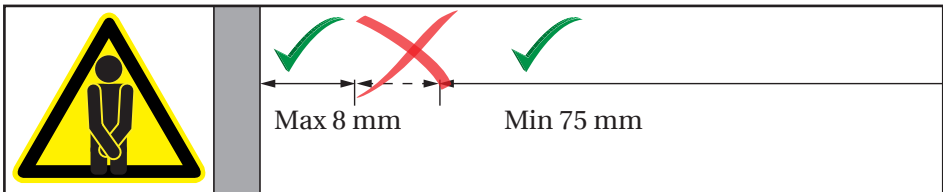
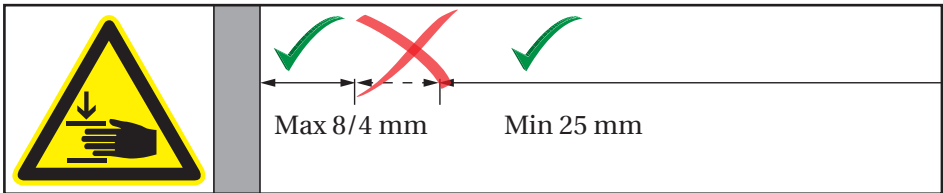
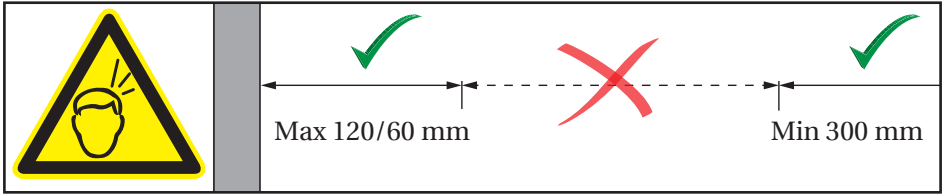
- Le informazioni contenute in questo manuale si basano sulla corretta installazione del prodotto in conformità alle nostre istruzioni di montaggio.
- Pressalit non può essere ritenuta responsabile se il prodotto viene utilizzato in modo diverso da quello descritto nella guida.
- Ci riserviamo il diritto di modificare il presente manuale senza obbligo di preavviso.

## Distanze di sicurezza

Assicurarsi che il presidio sia a distanza di sicurezza dagli oggetti circostanti. Controllare le distanze prima di ogni utilizzo.



ISO 17966:2016		
	Max 120 mm Min 300 mm	Max 60 mm Min 300 mm
	Max 8 mm Min 25 mm	Max 4 mm Min 25 mm
	Max 8 mm Min 75 mm	Max 8 mm Min 75 mm
	Max 35 mm Min 120 mm	Max 25 mm Min 120 mm



 **AVVERTENZA**

Se il presidio si muove nel rispetto delle distanze di sicurezza, è necessario prestare particolare attenzione alle persone e agli oggetti circostanti per evitare rischi di schiacciamento.

## Uso previsto

Questo prodotto è inteso come ausilio per la svestizione e la cura di una persona che non è in grado di alzarsi o sedersi in autonomia. La persona viene sdraiata orizzontalmente sulla barella per cambio di indumenti.

## Profilo dell'operatore previsto

L'uso di questo prodotto deve essere limitato al personale formato nell'assistenza sanitaria e/o nelle cure per l'igiene di persone poste sotto la loro tutela.

## Profilo dell'utente previsto

Il prodotto può essere utilizzato per chiunque, compresi adulti, bambini, giovani, anziani, il cui peso non superi la **portata massima di 200 kg**.

## Ambiente di utilizzo

La barella per cambio di indumenti è destinata all'uso a temperatura ambiente in locali dedicati all'igiene della persona pubblici, scuole, case private, strutture diurne/residenziali/con assistenza infermieristica e in ospedali in condizioni di lavoro normali.

La barella per cambio di indumenti deve essere utilizzata in ambienti asciutti e non come lettino per doccia in presenza di acqua. Se l'umidità relativa è superiore al 70%, la durata prevista del presidio si riduce notevolmente. La barella per cambio di indumenti non deve essere esposta a fumi contenenti cloro.



## ATTENZIONE

La superficie del prodotto può diventare calda o fredda se esposta a fonti esterne di calore o freddo, come la luce del sole o il gelo.

## AVVISO

Eventuali incidenti gravi verificatisi in relazione al prodotto devono essere segnalati al produttore e alle autorità sanitarie. Per incidente grave si intende un incidente che provoca il decesso di un paziente, di un utilizzatore o di qualsiasi altra persona, o che causa un peggioramento temporaneo o permanente della salute della persona. È obbligatorio segnalare qualsiasi situazione che abbia provocato o possa provocare un incidente grave.



## **Controindicazioni**

Si sconsiglia di fare il bagno sulla barella per cambio di indumenti e doccia alle donne in gravidanza.

Si sconsiglia di fare il bagno sulla barella per cambio di indumenti e doccia a pazienti sottoposti a infusione o con microinfusore per insulina, affetti da malattie infiammatorie della pelle o in stato febbrile.

Ai pazienti con insufficienza cardiaca, malattie cardiovascolari, lesioni craniocerebrali, ferite aperte, linee di alimentazione o di drenaggio (ad es. catetere, tubo di drenaggio) è possibile fare il bagno sulla barella per cambio di indumenti e doccia solo dopo aver consultato il medico curante.

Non utilizzare il presidio medico se il peso del paziente è superiore a 200 kg.

## **Biocompatibilità**

È stata eseguita una valutazione sui materiali a contatto con la pelle del paziente o dell'utilizzatore durante la procedura di cambio per esaminare il contenuto di sostanze nocive secondo la norma ISO 10993 sulla biocompatibilità e sono pertanto considerati idonei a tale scopo.

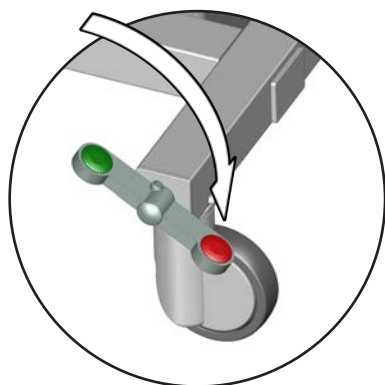
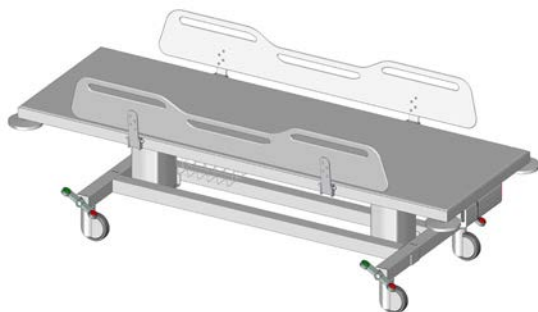
## **Infiammabilità**

I materiali del prodotto sono stati sottoposti a test di infiammabilità in conformità alle norme ISO 8191-1:1987 e ISO 8191-2:1988.

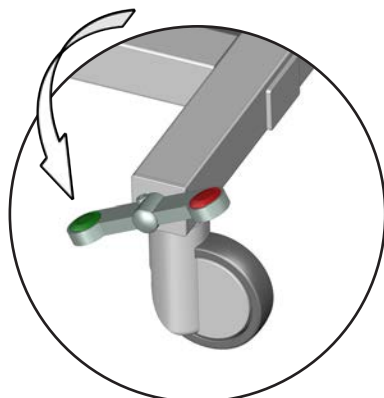
# Istruzioni per l'uso

## Freni di sicurezza

La barella per cambio di indumenti è dotata di freni di sicurezza su tutte e quattro le ruote, in modo da garantire che non si muova inavvertitamente.



**Per bloccare i freni:** premere il pulsante rosso su uno dei quattro pedali basculanti per bloccare i freni su tutte e quattro le ruote.



**Per sbloccare i freni:** premere il pulsante verde su uno dei quattro pedali basculanti per sbloccare i freni su tutte e quattro le ruote.

 **AVVERTENZA**

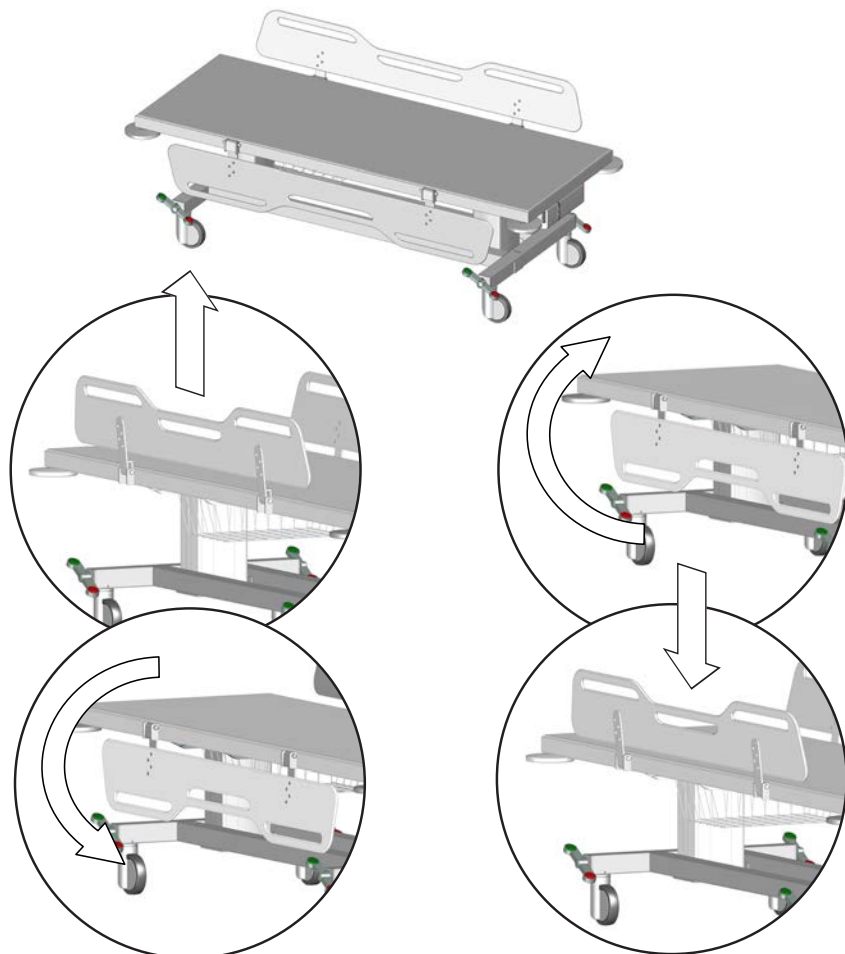
Quando si trasferisce un paziente da e verso la barella per cambio di indumenti, assicurarsi sempre che i freni siano saldamente bloccati.



**Non lasciare il paziente incustodito.**

## Sponde di sicurezza

Le sponde di sicurezza possono essere ripiegate singolarmente per facilitare il trasferimento del paziente.



**Per ripiegare:** sollevare la sponda di sicurezza verso l'alto per sbloccarla e abbassarla.

**Per inserire:** sollevare la sponda di sicurezza e spingerla verso il basso per bloccarla in posizione.

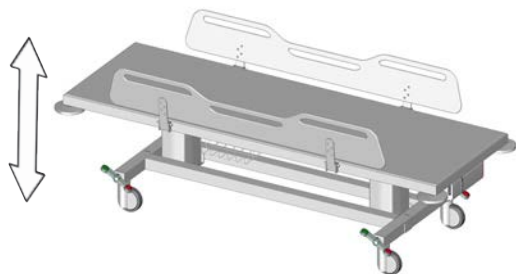
it



**AVVERTENZA**

Quando la barella è in uso, assicurarsi che tutte le sponde di sicurezza siano erette e bloccate, in modo da proteggere il paziente dalla caduta dal presidio.

## Regolazione dell'altezza





La barella per cambio di indumenti può essere sollevata o abbassata di 400 mm.

**Peso massimo dell'utilizzatore: 200 kg**  
**Portata massima: 250 kg**

La regolazione dell'altezza è controllata dal telecomando a filo.



	Per sollevare il presidio, tenere premuto il pulsante con la freccia su. Quando si rilascia il pulsante, il movimento si arresta.
	Per abbassare il presidio, tenere premuto il pulsante con la freccia giù. Quando si rilascia il pulsante, il movimento si arresta.



**Per evitare il rischio di strangolamento, assicurarsi che il telecomando a filo sia riposto nel suo supporto quando non viene utilizzato.**



**Per evitare lesioni non avvicinare le mani, i piedi o la testa alle parti meccaniche in movimento.**

## Ripristino

Se la funzione di sollevamento non funziona correttamente o se le due alzate non sono sincronizzate, provare a resettare il sistema di sollevamento.



Tenere premuto contemporaneamente il pulsante verso l'alto e il pulsante verso il basso.

Le alzate si sposteranno verso il basso dopo alcuni secondi e si udirà un segnale acustico.

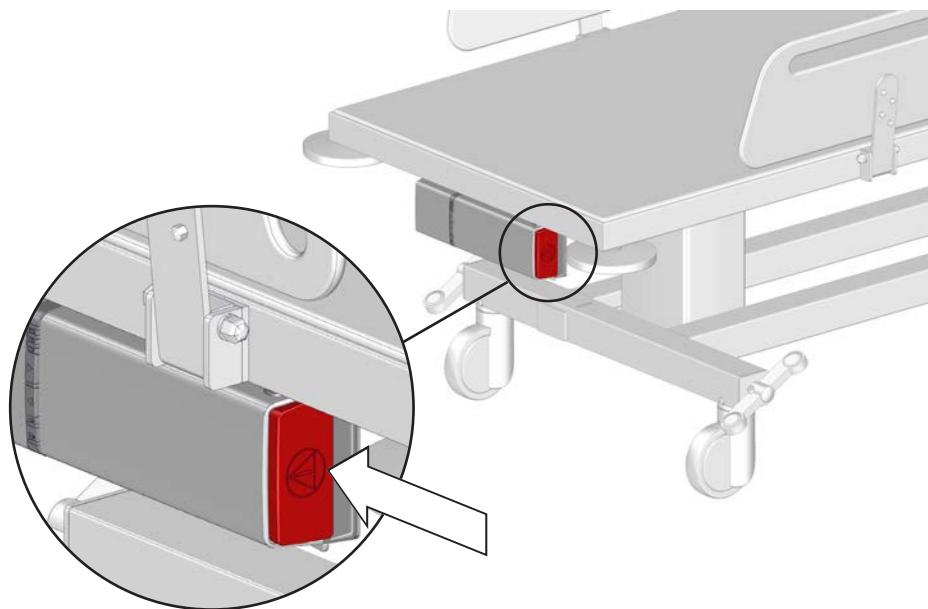


Tenere premuti entrambi i pulsanti fino a quando il segnale acustico cessa.

A questo punto, le alzate risultano resettate.

## Arresto di emergenza

In caso di emergenza, premere l'arresto di emergenza sulla batteria. Il movimento verso l'alto o verso il basso si arresterà immediatamente.

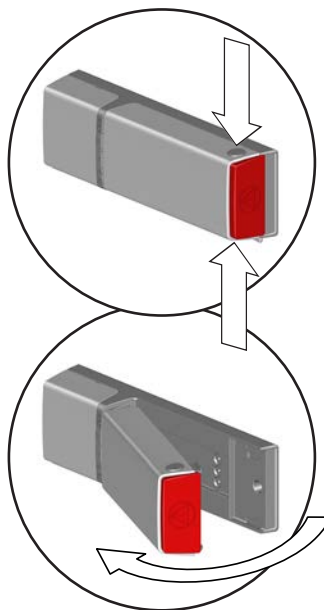


## Rilascio dell'arresto di emergenza

Premere i due pulsanti di rilascio per rimuovere la batteria.

Ricollegare la batteria. Assicurarsi che il blocco della batteria scatti in posizione.

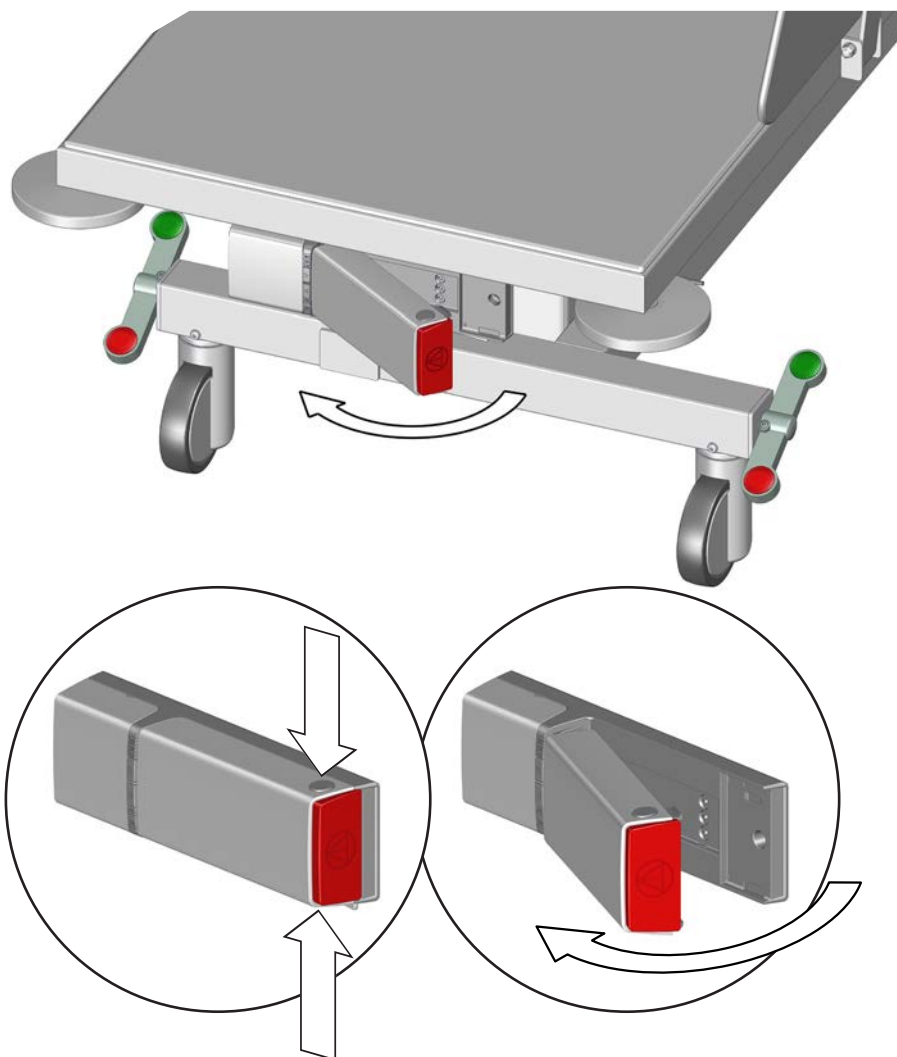
A questo punto, l'arresto di emergenza è rilasciato.



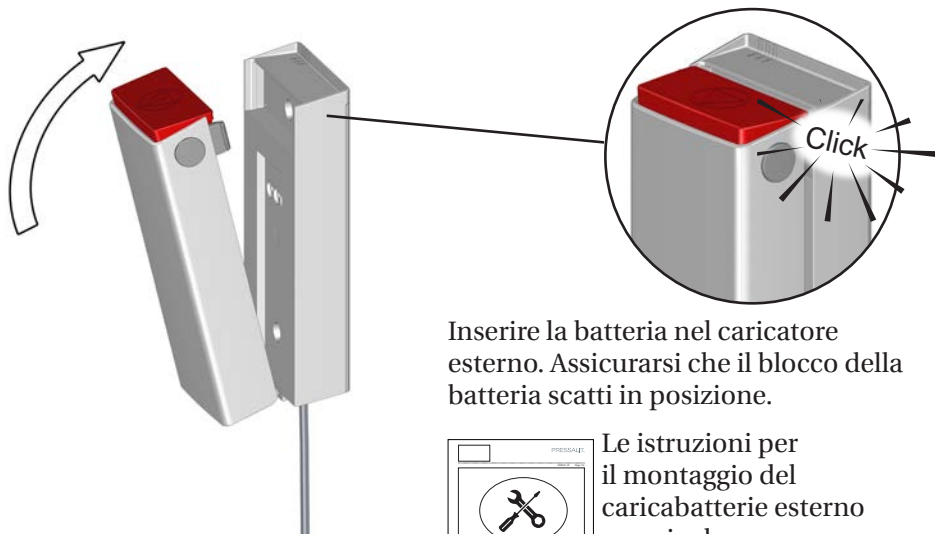
it

## Ricarica della batteria

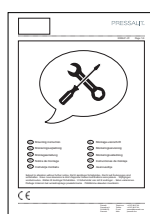
Quando è completamente carica, la batteria può regolare fino a 30 volte l'altezza della barella per cambio di indumenti e doccia.



Premere i due pulsanti di rilascio per rimuovere la batteria e caricarla nel caricatore esterno.



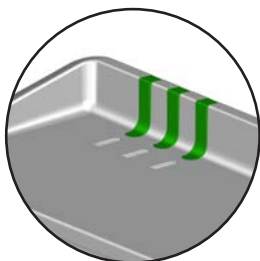
Inserire la batteria nel caricatore esterno. Assicurarsi che il blocco della batteria scatti in posizione.



Le istruzioni per il montaggio del caricabatterie esterno sono incluse e possono essere scaricate dal sito [pressalit.com](http://pressalit.com).

## Indicatori LED di carica

I tre LED del caricabatterie esterno indicano lo stato di carica della batteria.



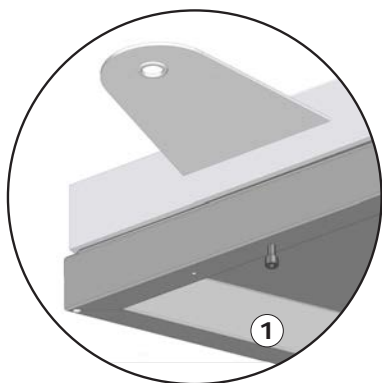
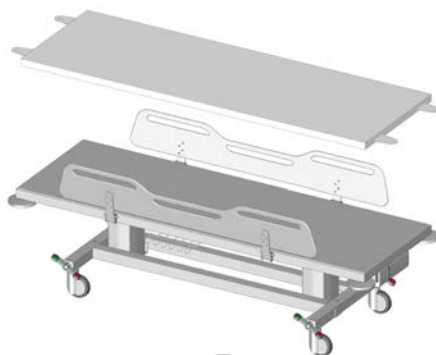
Stato di carica	
	90-100%
	65-90%
	40-65%
	0-40%
	La ricarica si è interrotta perché la temperatura della batteria è troppo bassa o troppo alta o perché si è verificata un'altra condizione di errore.
	La ricarica si è interrotta perché manca la comunicazione con la batteria.

it

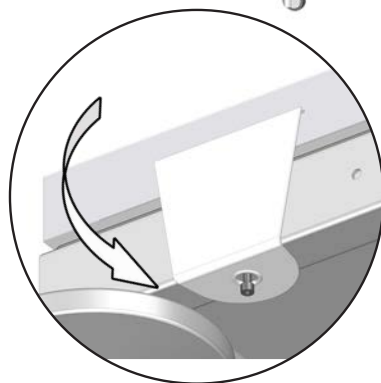
# Accessori

## Materassino

Il materassino opzionale può essere posizionato sul carrello per il cambio sulla barella per cambio di indumenti per ottenere un comfort ottimale. Dato che il materassino è reversibile, può essere utilizzato su entrambi i lati.



Svitare la vite di bloccaggio del materassino ① di circa un centimetro.



Abbassare il lembo del materassino sopra la vite. Procedere allo stesso modo con tutti e quattro i lembi.

Il prodotto deve essere pulito con acqua calda o con un detergente delicato e sapone. Un elenco di detergenti/disinfettanti idonei testati da Pressalit è disponibile sul sito [pressalit.com](http://pressalit.com).

Le istruzioni di montaggio sono incluse nel materassino e possono essere scaricate dal sito [pressalit.com](http://pressalit.com).



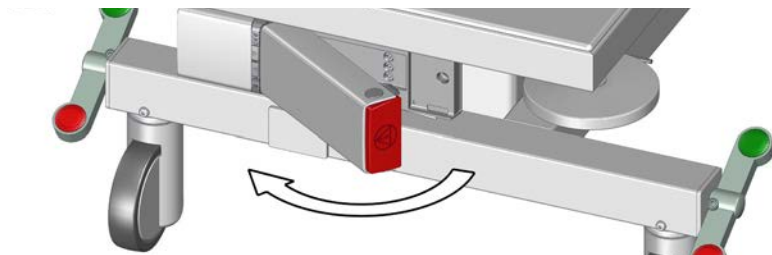
## IMPORTANTE

Per motivi di igiene, si raccomanda di controllare regolarmente se il materassino presenta danni visibili o segni di usura. Se si riscontrano danni, deve essere sostituito immediatamente per evitare qualsiasi rischio di contaminazione o infezione.



## Pulizia

Rimuovere la batteria prima di pulire la barella per cambio di indumenti e doccia.



Il prodotto deve essere pulito con acqua calda o con un detergente delicato e sapone. Un elenco di detergenti/disinfettanti idonei testati da Pressalit è disponibile sul sito [pressalit.com](http://pressalit.com).

### **ATTENZIONE**

Leggere sempre la scheda di sicurezza (MSDS) e le istruzioni fornite per detergente, disinfettante o disincrostante e attenersi alle istruzioni per l'uso, la diluizione, il risciacquo, l'asciugatura, la manipolazione e lo stoccaggio in sicurezza dell'agente in questione.

### **IMPORTANTE**

- Non utilizzare autoclave o altro tipo di pulitore a vapore.
- Evitare detergenti aggressivi contenenti acidi.
- Non rivolgere il getto diretto di un'idropulitrice sul prodotto.
- Per la disinfezione delle superfici, è possibile utilizzare disinfettanti a base di cloro in conformità alle specifiche del prodotto e alle precauzioni di sicurezza per questi prodotti.

### **ATTENZIONE**

Se il paziente è sdraiato sulla barella per cambio di indumenti e doccia, non effettuare alcun tipo di pulizia o disinfezione del presidio.

# Compatibilità elettromagnetica

## **AVVERTENZA**

- L'uso di accessori, trasduttori e cavi diversi da quelli specificati o forniti dal produttore potrebbe causare un aumento delle emissioni elettromagnetiche o una riduzione dell'immunità elettromagnetica di questa apparecchiatura e provocare un funzionamento improprio.
- Le apparecchiature di comunicazione RF portatili (comprese le periferiche come i cavi di antenna e le antenne esterne) devono essere utilizzate a una distanza non inferiore a 30 cm da qualsiasi parte del presidio, compresi i suoi cavi, per evitare un degrado delle prestazioni del presidio.
- Il posizionamento di altre apparecchiature accanto o sopra questa apparecchiatura potrebbe causare un funzionamento improprio. Se tale posizionamento è necessario, osservare questa e le altre apparecchiature per verificare che funzionino normalmente.

## Emissioni elettromagnetiche

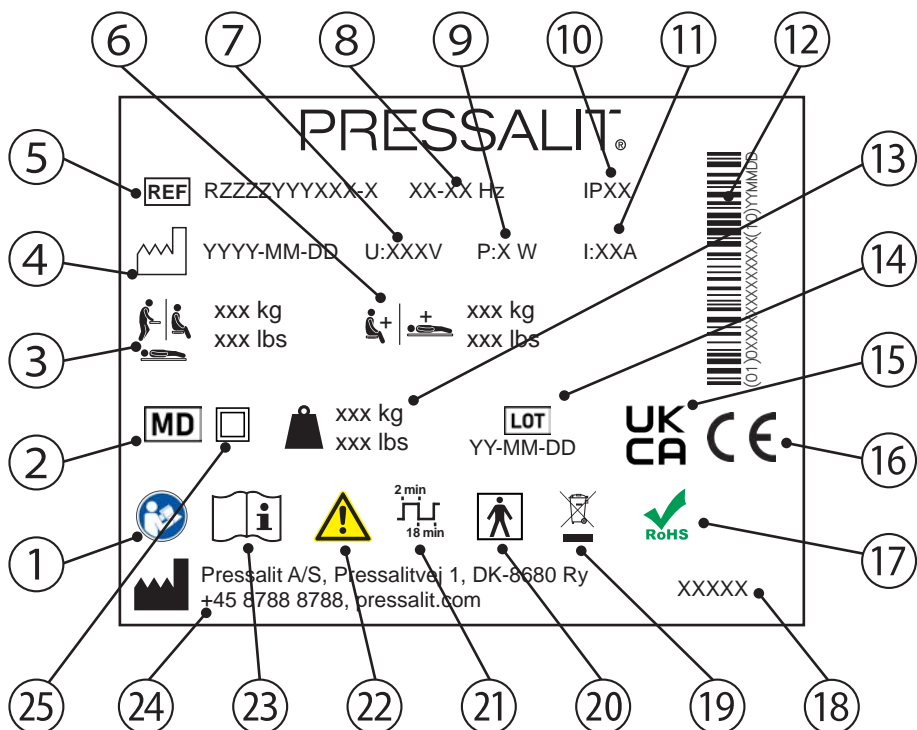
<b>Standard della prova</b>	<b>Livello di prova / dettagli</b>	<b>Risultati del test</b>
60601-1-2 cap. 7.1.7 - CISPR 14	30 MHz - 1 GHz	Superato

## Immunità elettromagnetica

Standard della prova	Livello di conformità	Livello di prova / dettagli	Risultati del test
EN60601-1-2 e EN17966 (ambiente sanitario domestico)	=> 10 V/m 2,7 GHz	15 V/m Gamma di frequenza: 80 MHz - 6 GHz Passo dell'1%	Superato
EN60601-1-2 (campi di prossimità provenienti da apparecchiature di comunicazione RF wireless)	=> 10 V/m 2,7 GHz	15 V/m Gamma di frequenza: 385-5785 MHz	Superato
IEC 61000-4-4 (transitori elettrici veloci / scoppi)		Simulazione di impulsi rapidi	Superato
Disturbi condotti indotti dai campi RF	Soggetto a impulsi, 6 V	Soggetto a impulsi, 10 V	Superato
Scariche elettrostatiche		Scarica sul presidio di una persona carica staticamente, 8 kV e 15 kV	Superato (*)

\* Se una persona carica staticamente si scarica sopra o vicino alla centralina di comando della barella per doccia, si può verificare un guasto alle alzate e diventa quindi necessario eseguire un reset. Vedere **“Reset”**.

# Etichetta del prodotto



- ① Consultare il manuale d'uso

---

- ② Dispositivo medico

---

- ③ Peso massimo dell'utilizzatore

---

- ④ Data di produzione

---

- ⑤ Codice articolo

---

- ⑥ Portata massima

---

- ⑦ Tensione di rete

---

- ⑧ Frequenza

---

- ⑨ Consumo energetico massimo

⑩ Classe IP

---

⑪ Corrente elettrica

---

⑫ Codice a barre GS1-128

---

⑬ Peso del prodotto

---

⑭ Codice lotto

---

⑮ Conformità britannica comprovata

---

Questi prodotti sono dotati di marchio CE in conformità ai requisiti applicabili relativi a:

- Regolamento (UE) 2017/745 (5 aprile 2017) relativo ai dispositivi medici.
- Direttiva 2006/42/CE del Consiglio (del 17 maggio 2006) relativa alle macchine.
- Direttiva (RoHS) 2011/65/CE del Consiglio (dell'8 giugno 2011).

La dichiarazione di conformità è disponibile sul sito [pressalit.com](http://pressalit.com)

---

⑰ Questo prodotto non contiene nessuna delle sostanze pericolose menzionate nella Direttiva (RoHS) 2011/65/CE del Consiglio.

---

⑱ Nome del prodotto (se presente)

---

⑲ Non smaltire come rifiuto urbano indifferenziato. Il prodotto deve essere raccolto separatamente e consegnato al servizio di riciclaggio designato.

---

⑳ Parte applicata di tipo BF: parte del prodotto che, in condizioni normali di utilizzo, entra necessariamente in contatto fisico con il paziente per svolgere la propria funzione. Il prodotto è conforme ai requisiti della norma IEC 60601-1 per la protezione dalle scosse elettriche.

---

㉑ Ciclo di lavoro

---

㉒ Consultare il manuale per informazioni di sicurezza importanti, quali avvertenze e precauzioni.

---

㉓ Consultare il manuale d'uso

---

㉔ Nome e indirizzo del fabbricante

---

㉕ Apparecchio elettrico a doppio isolamento

---

## Stoccaggio e trasporto

- La temperatura di trasporto e stoccaggio del presidio deve essere compresa tra 5 °C e 40 °C.
- Il presidio deve essere sempre trasportata utilizzando l'imballaggio originale.
- Evitare di sottoporre l'imballaggio a urti e colpi.
- Non utilizzare il prodotto se l'imballaggio è rotto o danneggiato.

## Risoluzione dei problemi

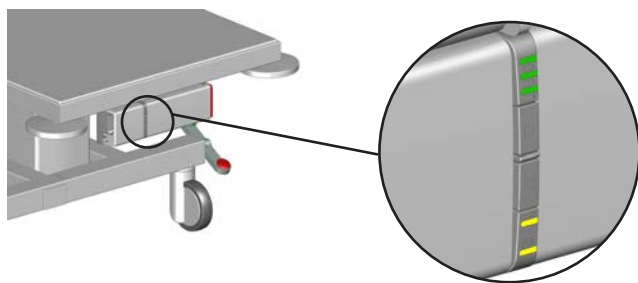
Sintomo	Causa	Azione
Assenza di alimentazione.	Batteria esaurita.	Ricaricare la batteria. Vedere " <b>Ricarica della batteria</b> ".
La barella per cambio di indumenti è inclinata.	Le alzate sono sfasate.	Ripristinare le alzate. Vedere " <b>Reset</b> ".
Non è possibile sollevare o abbassare la barella.	Se una persona carica staticamente si scarica vicino alla centralina di comando della barella, si può verificare un guasto alle alzate.	Ripristinare le alzate. Vedere " <b>Reset</b> ".






Se non è possibile risolvere il problema, contattare Pressalit A/S o il proprio rivenditore di zona. Per non invalidare la garanzia non tentare di riparare il prodotto in autonomia.

La durata prevista della barella per cambio di indumenti è di 10 anni.

## Indicatori LED del sistema

I due LED gialli sul caricatore interno indicano lo stato del sistema.



LED	Causa	Stato	Azione
	Arresto di emergenza attivato	Il presidio non può essere sollevato o abbassato	Rilasciare l'arresto di emergenza. Vedere " <b>Rilascio dell'arresto di emergenza</b> ".
	Errore di sistema	Il presidio non può essere sollevato o abbassato	Ripristinare le alzate. Vedere " <b>Reset</b> ".
	Presidio sovraccarico	Il presidio non può essere sollevato o abbassato	Ridurre il carico
	Protezione del ciclo di lavoro	Il presidio non può essere sollevato o abbassato	Attendere che il presidio sia pronto
	Assistenza necessaria	Il presidio è ancora in funzione	Contattare l'assistenza Pressalit o il rivenditore locale

## Smaltimento e riciclaggio

Il presidio contiene materiali riutilizzabili. Non sono noti pericoli o rischi associati allo smaltimento del prodotto. Tutti i componenti possono essere smaltiti dopo essere stati puliti e disinfettati.

Quando si smaltisce il prodotto, si consiglia di smontarlo e di suddividerlo a seconda della tipologia di rifiuto da destinare al riciclaggio o alla combustione.

La seguente tabella fornisce informazioni sul riciclaggio e la gestione del prodotto.

<b>Componenti riciclabili</b>	<b>Materiale</b>
Acciaio	L'acciaio può essere riciclato mediante fusione e incluso come materiale secondario nella produzione di nuovo acciaio.
Plastica	Se disponibili a livello locale, utilizzare sistemi di selezione e riciclaggio della plastica; in caso contrario l'incenerimento della plastica ha l'ulteriore vantaggio di generare energia da utilizzare, ad esempio, per la produzione combinata di calore ed energia.
Elettronica	I componenti elettronici devono essere raccolti separatamente e consegnati al servizio di riciclaggio designato.



# Sisältö

Tässä oppaassa käytetyt symbolit .....	218
Yleinen turvallisuus .....	220
Turvaetäisyydet .....	221
Käyttötarkoitus .....	223
Hoitajan profiili .....	223
Käyttäjän profiili .....	223
Käyttöympäristö .....	223
Käytön vasta-aiheet .....	224
Biosopeutuvuus .....	224
Syttyvyys .....	224
Käyttöohjeet .....	225
Turvajarrut .....	225
Sivutuet .....	226
Korkeuden säätö .....	227
Nollaus .....	227
Hätäpysäytys .....	228
Hätäpysäyttimen vapauttaminen .....	228
Akun lataaminen .....	229
Latauksen LED-merkkivalot .....	230
Lisävarusteet .....	231
Patja .....	231
Puhdistus .....	232
Sähkömagneettinen yhteensopivuus .....	233
Sähkömagneettiset päästöt .....	233
Sähkömagneettinen häiriönsieto .....	234
Tuotetarra .....	235
Varastointi ja kuljetus .....	237
Vianmääritys .....	237
Järjestelmän LED-merkkivalot .....	238
Hävittäminen ja kierrätys .....	239

# Tässä oppaassa käytetyt symbolit

Tässä oppaassa ja tuotteen mukana toimitetuissa ohjeissa käytetään seuraavia symboleja.



**VAROITUS** viittaa mahdollisesti vaaralliseen tilanteeseen, joka voi johtaa kuolemaan tai vakavaan loukkaantumiseen, jos sitä ei vältetä.



**HUOMAUTUS** viittaa mahdollisesti vaaralliseen tilanteeseen, joka voi johtaa lievään tai kohtalaiseen loukkaantumiseen, jos sitä ei vältetä. Sitä voidaan käyttää myös varoittamaan vaarallisista käytännöistä.



**TÄRKEÄÄ** viittaa tärkeisiin tietoihin tuotteen käsittelystä ja käytöstä.



**HUOMAA**-merkintää käytetään sellaisten käytäntöjen käsittelyyn, jotka eivät liity henkilökohtaiseen turvallisuuteen.



Päävamman varoitus



Käsivamman varoitus



Sukupuolielinvamman varoitus



Jalkavamman varoitus



Älä jätä potilasta ilman valvontaa.



Yhteensopivat tuotteet



Varaosat



Käyttäjän enimmäispaino



Artikkelin numero/versiot



Tuotteen paino



Sähkötiedot

# Yleinen turvallisuus

## **VAROITUS**

- Lue ja ymmärrä käyttöohje huolellisesti ennen käyttöä. Pidä käyttöopas lähellä laitetta.
- Noudata tätä käyttöohjetta, jotta vältät onnettomuudet, myös vakavat henkilövahingot.
- Älä koskaan käytä tai käsittele tuotetta muulla kuin tässä käyttöohjeessa mainitulla tavalla, sillä se voi vaarantaa turvallisuutesi ja vahingoittaa tuotetta.
- Varmista, että kaikilla tuotteen käyttäjillä ja sen järjestelmien asentajilla on tarvittavat tiedot ja pääsy tähän käyttöohjeeseen.

## **HUOMAUTUS**

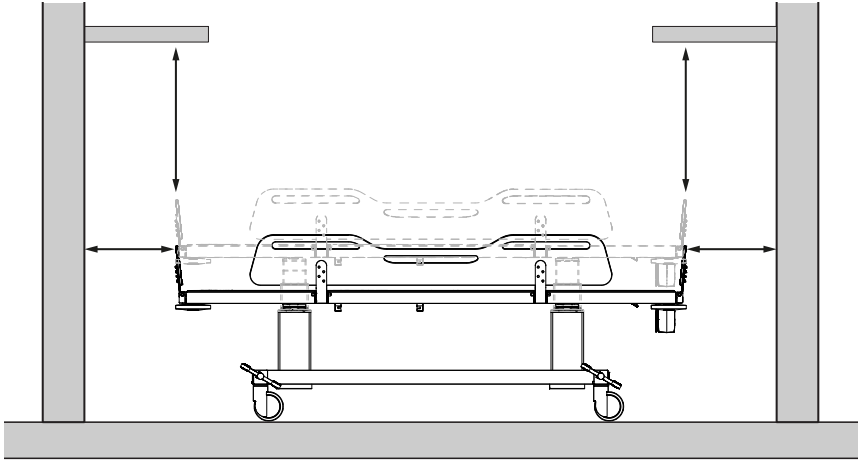
- Noudata näitä ohjeita, jotta tuote ei vahingoitu tai tuhoudu.
- Älä tee tähän tuotteeseen korjaus-, purku- tai kokoonpanotoimenpiteitä, laajennuksia, säätöjä tai muutoksia. Ne on annettava ainoastaan Pressalitin tai Pressalitin valtuuttamien henkilöiden tehtäväksi.
- Älä koskaan anna lasten käyttää tätä tuotetta ilman valvontaa. Tuotetta ei ole tarkoitettu leikkimiseen.
- Älä koskaan käytä tuotetta, jos se on viallinen tai vaurioitunut. Älä käytä viallista tuotetta ennen kuin se on korjattu.







## **HUOMAA**

- Tämän käyttöohjeen tiedot perustuvat asennusohjeidemme mukaisesti oikein asennettuun tuotteeseen.
- Pressalit ei ole vastuussa, jos tuotetta käytetään tavalla, joka poikkeaa oppaassa kuvatusta.
- Pidätämme oikeuden muuttaa tätä käyttöohjetta ilman ennakoilmoitusta.

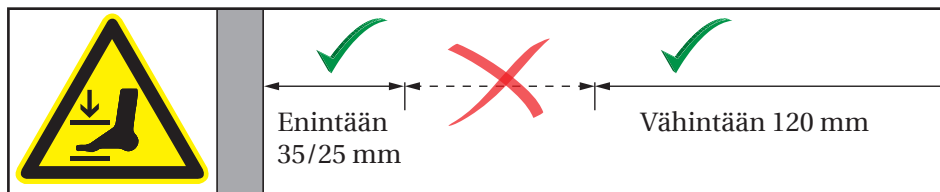
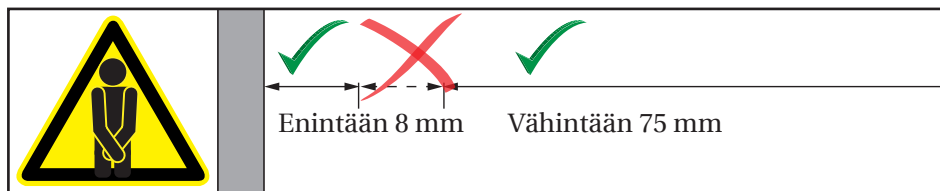
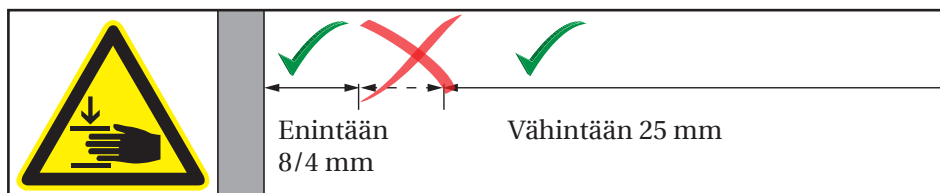
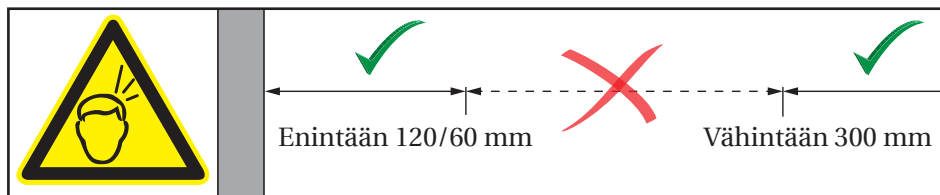
# Turvaetäisyydet

Varmista, että yksikkö on turvallisella etäisyydellä ympäröivistä esineistä. Tarkista etäisyydet ennen käyttöä.



ISO 17966:2016		
	Enintään 120 mm Vähintään 300 mm	Enintään 60 mm Vähintään 300 mm
	Enintään 8 mm Vähintään 25 mm	Enintään 4 mm Vähintään 25 mm
	Enintään 8 mm Vähintään 75 mm	Enintään 8 mm Vähintään 75 mm
	Enintään 35 mm Vähintään 120 mm	Enintään 25 mm Vähintään 120 mm

fi



 **VAROITUS**

Jos yksikkö liikkuu turvaetäisyydellä, sinun on tarkkailtava ympäröiviä ihmisiä ja esineitä erityisen tarkasti, jotta vältetään puristumisvaara.

# Käyttötarkoitus

Tämä tuote on tarkoitettu sellaisen henkilön vaatteiden vaihtamiseen, joka ei pysty seisomaan tai istumaan. Henkilö makaa vaatteiden vaihtovaunussa.

## Hoitajan profiili

Tätä tuotetta saa käyttää vain henkilökunta, jolla on terveydenhuollon koulutus ja/tai kokemusta hoitamansa henkilön vaatteiden vaihdosta.

## Käyttäjän profiili

Tuotetta voivat käyttää niin aikuiset, lapset, nuoret kuin vanhatkin, joiden paino ei ylitä **200 kg:n enimmäiskuormaa**.

## Käyttöympäristö

Vaatteiden vaihtovaunu on tarkoitettu käytettäväksi huoneenlämmössä julkisissa pukeutumistiloissa, kouluissa, yksityiskodeissa, päivä-/asuin- ja muissa hoitotiloissa sekä sairaaloissa normaaleissa työolosuhteissa. Vaatteiden vaihtovaunua voidaan käyttää kuivissa tiloissa, ei suihkupöytänä suihkuissa. Jos suhteellinen kosteus on yli 70 %, yksikön odotettu käyttöikä lyhenee merkittävästi. Vaatteiden vaihtovaunua ei saa altistaa klooria sisältäville höyryille.



## HUOMAUTUS

Tuotteen pinta voi kuumentua tai kylmetä, jos se altistuu ulkoisille lämmön- tai kylmänlähteille, kuten auringonvalolle tai pakkaselle.

## HUOMAA

Tuotteeseen liittyvistä vakavista vaaratilanteista on ilmoitettava valmistajalle ja terveysviranomaisille.

Vakavalla vaaratilanteella tarkoitetaan vaaratilannetta, joka johtaa potilaan, käyttäjän tai muun henkilön kuolemaan tai tilapäiseen tai pysyvään terveydentilan heikkenemiseen. Kaikista vaaratilanteista, jotka ovat johtaneet tai voivat johtaa vakavaan vaaratilanteeseen, on tehtävä ilmoitus.

## **Käytön vasta-aiheet**

Raskaana olevien naisten kylvettämistä suihku- ja vaatteiden vaihtovaunussa ei suositella.

Potilaita, joilla on infuusio- tai insuliinipumppu, tulehduksellisia ihosairauksia tai kuumetta, ei suositella kylvettämään suihku- ja vaatteiden vaihtovaunussa.

Potilaita, joilla on sydämen vajaatoiminta, sydän- ja verisuonisairaus, kallo-aivovamma, avohaavoja, syöttö- tai tyhjennysletku (esim. katetri, dreenniletku) voidaan kylvettää suihku- ja vaatteiden vaihtovaunussa vasta, kun on neuvoteltu hoitavan lääkärin kanssa.

Älä käytä, jos potilaan paino ylittää 200 kg.

## **Biosopeutuvuus**

Materiaalit, jotka joutuvat kosketuksiin potilaan tai käyttäjän ihon kanssa vaihtotoimenpiteen aikana, on testattu niiden haitallisten aineiden pitoisuuksien osalta ISO 10993 -standardin mukaisesti, joten niiden katsotaan soveltuvan tähän tarkoitukseen.

## **Syttyvyys**

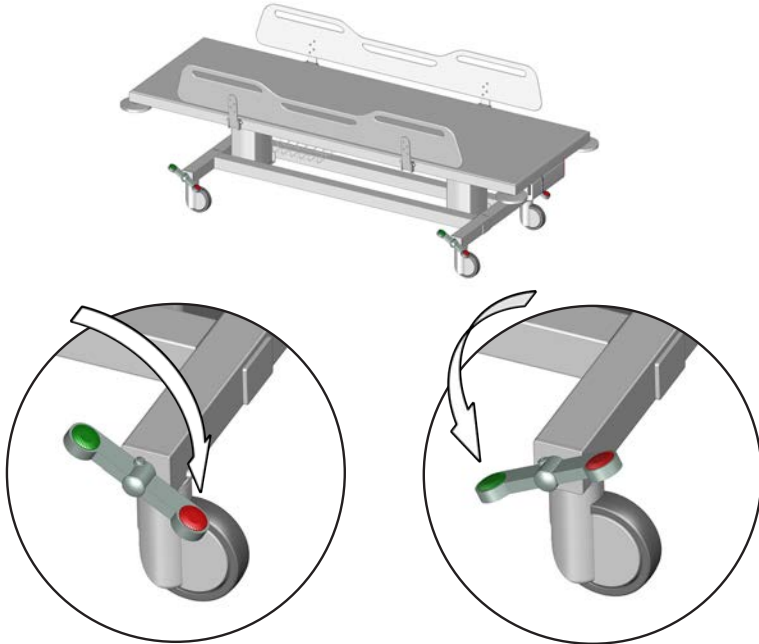
Tuotemateriaaleille on tehty syttyvyystestit standardien ISO 8191-1:1987 ja ISO 8191-2:1988 mukaisesti.



# Käyttöohjeet

## Turvajarrut

Vaatteiden vaihtovaunun kaikissa neljässä pyörässä on turvajarrut, jotta se ei liiku tahattomasti.



**Jarrujen lukitseminen:** Lukitse kaikkien neljän pyörän jarrut painamalla punaista painiketta yhdessä neljästä keinupolkimesta.

**Jarrujen lukituksen vapauttaminen:** Vapauta kaikkien neljän pyörän jarrut painamalla vihreää painiketta yhdessä neljästä keinupolkimesta.

 **VAROITUS**

Varmista aina, että jarrut ovat lukittuina, kun siirrät potilaan vaatteiden vaihtovaunuun tai siitä pois.

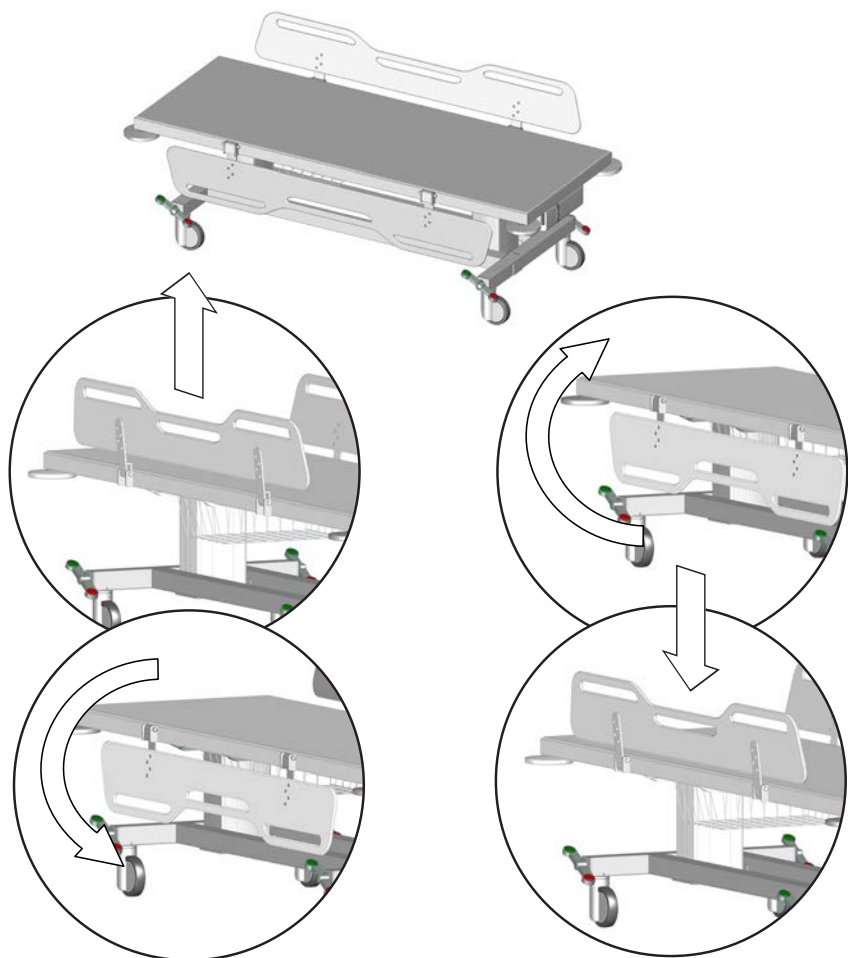
fi



**Älä jätä potilasta ilman valvontaa.**

## Sivutuet

Sivutuet voidaan taittaa ylös ja alas yksitellen potilaan siirtämisen helpottamiseksi.



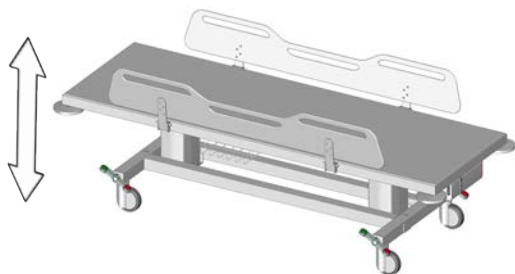
**Alas taittaminen:** Avaa sivutuen lukitus nostamalla sitä ylöspäin ja käännä se alas.

**Ylös taittaminen:** Käännä sivutukea ylöspäin ja lukitse se paikalleen painamalla sitä alaspäin.



Kun vaunu on käytössä, varmista, että kaikki sivutuet ovat pystyssä ja lukittuna, jotta potilas ei putoa.

## Korkeuden säätö



Vaatteiden vaihtovaunua voidaan säätää 400 mm ylös- ja alaspäin.

**Käyttäjän enimmäispaino:**



**200 kg**

**Enimmäiskuormitus:**

**250 kg**

Korkeudensäätöä ohjataan langallisella kaukosäätimellä.



	Nosta yksikköä pitämällä ylös-painiketta painettuna. Kun painike vapautetaan, liike pysähtyy.
	Laske yksikköä pitämällä alas-painiketta painettuna. Kun painike vapautetaan, liike pysähtyy.



**Kuristumisvaaran välttämiseksi varmista, että langallinen kaukosäädin asetetaan pidikkeeseensä, kun sitä ei käytetä.**



**Varo, etteivät kätesi, jalkasi ja pääsi loukkaannu, kun olet liikkuvien mekaanisten osien läheisyydessä.**

## Nollaus

Jos nostotoiminto ei toimi oikein tai kaksi nostopalkkia eivät ole synkronoituja, yritä nollata nostojärjestelmä.



Pidä ylös- ja alas-painikkeita painettuna samanaikaisesti.

Palkit siirtyvät alas muutaman sekunnin kuluttua, kun piippausääni kuuluu.



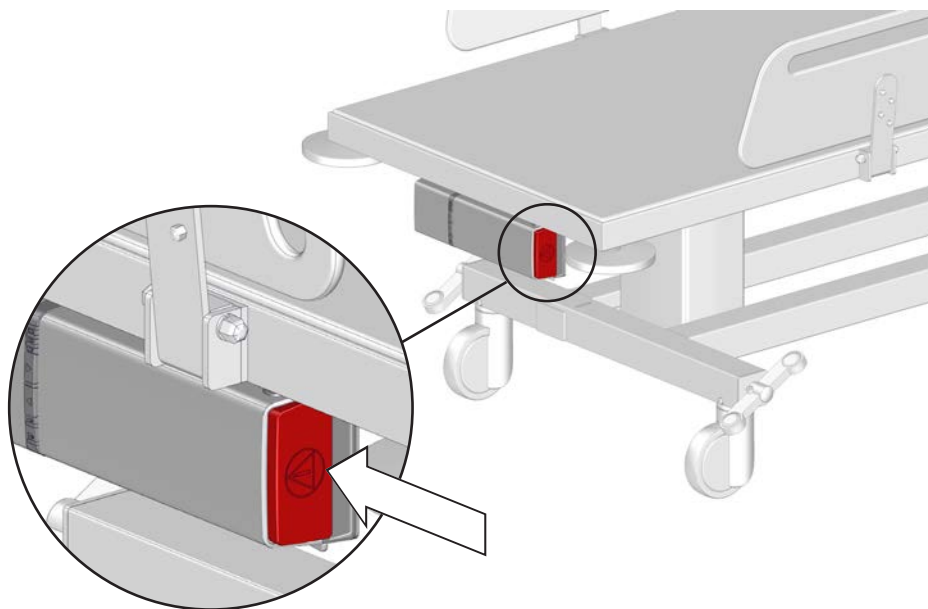
Pidä molempia painikkeita painettuna, kunnes äänimerkki lakkaa.

Nostopalkit on nyt nollattu.

fi

## Hätäpysäytys

Jos kyseessä on hätätilanne, paina akun hätäpysäytyspainiketta. Ylös- tai alaspäin suuntautuva liike pysähtyy välittömästi.

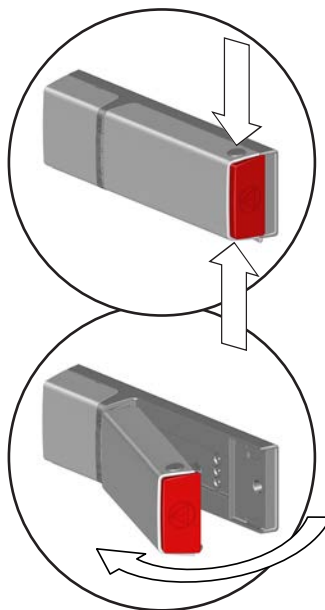


### Hätäpysäyttimen vapauttaminen

Irrota akku painamalla kahta vapautuspainiketta.

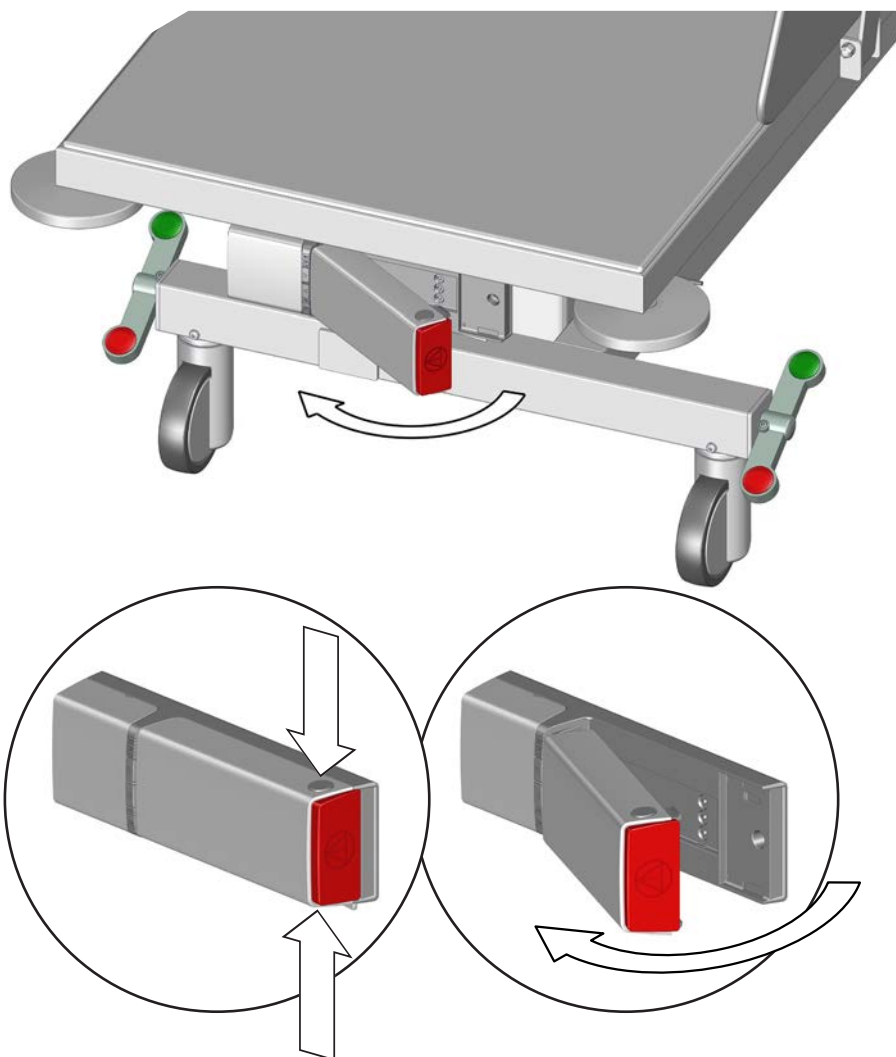
Kiinnitä akku uudelleen. Varmista, että akun lukko napsahtaa paikalleen.

Hätäpysäytys on nyt vapautettu.

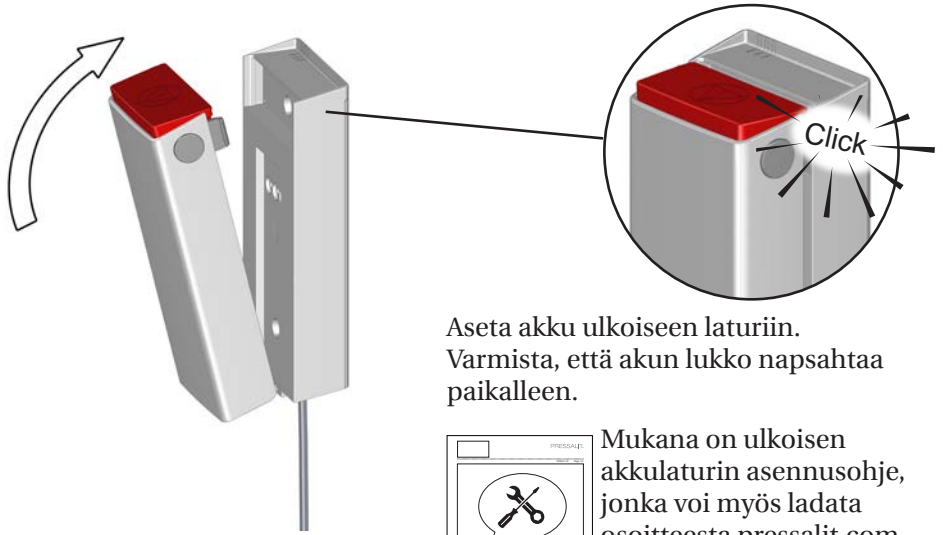


## Akun lataaminen

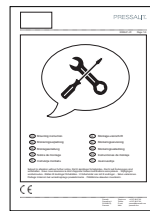
Suihku- ja vaatteiden vaihtovaunun korkeutta voi säätää täyteenladatun akun avulla enintään 30 kertaa.



Irrota akku ulkoisessa laturissa latausta varten painamalla kahta vapautuspainiketta.



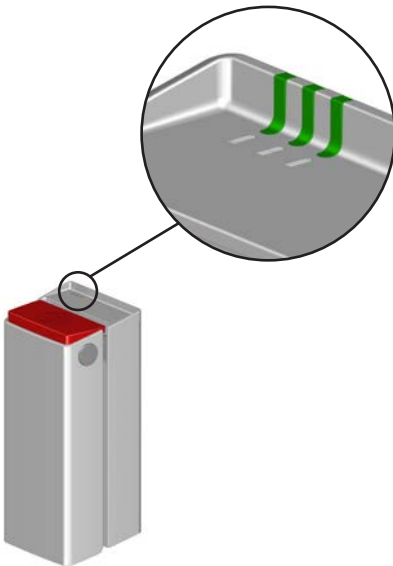
Aseta akku ulkoiseen laturiin.  
Varmista, että akun lukko napsahtaa paikalleen.



Mukana on ulkoisen akkulaturin asennusohje, jonka voi myös ladata osoitteesta [pressalit.com](http://pressalit.com).

## Latauksen LED-merkkivalot

Ulkoisen laturin kolme LED-merkkivaloa näyttävät akun lataustilan.

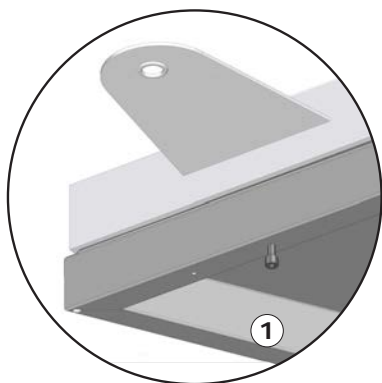
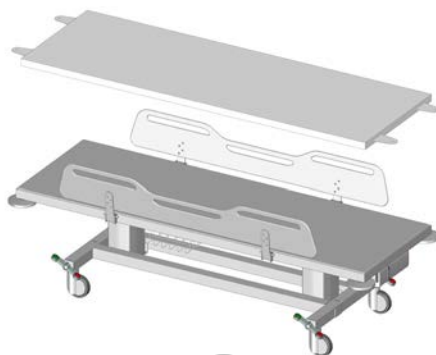


	<b>Latauksen tila</b>
	90–100 %
	65–90 %
	40–65 %
	0–40 %
	Lataus keskeytynyt akun alhaisen lämpötilan, korkean lämpötilan tai muiden virhetilojen vuoksi
	Lataus keskeytynyt, koska yhteys akkuun katkesi

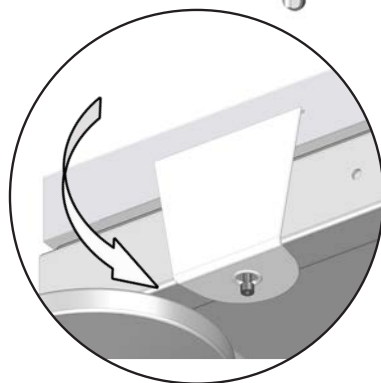
# Lisävarusteet

## Patja

Vaatteiden vaihtovainuun voi asettaa valinnaisen patjan parhaan mahdollisen mukavuuden takaamiseksi. Patjan kumpaakin puolta voi käyttää, koska patjan voi kääntää.



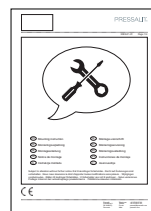
Avaa patjan lukitusruuvia ① noin senttimetrin verran.



Vedä patjan läppä alas ruuvin päälle. Tee samoin kaikilla neljällä läpällä.

Tuote on puhdistettava kuumalla vedellä tai miedolla saippuapitoisella puhdistusaineella. Luettelo sopivista Pressalitin testaamista puhdistus- / desinfiointiaineista löytyy osoitteesta [pressalit.com](http://pressalit.com).

Patjan mukana tulee asennusohje, jonka voi myös ladata osoitteesta [pressalit.com](http://pressalit.com).

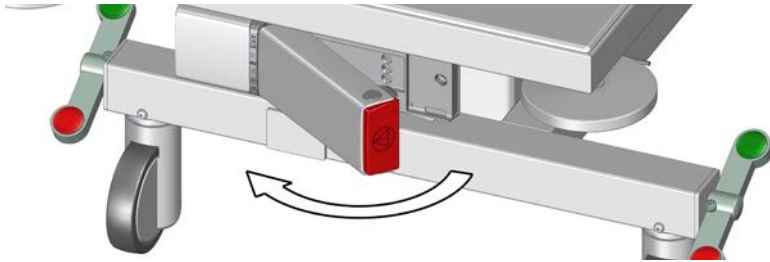


## TÄRKEÄÄ

Hygieniasyistä on suositeltavaa tarkistaa patjan mahdolliset näkyvät vauriot tai kulumisen merkit säännöllisesti. Jos vaurioita havaitaan, se on vaihdettava välittömästi kontaminaatio- tai infektiovaaran välttämiseksi.

# Puhdistus

Irrota akku ennen suihku- ja vaatteiden vaihtovaunun puhdistamista.



Tuote on puhdistettava kuumalla vedellä tai miedolla saippuapitoisella puhdistusaineella.

Tarkista, mitkä puhdistustuotteet Pressalit on testannut ja hyväksynyt kyseiselle tuotteelle, käymällä osoitteessa [Pressalit.com](http://Pressalit.com) ja käyttämällä apuna tuotteen tuotenumeroa. Pressalit suosittelee tuotteen puhdistamista asennuksen jälkeen.



## HUOMAUTUS

Lue aina mukana toimitetut käyttöturvallisuustiedotteet (MSDS) ja ohjeet puhdistus-, desinfiointi- ja kalkinpoistoaineen käyttöön ja noudata näitä ohjeita aineen turvallisen käytön, laimentamisen, huuhtelun, kuivauksen, käsittelyn ja varastoinnin osalta.

## TÄRKEÄÄ

- Älä käytä autoklaavia tai muuta höyrypuhdistinta.
- Vältä happoa sisältäviä voimakkaita puhdistusaineita.
- Älä koskaan suihkuta tuotetta suoraan painepesurilla.
- Pinnan desinfiointiin voi käyttää klooripohjaisia desinfiointiaineita näiden tuotteiden tuotetietojen ja turvallisuusohjeiden mukaisesti.



## HUOMAUTUS

Älä puhdista tai desinfioi suihku- ja vaatteiden vaihtovaunua, kun siinä on potilas.



# Sähkömagneettinen yhteensopivuus



- Muiden kuin valmistajan määrittämien tai toimittamien lisävarusteiden, antureiden ja kaapeleiden käyttö voi lisätä tämän laitteen häiriönpäästöä tai heikentää sähkömagneettista häiriönsietoa ja johtaa virheelliseen toimintaan.
- Kannettavia radiotaajuusviestintälaitteita (mukaan lukien oheislaitteet, kuten antennikaapelit ja ulkoiset antennit) tulee käyttää vähintään 30 cm:n etäisyydellä kaikista yksikön osista, myös sen johdoista, jotta laitteen suorituskyky ei heikkene.
- Tämän laitteen käyttö muiden laitteiden vieressä tai päällä on kiellettyä, koska se voi johtaa virheelliseen toimintaan. Jos tällainen käyttö on tarpeen, tätä laitetta ja muita laitteita on tarkkailtava normaalin toiminnan varmistamiseksi.

## Sähkömagneettiset päästöt

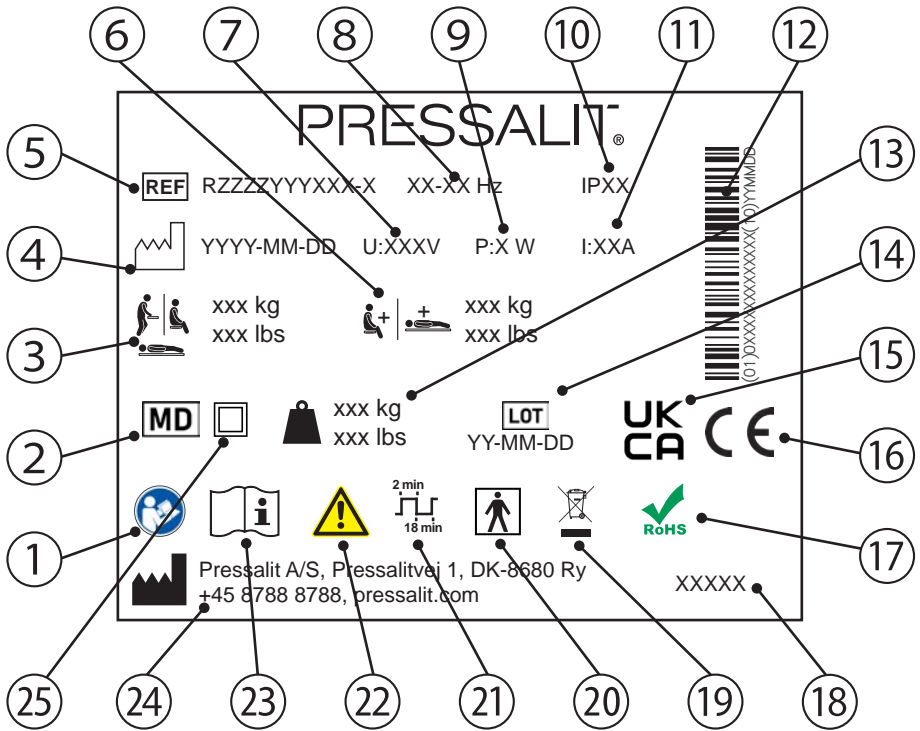
Testistandardi	Testitaso / tiedot	Testitulokset
60601-1-2 luku 7.1.7 – CISPR 14	30 MHz – 1 GHz	Hyväksytty

## Sähkömagneettinen häiriönsieto

Testistandardi	Vaatimusten- mukaisuustaso	Testitaso / tiedot	Testitulokset
EN 60601-1-2 ja EN 17966 (Kotiterveyden- huoltoympäristö)	=> 10 V/m 2,7 GHz	15 V/m Taajuusalue: 80 MHz – 6 GHz 1 %:n askelkoko	Hyväksytty
EN60601-1-2 (Langattomien radiotaajuisten viestintälaitteiden läheisyyskentät)	=> 10 V/m 2,7 GHz	15 V/m Taajuusalue: 385–5785 MHz	Hyväksytty
IEC 61000-4-4 (EFT-transientit/- purkaukset)		Nopea pulssisimulaatio	Hyväksytty
Radio- taajuusvälitteiset häiriöt	Pulssialtistus, 6 V	Pulssialtistus, 10 V	Hyväksytty
Sähköstaattinen purkaus		Staattisella varauksella latautuneen henkilön purkautuminen yksikön päällä, 8 kV ja 15 kV	Hyväksytty (*)

\* Jos staattisella varauksella latautunut henkilö purkautuu suihkuvaunun ohjausrasian päällä tai sen läheisyydessä, nostopalkeissa voi ilmetä vika, joka on nollattava. Katso "**Nollaus**".

# Tuotetarra



- ① Katso käyttöohje
- ② Lääkinnällinen laite
- ③ Käyttäjän enimmäispaino
- ④ Tuotantopäivä
- ⑤ Tuotenumero
- ⑥ Enimmäiskuormitus
- ⑦ Verkojännite
- ⑧ Taajuus
- ⑨ Enimmäisvirrankulutus

⑩ IP-luokka

---

⑪ Sähkövirta

---

⑫ GS1-128-viivakoodi

---

⑬ Tuotteen paino

---

⑭ Eräkoodi

---

⑮ Vaatimustenmukaisuus arvioitu Yhdistyneessä kuningaskunnassa.

---

Nämä tuotteet on CE-merkitty seuraavien asiaa koskevien asetusten ja direktiivien vaatimusten mukaisesti:

- ⑯ Asetus (EU) 2017/745 lääkinnällisistä laitteista, annettu 5.4.2017.
- Neuvoston direktiivi 2006/42/EY, annettu 17.5.2006.
- Neuvoston direktiivi 2011/65/EY (RoHS-direktiivi), annettu 8.6.2011.

Vaatimustenmukaisuusvakuutus löytyy osoitteesta [Pressalit.com](http://Pressalit.com)

---

⑰ Tämä tuote ei sisällä mitään RoHS-direktiivissä 2011/65/EY mainittuja vaarallisia aineita.

---

⑱ Tuotteen nimi (jos sellainen on).

---

⑲ Älä hävitä jätettä lajittelemattomana yhdyskuntajätteenä. Tuote on kerättävä erikseen ja palautettava määriteltyyn kierrätyspisteeseen.

---

⑳ Tyypin BF liitososa normaalissa käytössä olevasta tuotteesta joutuu välttämättä fyysiseen kosketukseen potilaan kanssa toimiakseen oikein. Tuote on standardin IEC 60601-1 vaatimusten mukainen, jotta se suojaa sähköiskulta.

---

㉑ Käyttöjakso

---

㉒ Katso käyttöoppaasta tärkeät huomautukset, kuten varoitukset ja varotoimet.

---

㉓ Katso käyttöohje

---

㉔ Valmistajan nimi ja osoite

---

㉕ Luokan II tuote, kaksoiseristetty

## Varastointi ja kuljetus

- Yksikön kuljetus- ja varastointilämpötilan on oltava 5–40 °C.
- Yksikkö on aina kuljetettava alkuperäispakkauksessaan.
- Älä altista pakkausta iskuille.
- Älä käytä tuotetta, jos pakkaus on rikki tai vaurioitunut.

## Vianmääritys

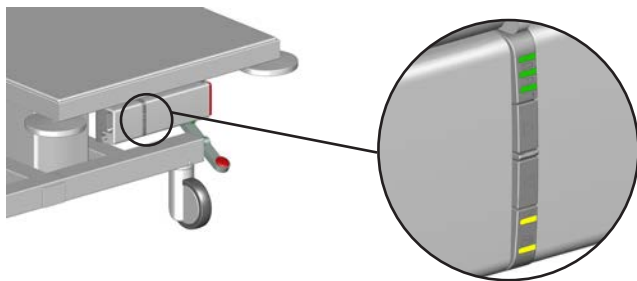
Oire	Syy	Toimenpide
Ei virtaa.	Akku on tyhjä.	Lataa akku. Katso " <b>Akun lataaminen</b> ".
Vaatteiden vaihtovaunu on vinossa.	Nostopalkit eivät ole synkronoituja.	Nollaa nostopalkit. Katso " <b>Nollaus</b> ".
Vaunua ei voi nostaa tai laskea.	Jos staattisella varauksella latautunut henkilö purkautuu vaunun ohjausrasian läheisyydessä, nostopalkeissa voi ilmetä vika.	Nollaa nostopalkit. Katso " <b>Nollaus</b> ".

Ota yhteyttä Pressalit A/S:ään tai paikalliseen jälleenmyyjään, jos ongelmaa ei voida korjata. Älä yritä korjata tuotetta itse, sillä tämä mitätöi takuun.

Vaatteiden vaihtovaunun odotettavissa oleva käyttöikä on 10 vuotta.

## Järjestelmän LED-merkkivalot

Sisäisen laturin kaksi keltaista merkkivaloa näyttävät järjestelmän tilan.



LED-merkkivalot	Syy	Tila	Toimenpide
	Hätäpysäytys aktivoitu	Laitetta ei voi nostaa tai laskea	Vapauta hätäpysäytys. Katso " <b>Hätäpysäyttimen vapauttaminen</b> "
	Järjestelmävirhe	Laitetta ei voi nostaa tai laskea	Nollaa nostopalkit. Katso " <b>Nollaus</b> "
	Laite ylikuormitettu	Laitetta ei voi nostaa tai laskea	Vähennä kuormitusta
	Käyttöjakson suojus	Laitetta ei voi nostaa tai laskea	Odota, kunnes laite on valmis
	Huoltoa tarvitaan	Laite toimii edelleen	Ota yhteyttä Pressalit A/S:ään tai paikalliseen jälleenmyyjään

# Hävittäminen ja kierrätys

Yksikkö sisältää uudelleenkäytettäviä materiaaleja. Tuotteen hävittämiseen ei liity tunnettuja vaaroja tai riskejä. Kaikki osat voidaan hävittää puhdistuksen ja desinfioinnin jälkeen.

Tuotteen hävittämisen yhteydessä suosittelemme, että se puretaan ja jaetaan eri jäteryhmiin kierrätystä tai polttamista varten.

Seuraavassa taulukossa on tietoja tuotteen kierrätyksestä ja käsittelystä.

<b>Kierrätettävät komponentit</b>	<b>Materiaali</b>
Teräs	Teräs voidaan kierrättää sulattamalla ja sisällyttämällä se vaihtoehtoisena materiaalina uuden teräksen tuotannossa.
Muovit	Käytä muovin lajittelu- ja kierrätysjärjestelmiä, jos ne ovat paikallisesti saatavilla. Muussa tapauksessa muovinpoltto tuottaa energiaa, jota voidaan käyttää esimerkiksi sähkön ja lämmön yhteistuotantoon.
Elektroniikka	Elektroniset komponentit on kerättävä erikseen ja palautettava määriteltyyn kierrätyspisteeseen.

# Spis treści

Symbole używane w niniejszej instrukcji	241
Ogólne wskazówki bezpieczeństwa	243
Bezpieczne odległości	244
Użytkowanie zgodne z przeznaczeniem	246
Profil zamierzonego operatora	246
Profil zamierzonego użytkownika	246
Środowisko użytkowania	246
Przeciwwskazania do stosowania	247
Biozgodność	247
Łatwopalność	247
Instrukcja obsługi	248
Hamulce bezpieczeństwa	248
Podpórki boczne	249
Regulacja wysokości	250
Resetowanie	250
Wyłącznik bezpieczeństwa	251
Zwalnianie wyłącznika bezpieczeństwa	251
Ładowanie akumulatora	252
Wskaźniki ładowania LED	253
Akcesoria	254
Materac	254
Czyszczenie	255
Kompatybilność elektromagnetyczna	256
Emisje elektromagnetyczne	256
Odporność elektromagnetyczna	257
Etykieta wyrobu	258
Przechowywanie i transport	260
Rozwiązywanie problemów	260
Systemowe wskaźniki LED	261
Utylizacja i recykling	262



# Symbole używane w niniejszej instrukcji

W niniejszej instrukcji oraz w dokumentacji dostarczonej z wyrobem użyto następujących symboli.



**OSTRZEŻENIE** wskazuje na sytuację potencjalnie niebezpieczną, dopuszczenie do której może skutkować śmiercią lub poważnymi obrażeniami.



**UWAGA** wskazuje na sytuację potencjalnie niebezpieczną, dopuszczenie do której może skutkować niewielkimi lub umiarkowanymi obrażeniami. Powyższe może również służyć jako ostrzeżenie przed niebezpiecznymi praktykami.



**WAŻNE** wskazuje na istotną informację dotyczącą postępowania z wyrobem lub jego użytkowania.



**INFORMACJA** dotyczy praktyk niezwiązanych z bezpieczeństwem ludzi.



Ostrzeżenie przed obrażeniami głowy



Ostrzeżenie przed obrażeniami dłoni



Ostrzeżenie przed obrażeniami  
genitaliów



Ostrzeżenie przed obrażeniami stóp



Nie wolno zostawiać pacjenta bez nadzoru.



Kompatybilne produkty



Części zamienne



Maksymalna masa użytkownika



Nr artykułu / wersja



Waga wyrobu



Parametry elektryczne

# Ogólne wskazówki bezpieczeństwa



## OSTRZEŻENIE

- Przed użyciem wyrobu przeczytaj i zapoznaj się z instrukcją. Instrukcję przechowuj w pobliżu wyrobu.
- Przestrzegaj niniejszej instrukcji, aby uniknąć wypadków prowadzących do poważnych obrażeń.
- Nigdy nie używaj wyrobu do celów lub w sposób niezgodny z niniejszą instrukcją, ponieważ zagraża to Twojemu bezpieczeństwu i grozi uszkodzeniem wyrobu.
- Upewnij się, że wszystkie osoby montujące lub używające tego wyrobu i jego systemów posiadają niezbędne informacje oraz dostęp do niniejszej instrukcji.



## UWAGA

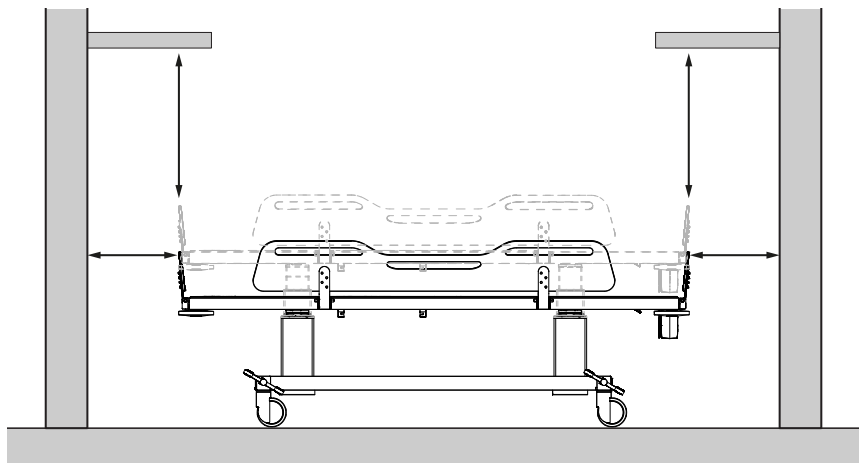
- Przestrzegaj niniejszej instrukcji, aby uniknąć uszkodzenia lub zniszczenia wyrobu.
- Nie dokonuj samodzielnych napraw, demontażu lub montażu, rozbudowy, regulacji lub modyfikacji wyrobu. Czynności takie mogą być przeprowadzane wyłącznie przez firmę Pressalit lub upoważniony przez nią personel.
- Nigdy nie pozwalaj dzieciom obsługiwać tego wyrobu bez nadzoru. Ten wyrób nie jest zabawką.
- Nigdy nie używaj wadliwego lub uszkodzonego wyrobu. Nie używaj uszkodzonego wyrobu przed jego naprawą.







## INFORMACJA

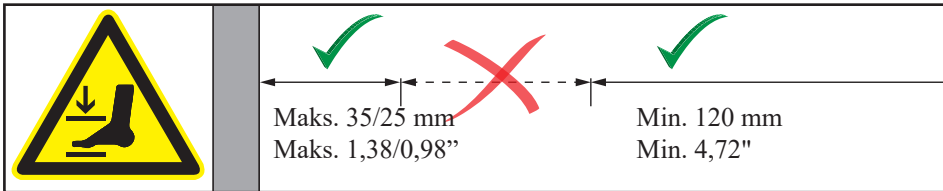
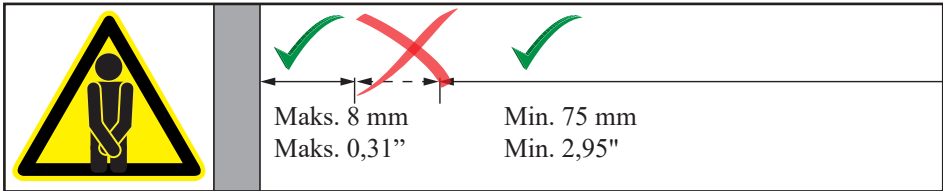
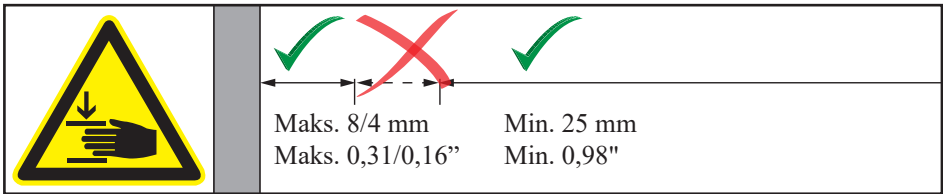
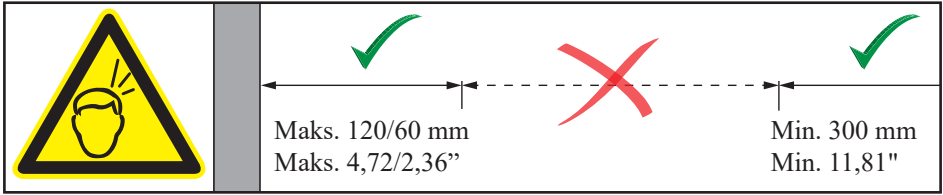
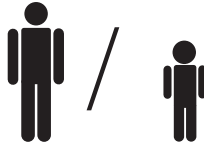
- Informacje zawarte w niniejszej instrukcji zakładają właściwe mocowanie wyrobu zgodnie z instrukcją montażu.
- Pressalit nie ponosi odpowiedzialności w sytuacji, gdy wyrób jest użytkowany w jakikolwiek sposób odbiegający od przedstawionego w niniejszej instrukcji.
- Zastrzegamy sobie prawo do zmian niniejszej instrukcji bez wcześniejszego powiadomienia.

## Bezpieczne odległości

Upewnij się, że urządzenie znajduje się w bezpiecznej odległości od otaczających je przedmiotów. Sprawdź te odległości przed każdym użyciem.



ISO 17966:2016		
	Maks. 120 mm (4,72") Min. 300 mm (11,81")	Maks. 60 mm (2,36") Min. 300 mm (11,81")
	Maks. 8 mm (0,31") Min. 25 mm (0,98")	Maks. 4 mm (0,16") Min. 25 mm (0,98")
	Maks. 8 mm (0,31") Min. 75 mm (2,95")	Maks. 8 mm (0,31") Min. 75 mm (2,95")
	Maks. 35 mm (1,38") Min. 120 mm (4,72")	Maks. 25 mm (0,98") Min. 120 mm (4,72")



**! OSTRZEŻENIE**

Podczas ruchu urządzenia w zakresie bezpiecznych odległości obserwuj uważnie osoby i przedmioty znajdujące się wokół niego, aby uniknąć ryzyka zmiżdżenia.

## Użytkowanie zgodne z przeznaczeniem

Ten wyrób jest przeznaczony do toalety osób, które nie są w stanie stać ani siedzieć. Obsługiwana osoba leży na wózku toaletowym.

### Profil zamierzonego operatora

Ten wyrób jest przeznaczony do użytku jedynie przez personel przeszkolony w zakresie opieki zdrowotnej nad pacjentami lub ich pielęgnacji.

### Profil zamierzonego użytkownika

Z wyrobu mogą korzystać wszystkie osoby — dorośli, dzieci oraz osoby młode i starsze, których waga nie przekracza **maksymalnego obciążenia 200 kg**.

### Środowisko użytkowania

Wózek toaletowy jest przeznaczony do eksploatacji w temperaturze pokojowej w przebieralniach publicznych, szkołach, gospodarstwach domowych, domach opieki dziennej / całodobowej / ośrodkach opiekuńczych i w szpitalach, w normalnych warunkach pracy.

Wózek toaletowy może być używany w suchych pomieszczeniach. Nie należy go używać jako wózka kąpielowego pod prysznicem. Jeśli wilgotność względna jest wyższa niż 70%, oczekiwany okres eksploatacji wyrobu może ulec znaczącemu skróceniu. Nie należy wystawiać wózka toaletowego na działanie oparów zawierających chlor.



Powierzchnia produktu może się nagrzewać lub schładzać w przypadku wystawienia na działanie zewnętrznych źródeł ciepła lub zimna, takich jak światło słoneczne lub mróz.

## INFORMACJA

Każde poważne zdarzenie, które nastąpiło w związku z wyrobem, należy zgłosić producentowi i organom służby zdrowia.

Poważne zdarzenie oznacza zdarzenie prowadzące do zgonu pacjenta, użytkownika lub jakiegokolwiek innej osoby, lub powodujące tymczasowe lub stałe pogorszenie się stanu zdrowia danej osoby. Należy zgłaszać każde zdarzenie, które stało się poważnym zdarzeniem lub które może stać się poważnym zdarzeniem.

## **Przeciwwskazania do stosowania**

Nie zaleca się kąpania w wózku kobiet w ciąży.

Nie zaleca się kąpania w wózku pacjentów korzystających z pompy infuzyjnej lub insulinowej, pacjentów z chorobami zapalnymi skóry ani pacjentów z podwyższoną temperaturą ciała.

Pacjenci z niewydolnością serca, chorobami układu krążenia, obrażeniami czaszkowo-mózgowymi lub otwartymi ranami, a także pacjenci żywieni przez przewód pokarmowy lub z podłączonymi drenami bądź cewnikami mogą być kąpani w wózku wyłącznie po konsultacji z ich lekarzem prowadzącym.

Nie stosować, jeżeli masa pacjenta przekracza 200 kg.

## **Biozgodność**

Materiały mające kontakt ze skórą pacjenta lub użytkownika podczas przebiegania przebadano pod kątem zawartości substancji szkodliwych zgodnie z normą ISO 10993 Biokompatybilność i na tej podstawie uznano za odpowiednie do tego celu.

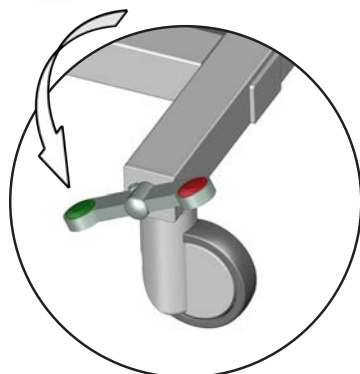
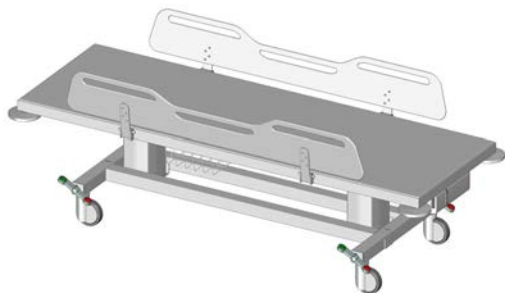
## **Łatwopalność**

Materiały zastosowane w produkcji zostały poddane badaniom zapalności zgodnie z normami ISO 8191-1:1987 oraz ISO 8191-2:1988.

# Instrukcja obsługi

## Hamulce bezpieczeństwa

Wózek toaletowy posiada hamulce bezpieczeństwa na wszystkich czterech kółkach jezdnych, co pozwala zapobiec jego niezamierzonemu przemieszczaniu się.



**Blokowanie hamulców:** Naciśnij stopą czerwony przycisk na jednym z czterech pedałów uchylnych. Zablokuje to hamulce we wszystkich czterech kółkach.

**Odblokowanie hamulców:** Naciśnij stopą zielony przycisk na jednym z czterech pedałów uchylnych. Odblokuje to hamulce we wszystkich czterech kółkach.



**OSTRZEŻENIE**

Przed przemieszczeniem pacjenta na wózek oraz z wózka upewnij się, że hamulce są zablokowane.

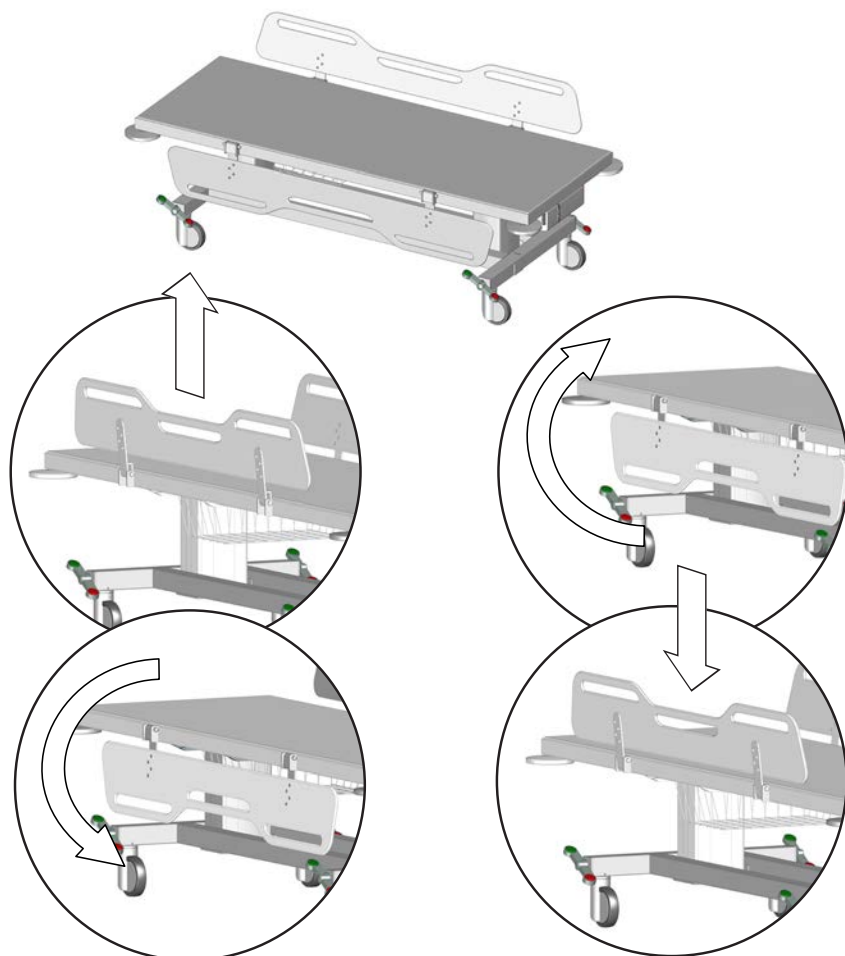


**Nie wolno zostawiać pacjenta bez nadzoru.**



## Podpórki boczne

Każdą podpórkę boczną można łatwo podnosić i opuszczać, aby ułatwić przemieszczanie pacjenta.



**Opuszczanie:** Pociągnij podpórkę boczną do góry, by zwolnić blokadę, a następnie opuść ją w dół.

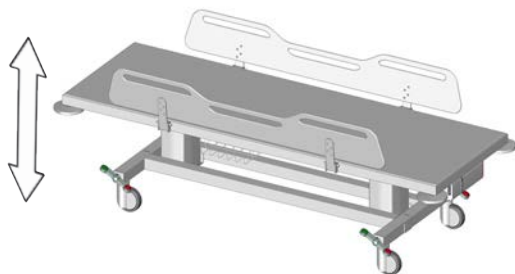
**Podnoszenie:** Podnieś podpórkę boczną do góry, a następnie wciśnij ją w dół, by zablokować jej mocowanie.



**OSTRZEŻENIE**

Przed korzystaniem z wózka upewnij się, że wszystkie podpórki boczne są podniesione i zablokowane, by zapobiec wypadnięciu pacjenta z wózka.

## Regulacja wysokości





Wysokość wózka można regulować o 400 mm w górę i w dół.

**Maksymalna masa użytkownika:**  
**200 kg**

**Maksymalne obciążenie:**  
**250 kg**

Regulacją wysokości steruje się za pomocą pilota przewodowego.



	Naciśnij i przytrzymaj przycisk ruchu w górę, by podnieść urządzenie. Po zwolnieniu przycisku ruch zostanie zatrzymany.
	Naciśnij i przytrzymaj przycisk ruchu w dół, by opuścić urządzenie. Po zwolnieniu przycisku ruch zostanie zatrzymany.



**Aby uniknąć ryzyka uduszenia, upewnij się, że nieużywany pilot przewodowy znajduje się w uchwycie.**



**Aby uniknąć obrażeń rąk, stóp i głowy, zachowaj ostrożność w pobliżu ruchomych części.**

## Resetowanie

Jeśli funkcja podnoszenia nie działa poprawnie lub dwie kolumny podnoszące nie są zsynchronizowane, spróbuj zresetować system podnoszący.



Jednocześnie naciśnij i przytrzymaj przyciski ruchu w górę i w dół.

Po kilku sekundach kolumny rozpoczną ruch w dół i nadany zostanie sygnał dźwiękowy.

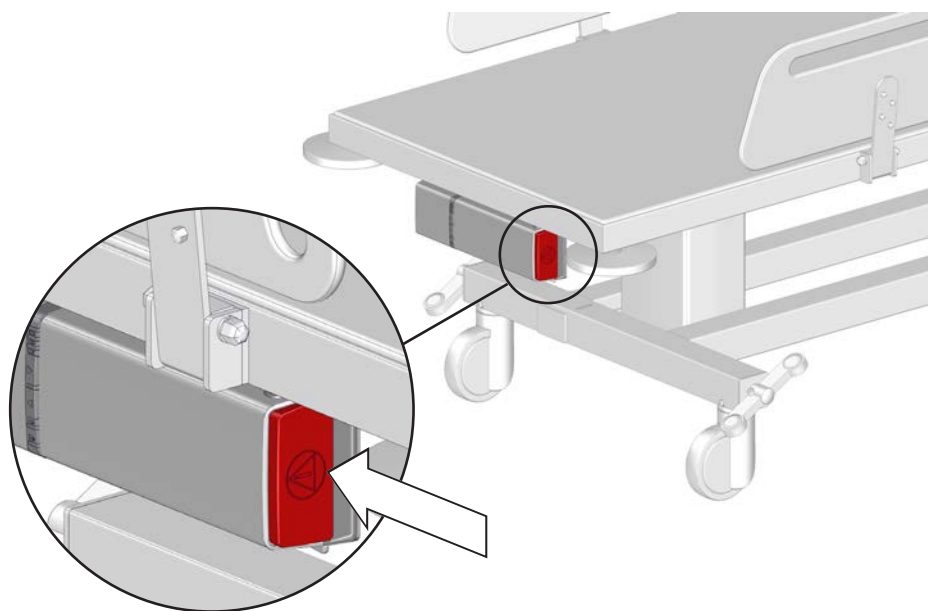


Trzymaj obydwa przyciski wciśnięte, dopóki sygnał dźwiękowy nie ucichnie.

Kolumny podnoszące są teraz zresetowane.

## Wyłącznik bezpieczeństwa

W razie nagłej sytuacji nacinij wyłącznik bezpieczeństwa na akumulatorze. Ruch w gór lub w dół zostanie natychmiast zatrzymany.

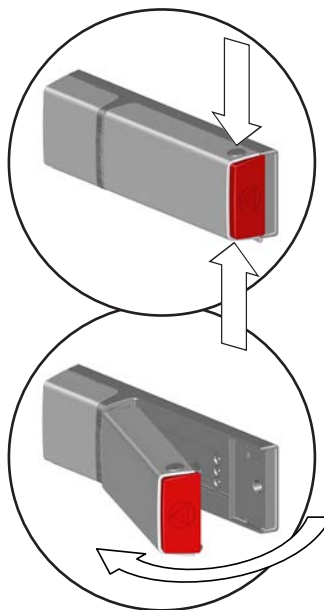


## Zwalnianie wyłącznika bezpieczeństwa

Naciśnij obydwa przyciski zwalniania, aby wyjąć akumulator.

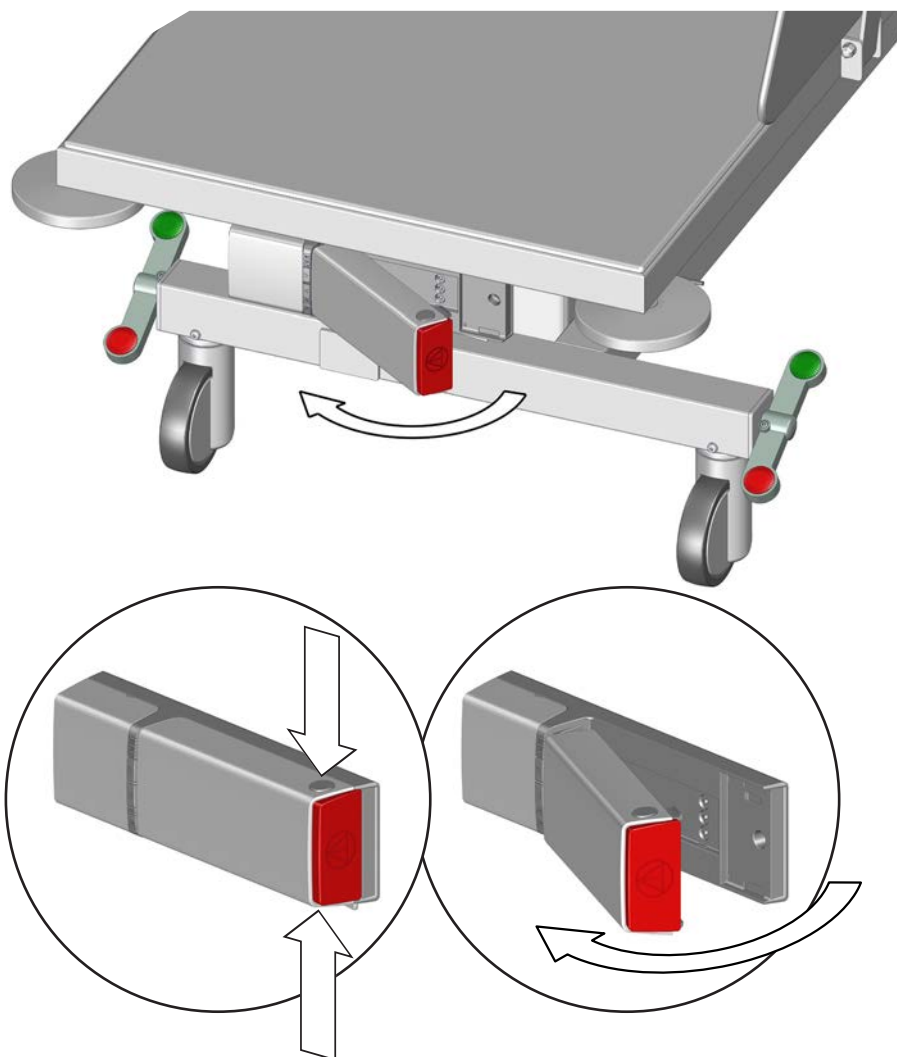
Zamocuj ponownie akumulator. Upewnij się, że akumulator został właściwie zamocowany (słychać kliknięcie).

Wyłącznik bezpieczeństwa jest już zwolniony.

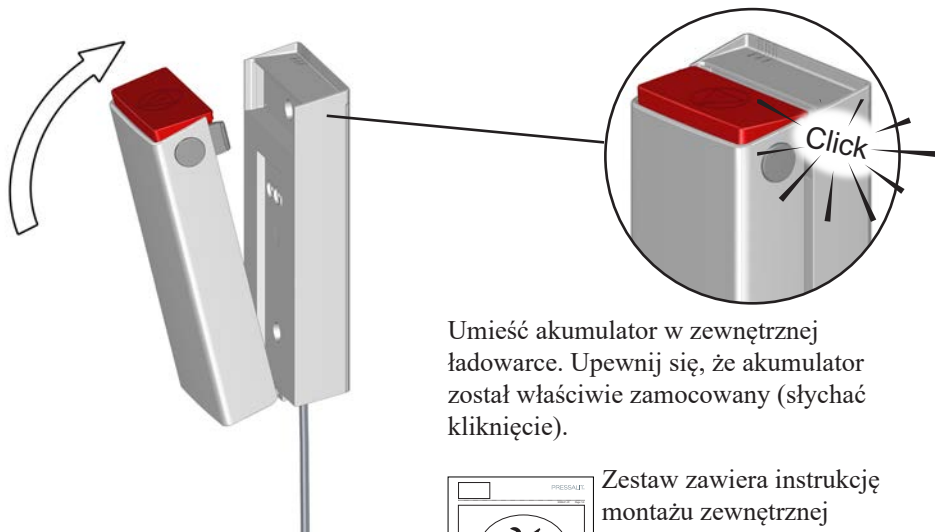


## Ładowanie akumulatora

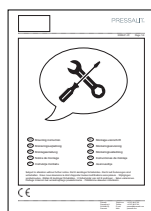
Całkowicie naładowany akumulator pozwala na maksymalnie 30 operacji regulowania wysokości wózka.



Nacinij obydwu przyciski zwalniania, aby wyjąć akumulator w celu naładowania go w zewnętrznej ładowarce.



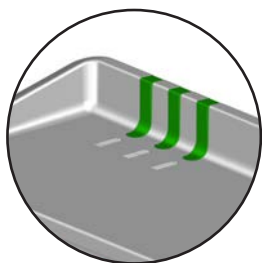
Umieść akumulator w zewnętrznej ładowarce. Upewnij się, że akumulator został właściwie zamocowany (słychać kliknięcie).



Zestaw zawiera instrukcję montażu zewnętrznej ładowarki akumulatora. Można ją także pobrać ze strony [pressalit.com](http://pressalit.com).

## Wskaźniki ładowania LED

Trzy wskaźniki LED na zewnętrznej ładowarce pokazują stan naładowania akumulatora.

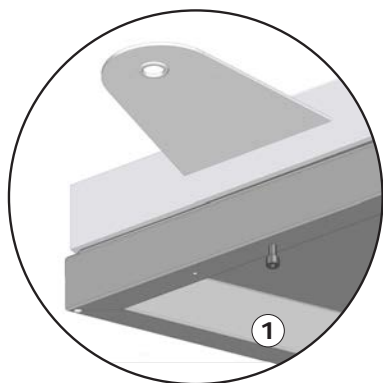
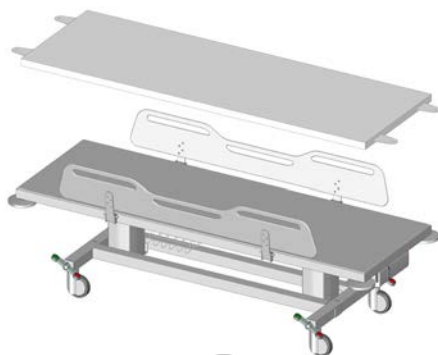


	Stan naładowania
	90–100%
	65–90%
	40–65%
	0–40%
	Ładowanie zatrzymało się z powodu niskiej temperatury akumulatora, wysokiej temperatury akumulatora lub z powodu innych warunków prowadzących do błędu
	Ładowanie zatrzymało się z powodu utraty połączenia z akumulatorem

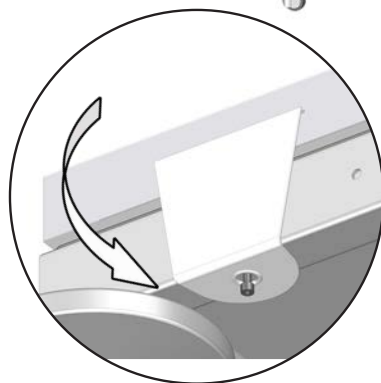
## Akcesoria

### Materac

Na wózku toaletowym można położyć opcjonalny materac, by zapewnić pacjentowi optymalny komfort. Materac jest dwustronny, więc można korzystać z obu stron.



Wykręć śrubę mocującą materaca ① na około jeden centymetr.

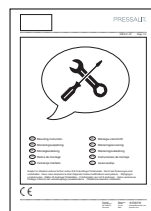


Naciągnij klapę materaca na śrubę. Zamocuj w ten sposób wszystkie cztery klapy.

Wyrób należy czyścić gorącą wodą lub łagodnym środkiem czyszczącym na bazie mydła.

Listę odpowiednich środków czyszczących/dezynfekujących przetestowanych przez firmę Pressalit można znaleźć na stronie [pressalit.com](http://pressalit.com).

Zestaw materaca zawiera instrukcję montażu. Można ją także pobrać ze strony [pressalit.com](http://pressalit.com).

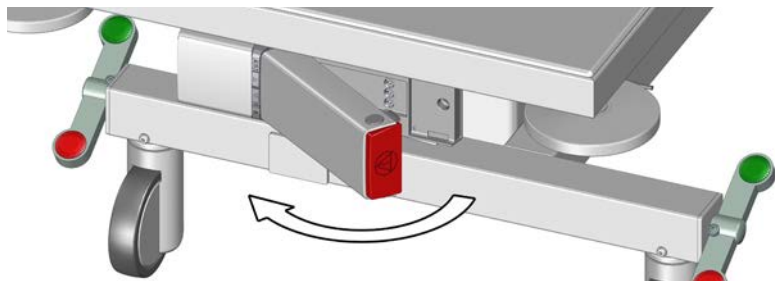


## WAŻNE

W celu zachowania higieny zaleca się regularne sprawdzanie materaca pod kątem jakichkolwiek widocznych uszkodzeń lub oznak zużycia i rozdarcia. W razie wykrycia uszkodzeń należy niezwłocznie wymienić podglówek na nowy, aby uniknąć ryzyka zanieczyszczenia lub zakażenia.

# Czyszczenie

Przed czyszczeniem wózka zdemontuj akumulator.



Wyrób należy czyścić gorącą wodą lub łagodnym środkiem czyszczącym na bazie mydła. Listę odpowiednich środków czyszczących przetestowanych przez Pressalit można znaleźć [pressalit.com](http://pressalit.com)

## UWAGA

Zawsze należy najpierw zapoznać się z kartą charakterystyki materiału oraz instrukcjami dołączonymi do środka czyszczącego, dezynfekującego lub odkamieniającego oraz postępować zgodnie z instrukcjami bezpiecznego stosowania, rozcieńczenia, spłukiwania, suszenia, obchodzenia się ze środkiem i jego przechowywania.

## WAŻNE

- Nie wolno używać autoklawów lub innych rodzajów czyszczenia parowego.
- Należy unikać stosowania zbyt silnych środków czyszczących zawierających kwasy.
- Nie wolno bezpośrednio spryskiwać wyrobu środkiem czyszczącym pod ciśnieniem.
- Do dezynfekcji powierzchni można używać środków na bazie chloru, zgodnie ze specyfikacją i zaleceniami dotyczącymi bezpieczeństwa stosowania tych środków.

## UWAGA

Nie czyść ani nie dezynfekuj wózka w żaden sposób, gdy leży na nim pacjent.

# Kompatybilność elektromagnetyczna



## OSTRZEŻENIE

- Stosowanie akcesoriów, przetworników oraz kabli innych niż określone lub dostarczone przez producenta może prowadzić do zwiększenia emisji elektromagnetycznych lub zmniejszenia odporności elektromagnetycznej sprzętu i spowodować nieprawidłowe działanie.
- Przenośny sprzęt do komunikacji radiowej (w tym urządzenia peryferyjne takie jak kable antenowe i anteny zewnętrzne) powinien być używany w odległości co najmniej 30 cm od dowolnej części urządzenia, w tym jego kabli, aby zapobiec pogorszeniu jego działania.
- Należy unikać używania tego urządzenia w pobliżu innego sprzętu bądź ustawionego na innym sprzęcie, gdyż może to spowodować nieprawidłowe działanie. Jeśli jednak konieczne jest używanie urządzenia w takiej konfiguracji, należy obserwować urządzenie i pozostały sprzęt, aby upewnić się, że działają prawidłowo.

## Emisje elektromagnetyczne

Norma testowa	Poziom / szczegóły testu	Wyniki testu
60601-1-2 rozdz. 7.1.7 - CISPR 14	30 MHz – 1 GHz	Zaliczony

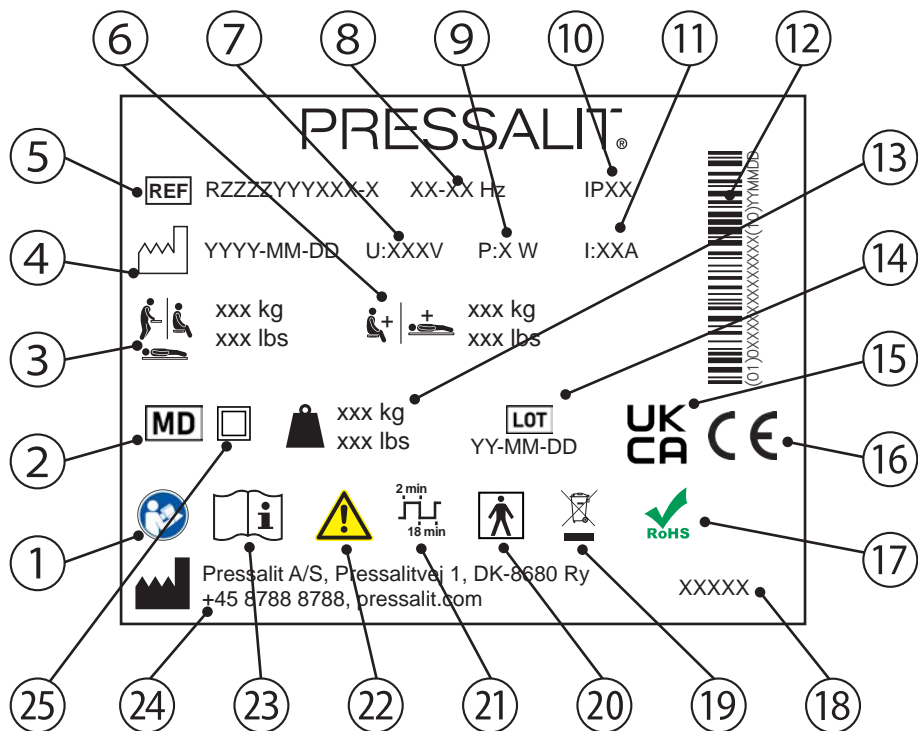


## Odporność elektromagnetyczna

Norma testowa	Poziom zgodności	Poziom / szczegóły testu	Wyniki testu
EN60601-1-2 i EN17966 (Domowa opieka nad pacjentem)	=> 10 V/m 2,7 GHz	15 V/m Zakres częstotliwości: 80 MHz – 6 GHz Co 1%	Zaliczony
EN60601-1-2 (Pola zakresu bliskiego z urządzeń radiowych do komunikacji bezprzewodowej)	=> 10 V/m 2,7 GHz	15 V/m Zakres częstotliwości: 385–5785 MHz	Zaliczony
IEC 61000-4-4 (Szybkoszienne elektryczne zakłócenia przejściowe)		Symulacja impulsów szybkich	Zaliczony
Zakłócenia przewodzone wzbudzone przez częstotliwości radiowe	Impuls testowy, 6 V	Impuls testowy, 10 V	Zaliczony
Wyładowania elektrostatyczne		Wyładowanie na urządzeniu wyzwolone przez osobę naładowaną ładunkiem statycznym, 8 kV i 15 kV	Zaliczony (*)

\* Jeśli osoba naładowana ładunkiem statycznym rozładuje się w pobliżu skrzynki sterowniczej wózka, może wystąpić błąd w działaniu kolumn podnoszących i należy je zresetować. Patrz sekcja „**Resetowanie**”.

# Etykieta wyrobu



1 Zapoznaj się z instrukcją obsługi

2 Urządzenie medyczne

3 Maksymalna masa użytkownika

4 Data produkcji

5 Numer artykułu

6 Maksymalne obciążenie

7 Napięcie sieciowe

8 Częstotliwość

9 Maksymalny pobór mocy

10 Klasa IP

---

11 Prąd elektryczny

---

12 Kod kreskowy GS1-128

---

13 Waga wyrobu

---

14 Kod partii

---

15 Zgodność z przepisami obowiązującymi w Wielkiej Brytanii

---

Te produkty są opatrzone znakiem CE zgodnie z odnośnymi wymaganiami w następujących dokumentach:

- Rozporządzenie (UE) 2017/745 (5 kwietnia 2017) o wyrobach medycznych.

16

- Dyrektywa maszynowa 2006/42/WE (17 maja 2006).

- Dyrektywa maszynowa RoHS 2011/65/WE (8 czerwca 2011).

Deklarację zgodności można znaleźć na stronie [pressalit.com](http://pressalit.com).

---

17

Ten produkt nie zawiera żadnych substancji niebezpiecznych wymienionych w dyrektywie Rady 2011/65/WE w sprawie ograniczenia stosowania niektórych niebezpiecznych substancji w sprzęcie elektrycznym i elektronicznym.

---

18

Nazwa produktu (jeśli ją posiada)

---

19

Nie wyrzucać do zmieszanych odpadów komunalnych. Produkt należy zebrać osobno i oddać do odpowiedniego punktu recyklingu.

20

Część typu BF. Podczas normalnego użytkowania część produktu musi mieć fizyczny kontakt z pacjentem, aby spełnić swoją funkcję. Produkt spełnia wymagania normy IEC 60601-1 w zakresie ochrony przed porażeniem prądem elektrycznym.

---

21

Cykl pracy

---

22

Zapoznaj się z instrukcją obsługi, aby zapamiętać ważne informacje dotyczące bezpieczeństwa i środków ostrożności.

---

23

Zapoznaj się z instrukcją obsługi

---

24

Nazwa i adres producenta

---

25

Urządzenie elektryczne z podwójną izolacją

---

## Przechowywanie i transport

- Temperatura transportu i przechowywania urządzenia musi pozostawać w zakresie od 5 do 40 st. Celsjusza.
- Urządzenie należy zawsze transportować w oryginalnym opakowaniu.
- Unikaj narażania opakowania na wstrząsy i uderzenia.
- Nie używaj wyrobu, jeżeli opakowanie jest uszkodzone.

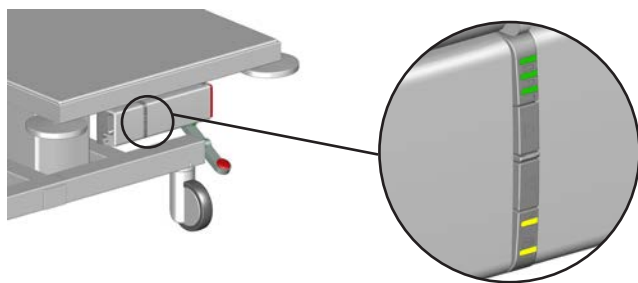
## Rozwiązywanie problemów




Objaw	Przyczyna	Działanie
Brak mocy.	Rozładowany akumulator.	Naładuj akumulator. Patrz sekcja „ <b>Ładowanie akumulatora</b> ”.
Wózek jest przechylony.	Kolumny podnoszące nie są zsynchronizowane.	Zresetuj kolumny podnoszące. Patrz sekcja „ <b>Resetowanie</b> ”.
Wózka nie można podnieść ani opuścić.	Jeśli osoba naładowana ładunkiem statycznym rozładuje się w pobliżu skrzynki sterowniczej wózka, może wystąpić błąd w działaniu kolumn podnoszących.	Zresetuj kolumny podnoszące. Patrz sekcja „ <b>Resetowanie</b> ”.

Jeśli problemu nie można rozwiązać, należy skontaktować się z firmą Pressalit A/S lub swoim lokalnym dystrybutorem. Nie próbuj naprawiać urządzenia samodzielnie, ponieważ spowoduje to unieważnienie gwarancji.

## Systemowe wskaźniki LED

Dwa żółte wskaźniki LED na ładowarce wewnętrznej pokazują stan systemu.



Wskaźniki LED	Przyczyna	Stan	Działanie
	Włączony wyłącznik bezpieczeństwa	Urządzenia nie można podnieść ani opuścić	Zwolnij wyłącznik bezpieczeństwa. Patrz sekcja „ <b>Zwalnianie wyłącznika bezpieczeństwa</b> ”
	Błąd systemu	Urządzenia nie można podnieść ani opuścić	Zresetuj kolumny podnoszące. Patrz sekcja „ <b>Resetowanie</b> ”.
	Przeciążenie urządzenia	Urządzenia nie można podnieść ani opuścić	Zmniejsz obciążenie
	Ochrona cyklu pracy	Urządzenia nie można podnieść ani opuścić	Zaczekaj, aż urządzenie będzie gotowe
	Wymagane serwisowanie	Urządzenie wciąż działa	Skontaktuj się z Pressalit A/S lub lokalnym dystrybutorem

## Utylizacja i recykling

Wyrób zawiera materiały, które można poddawać recyklingowi. Nie istnieją znane zagrożenia lub ryzyka związane z usuwaniem wyrobu. Wszystkie komponenty można utylizować po ich uprzednim wyczyszczeniu i zdezynfekowaniu.

W przypadku usuwania wyrobu zalecamy rozmontowanie go i podzielenie odpadów na grupy do recyklingu lub spalenia.

Poniższa tabela zawiera informacje dotyczące recyklingu i postępowania z wyrobem.

Komponenty, które można poddać recyklingowi	Material
Stal	Stal można poddać recyklingowi poprzez ponowne przetopienie i włączenie jej jako materiału wtórnego do produkcji nowej stali.
Tworzywa sztuczne	Należy stosować systemy sortowania i recyklingu tworzyw sztucznych tam, gdzie jest to lokalnie możliwe, w innym przypadku spalanie tworzyw sztucznych niesie dodatkową korzyść w postaci energii, którą można wykorzystać na przykład do skojarzonego wytwarzania energii elektrycznej i ciepła.
Elektronika	Części elektroniczne powinny być gromadzone oddzielnie i oddawane do wyznaczonych zakładów recyklingu.

[www.pressalit.com](http://www.pressalit.com)

- en** Visit our website to find your local dealer and get further information about Pressalit and our solutions for bathrooms and kitchens.
- 
- dk** Besøg vores hjemmeside for at finde din lokale forhandler og få yderligere oplysninger om Pressalit og vores løsninger inden for bad og køkken.
- 
- de** Besuchen Sie unsere Website, und finden Sie einen Händler in Ihrer Nähe, um mehr über Pressalit und unsere Lösungen für Badezimmer und Küchen zu erfahren.
- 
- fr** Rendez-vous sur notre site Internet pour trouver les coordonnées du revendeur le plus proche et obtenir des informations sur Pressalit et nos solutions pour la salle de bains et la cuisine.
- 
- nl** Breng een bezoek aan onze website om te zien waar u onze producten kunt kopen en voor meer informatie over Pressalit en onze oplossingen voor badkamers en keukens.
- 
- sv** Besök vår webbplats för att hitta en lokal återförsäljare och för mer information om Pressalit och våra lösningar för kök och badrum.
- 
- no** Besøk nettstedet vårt for å finne din lokale forhandler og få ytterligere informasjon om Pressalit og løsningene våre for bad og kjøkken.
- 
- es** Visite nuestro sitio Web para localizar su distribuidor local y obtener información adicional sobre Pressalit y nuestras soluciones para cuartos de baño y cocinas.
- 
- it** Visita il nostro sito web per trovare il rivenditore di zona e richiedere ulteriori informazioni su Pressalit e sulle nostre soluzioni per il bagno e la cucina.
- 
- fi** Verkkosivuiltamme löydät paikallisen jälleenmyyjäsi ja saat lisätietoja Pressalitista sekä kylpyhuone- ja keittiöratkaisuistamme.
- 
- pl** Odwiedź naszą stronę www, gdzie znajdziesz lokalnego dystrybutora oraz informacje o Pressaliti i naszych rozwiązaniach dla łazienek oraz kuchni.

