



R9612717, R9612719  
R9612721, R9632717  
R9632719, R9632721  
R9652717, R9652719  
R9652721, R9662717  
R9662719, R9662721

### MCT 3

Change trolley – Operation and maintenance manual	en
Mobilt skifteleje – Brugs- og vedligeholdelsesvejledning	dk
Mobile Ankleidliege – Gebrauchs- und Pflegeanleitung	de
Table d'habillage mobil – Manuel d'utilisation et d'entretien	fr
Mobiel aankleedtafel – Gebruiks- en onderhoudshandleiding	nl
Mobil vårdbräns – Bruks- och underhållsanvisning	sv
Mobilt stellebord – Bruks- og vedlikeholdsanvisning	no
Camilla para cambio – Instrucciones de uso y mantenimiento	es
Barella per cambio di indumenti - Manuale d'uso e manutenzione	it
Vaatteiden vaihtovaunu – käyttö- ja huolto-opas	fi
Wózek toaletowy – Instrukcja obsługi i konserwacji	pl



English	8
Dansk	28
Deutsch	48
Français	68
Nederlands	88
Svenska	108
Norsk	128
Español	148
Italiano	168
Suomi	188
Język polski	208



<b>en</b>	The warranty covers faults or defects in the material of our products within a period of 3 years from date of invoice. Products subject to minor technical modifications and design deviations E. & O.E.
<b>dk</b>	Garantien dækker i 3 år fra fakturadato for materiale- og fabrikationsfejl. Der tages forbehold for trykfejl, tekniske ændringer og modelafvigelser.
<b>de</b>	Die Garantie gilt für drei Jahre ab Rechnungsdatum für Material- und Herstellungsfehler. Druckfehler, technische Änderungen und Modellabweichungen vorbehalten.
<b>fr</b>	La garantie couvre les vices de fabrication et de matériaux pour une durée de 3 ans à partir de la date de facturation. Sous réserve de modifications techniques et d'erreurs d'impression.
<b>nl</b>	De garantie is tot 3 jaar na factuurdatum geldig voor materiaal- en fabricagefouten. Onder voorbehoud van drukfouten, technische wijzigingen en modelafwijkingen.
<b>sv</b>	Garantin gäller i 3 år från fakturadatum för material- och fabrikationsfel. Med reservation för tryckfel, tekniska ändringar och modellavvikelser.
<b>no</b>	Garantien gjelder i 3 år fra fakturadato for material- og fabriksjonsfeil. Med forbehold for trykfeil, tekniske endringer og modellforskjeller.
<b>es</b>	La garantía cubre fallos de material o fabricación durante los 3 años posteriores a partir de la fecha de factura. Mantenemos reservas en caso de problemas de presión, modificaciones técnicas y variaciones de modelo.
<b>it</b>	La garanzia copre i difetti di materiale o di fabbricazione per un periodo di 3 anni. I prodotti sono soggetti a piccole modifiche tecniche e a variazioni nel design.
<b>fi</b>	Takuu kattaa tuotteidemme materiaaliviat tai -puutteet 3 vuoden sisällä laskun päiväyksestä. Tuotteisiin voi kohdistua pieniä teknisiä muutoksia ja suunnittelupoikkeamia (vikoja ja puutteita lukuun ottamatta).
<b>pl</b>	Trzyletnia gwarancja obejmuje usterki oraz wady produkcyjne i materiałowe. Produkty mogą ulec nieznanym zmianom technicznym i projektowym. Zastrzegamy sobie prawo do błędów i pominieć.

**REF**



R9612717, R9632717, R9652717, R9662717

---



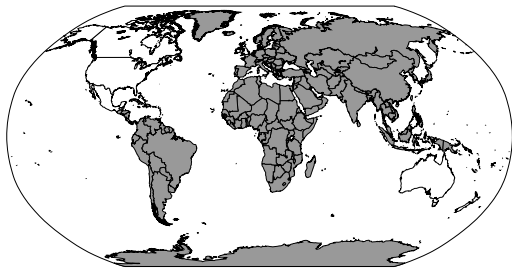
R9612719, R9632719, R9652719, R9662719

---



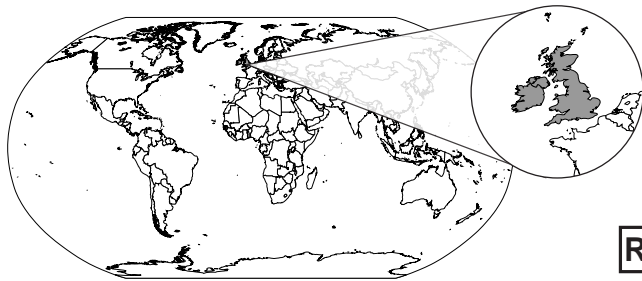
R9612721, R9632721, R9652721, R9662721

---



**REF**

R9632717  
R9632719  
R9632721



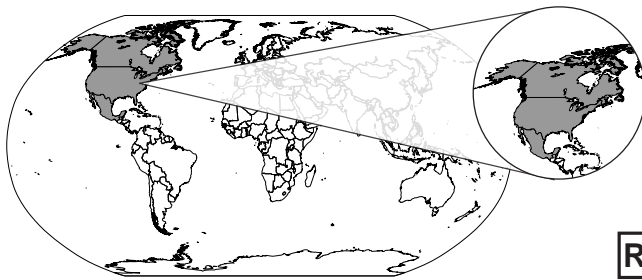
**REF**

R9652717  
R9652719  
R9652721



**REF**




R9612717  
R9612719  
R9612721



**REF**

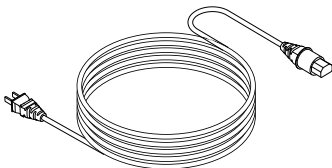
R9662717  
R9662719  
R9662721



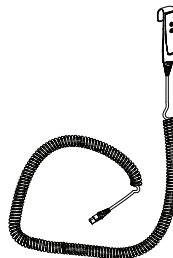
	 	 200 kg / 440 lbs
R9612717, R9632717, R9652717, R9662717	74 kg / 163 lbs	
R9612719, R9632719, R9652719, R9662719	76 kg / 167 lbs	
R9612721, R9632721, R9652721, R9662721	78 kg / 172 lbs	



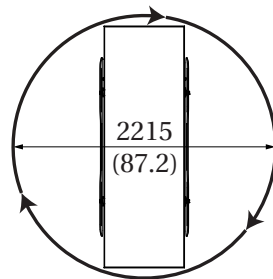
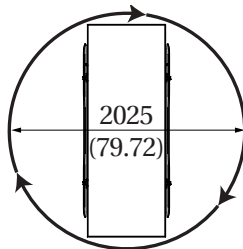
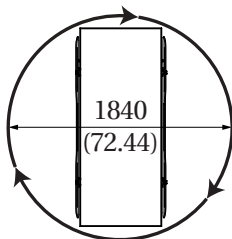
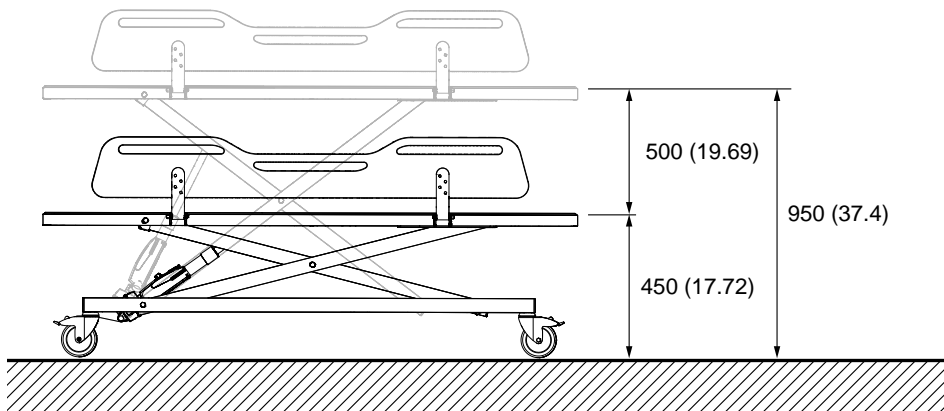
	<b>Max P</b>	<b>U</b>	<b>Max I</b>
R9632717, R9632719, R9632721 R9652717, R9652719, R9652721 R9612717, R9612719, R9612721	330W	100-240V 50/60Hz	1,5 -2,75A
R9662717, R9662719, R9662721	330W	100-120V 50/60Hz	2,75A



3,2 m / 10.5 ft



~5 m / 20 ft

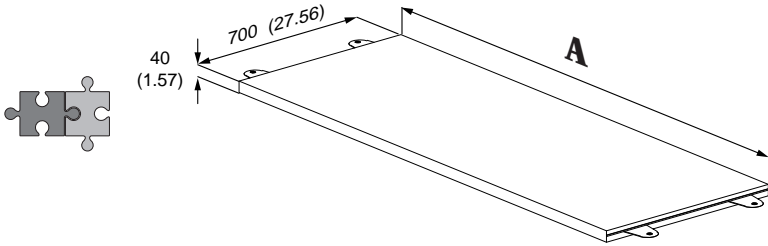
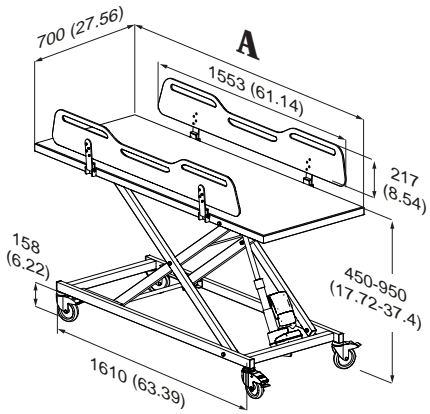




R9612717, R9632717,  
R9652717, R9662717

R9612719, R9632719,  
R9652719, R9662719

R9612721, R9632721,  
R9652721, R9662721





<b>A</b>			
	1700 (66.93)	1900 (74.8)	2100 (82.68)
	R9612717	R9612719	R9612721
	R9632717	R9632719	R9632721
	R9652717	R9652719	R9652721
	R9662717	R9662719	R9662721
	R842717	R842719	R842721

# Content

Symbols used in this manual . . . . .	9
General safety . . . . .	11
Safety distances . . . . .	12
Intended use . . . . .	13
Intended operator profile . . . . .	13
Intended user profile . . . . .	13
Operating environment . . . . .	13
Contraindications for use . . . . .	14
Biocompatibility . . . . .	14
Flammability . . . . .	14
Operating instructions . . . . .	15
Safety brakes . . . . .	15
Safety rails . . . . .	16
Height adjustment . . . . .	17
Moving . . . . .	18
Accessories . . . . .	19
Mattress . . . . .	19
Cleaning . . . . .	20
Maintenance . . . . .	21
Maintenance inspection . . . . .	21
Electromagnetic compatibility . . . . .	22
Electromagnetic immunity / emission . . . . .	22
Product label . . . . .	24
Storage and transportation . . . . .	26
Troubleshooting . . . . .	26
Resetting . . . . .	26
Disposal and recycling . . . . .	27

Original instructions



# Symbols used in this manual

The following symbols are used in this manual as well as the associated documentation supplied with the product.



**WARNING** indicates a potentially hazardous situation which, if not avoided, could result in death or serious injury.



**CAUTION** indicates a potentially hazardous situation which, if not avoided, may result in minor or moderate injury. It may also be used to alert against unsafe practices.



**IMPORTANT** indicates important information about handling and use of the product.



**NOTICE** is used to address practices not related to personal safety.



Head injury warning



Hand injury warning



Genitalia injury warning



Feet injury warning



Do not leave the user unattended.



Compatible products



Spare parts



Max. user weight



Article number/ versions



Product weight



Electrical data

en

# General safety

## **WARNING**

- Read and understand the manual completely before use. Keep the manual close to the unit.
- Comply with this manual to avoid accidents involving serious personal injury.
- Never use or handle this product in other ways than specified in this manual, as this can put your safety at risk and cause damage to the product.
- Make sure that everyone who is to install or use the product and its systems has the necessary information and access to this manual.

## **CAUTION**

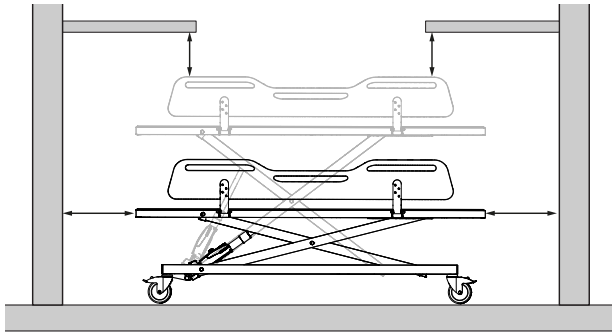
- Please comply with these instructions to avoid the product becoming damaged or destroyed.
- Do not perform repairs, disassembly, or assembly operations, extensions, re-adjustments or modifications to this product. These must be carried out by Pressalit or by persons authorized by Pressalit only.
- Never allow children to operate this product unless under supervision. The product is not intended for play.
- Never use the product if it is defective or damaged. Do not use a defective product before it has been repaired.










## **NOTICE**

- The information in this manual is based on correct fitting of the product in accordance with our mounting instruction.
- Pressalit cannot be held liable if the product is used in any way which differs from that described in the guide.
- We reserve the right to amend this manual without prior notice.

# Safety distances

Make sure that the unit is at safe distance from surrounding objects. Check the distances before any use.



ISO 17966:2016			
		<p>Max 120/60 mm Max 4.72/2.36"</p>	<p>Min 300 mm Min 11.81"</p>
		<p>Max 8/4 mm Max 0.31/0.16"</p>	<p>Min 25 mm Min 0.98"</p>
		<p>Max 8 mm Max 0.31"</p>	<p>Min 75 mm Min 2.95"</p>
		<p>Max 35/25 mm Max 1.38/0.98"</p>	<p>Min 120 mm Min 4.72"</p>

## **WARNING**

If the unit moves within the safety distances, you must keep a close eye on especially surrounding people and objects to avoid crushing hazards.

## Intended use

This product is intended for changing a person who is unable to stand or sit. The person is lying horizontally on the change trolley.

## Intended operator profile

Only personnel who are trained in healthcare and/or in changing someone under their care should use this product.

## Intended user profile

The product can be used by all – adults, children, young, old, whose weight does not exceed the **maximum load of 200 kg / 440 lbs.**

## Operating environment

The change trolley is intended to be used at room temperature in public changing places, schools, private homes, day/residential/nursing facilities and hospitals under normal working conditions.

The change trolley may be used in dry rooms and not as a shower table in showers. If the relative humidity is above 70%, the expected life of the unit will be significantly reduced. The change trolley must not be exposed to chlorine-containing fumes.



The product surface may become hot or cold if exposed to external sources of heat or cold, such as sunlight or frost.

## NOTICE

Any serious incident that has occurred in relation to the product should be reported to the manufacturer and the health authorities.

A serious incident is defined as an incident that leads to the death of a patient, user, or any other person, or causes a temporary or permanent deterioration in the person's health. Any incident that has resulted in or has the potential to result in a serious incident must be reported.

## **Contraindications for use**

If the product is being used for users with damaged skin, wounds, or other similar conditions, it is recommended to use a towel as a barrier to prevent open wounds from coming into direct contact with the substrate.

## **Biocompatibility**

The biocompatibility of the materials that come in contact with the user's skin during the intended use has been evaluated according to the procedures outlined in DS/EN ISO 10993-1:2020, which involves assessing the materials for harmful substances. Based on this evaluation, the materials are considered suitable for their intended use.

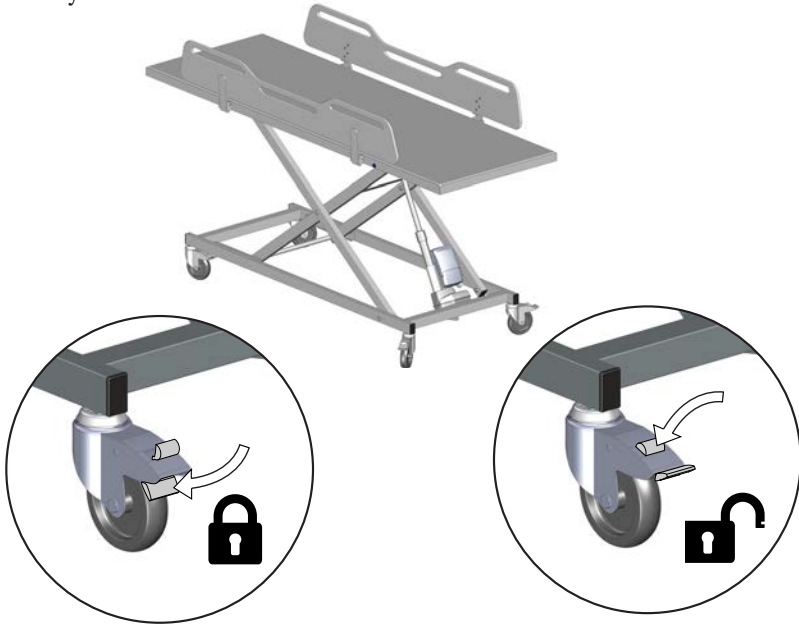
## **Flammability**

The product materials have undergone flammability testing in accordance with ISO 8191-1:1987 and ISO 8191-2:1988.

# Operating instructions

## Safety brakes

The change trolley has brakes on all four wheels to prevent it from moving accidentally.



**To lock the brakes:** Step on the lock pedal on all four wheels to engage the brakes.

**To unlock the brakes:** Step on the release button on all four wheels to release the brakes.



**Always use your foot to lock or unlock the wheels. Wear closed-toe shoes and never use your hand to lock or unlock the wheels.**

**! WARNING**

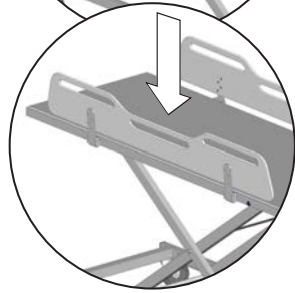
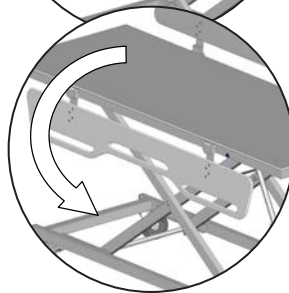
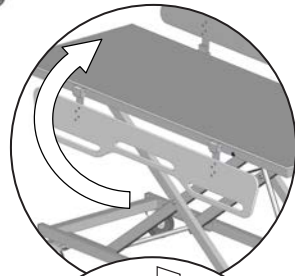
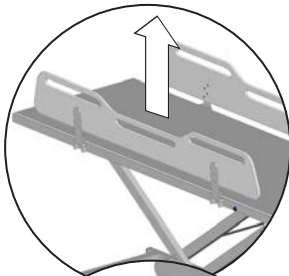
Always ensure that the locks on all four wheels are securely locked before transferring a user to or from the trolley.



**Do not leave the user unattended.**

## Safety rails

The safety rails can be folded up and down individually for easy transfer of the user.



**To fold down:** Lift the safety rail upwards to unlock it, and swing it down.

**To fold up:** Swing the safety rail up and push it down to lock it in place.



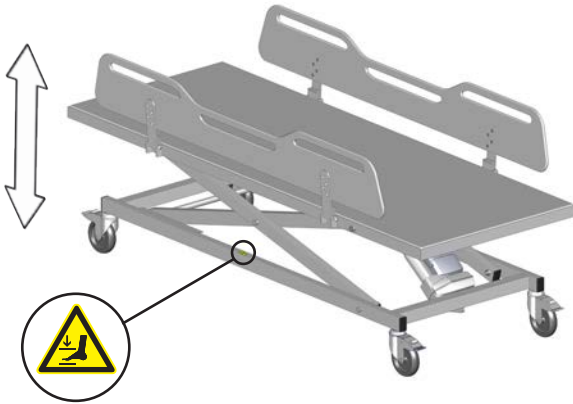
**When locking the safety rails , be careful not to pinch the user's hand or genitals.**



Always keep all safety rails upright and locked in place when using the trolley to prevent the user from falling out.



## Height adjustment



200 kg / 440 lbs

The change trolley can be adjusted 500 mm / 19.69" up and down. The maximum height is 950 mm / 37.4". The height adjustment is controlled by the wired remote control unit.



	<p>Press and hold the up button to raise the unit. When the button is released, the motion stops.</p>
	<p>Press and hold the down button to lower the unit. When the button is released, the motion stops.</p>

en

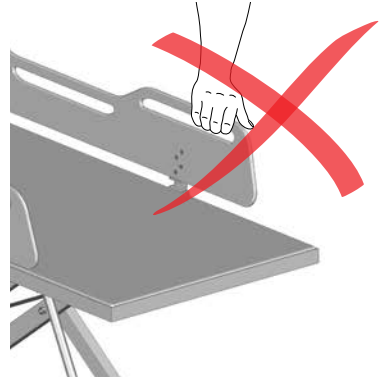
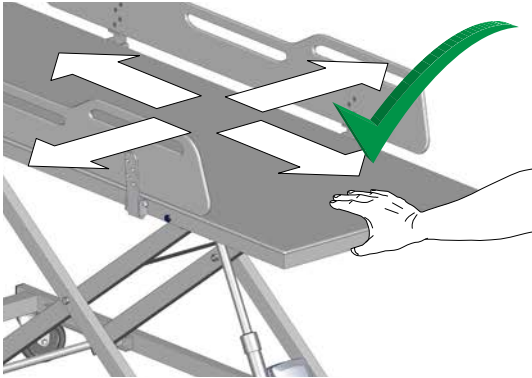
	<p><b>Do not put your foot on the bearing frame and be especially cautious of the risk for pinching of feet, hands, children, or objects when adjusting the height of the unit.</b></p>
	<p><b>Be aware that the cord of the hand control does not wrap around the user's neck and pose a suffocation risk. The corded hand control must be placed on the safety rail when it is not in use.</b></p>

**WARNING**

Never let children be close to the unit when it is height adjusted.

## Moving

To move the trolley, unlock all four wheels as described. Grab hold onto the lying surface itself, not the safety rails when moving the unit. Be careful when you move the unit.



### **WARNING**

Make sure that the power cord is not wrapped around the user's feet or positioned in a way that could lead to suffocation. When the unit is in use, the power cord should be placed on the floor, and when it is not in use, it should be placed at the side of the unit.

### **CAUTION**

Be aware of the power cord and make sure not to trip over it while it is on the floor.

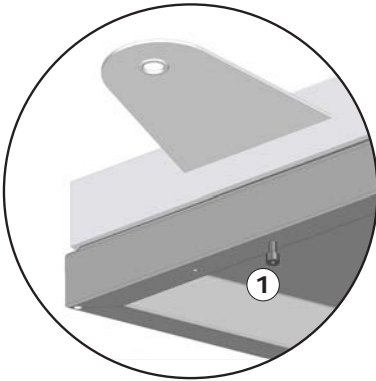
Please note that although the product can be moved, it is connected to an outlet with a power cord. So be cautious when moving the product so as not to damage the electrical installation or the product.

Before plugging it in, always inspect both the cord and the plug for any signs of damage. If any damage is detected, replace the cord to avoid the risk of electrical shock.

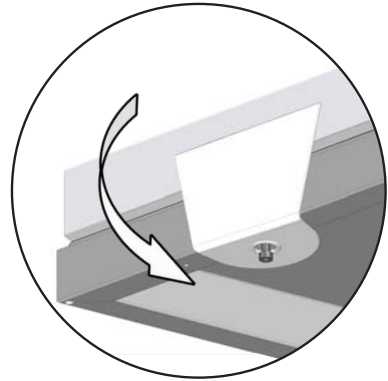
# Accessories

## Mattress

You can add a mattress to the change trolley for increased comfort. The mattress is reversible and can be used on both sides.



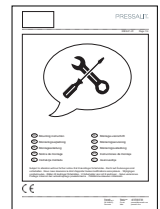
To mount the mattress, unscrew the locking screw ① by about 1 cm (0.5").



Pull the mattress flap down over the screw. Do the same with all four flaps.

The product is to be cleaned with hot water or a mild soapy cleaning agent. A list of suitable cleaning agents/ disinfectants tested by Pressalit can be found on [pressalit.com](http://pressalit.com).

A mounting instruction is included with the mattress, and can also be downloaded from [pressalit.com](http://pressalit.com).



en

## IMPORTANT

To maintain hygiene, it is recommended to check for any visible damages or signs of wear and tear on the mattress regularly. If any damages are found, the mattress should be replaced immediately to prevent any risk of contamination or infection.

## Cleaning

To clean the product, use a damp cloth that has been wrung out in a mild soap mixture, such as universal cleaning solution.

After cleaning, it is essential to wipe the product with a dry, soft cloth. This step is crucial to prevent the materials from discoloration. Additionally, it helps prevent any potential degradation of the surface paint.

A list of suitable cleaning agents/disinfectants tested by Pressalit can be found on [pressalit.com](http://pressalit.com).



## CAUTION

en Always read the supplied instructions of the cleaning agent and comply with these instructions for safe use, dilution, rinsing, drying, handling and storage of the agent.

## IMPORTANT

- Do not rinse or spray water directly on the product.
- Do not use an autoclave or other type of steam cleaner.
- Avoid aggressive cleaning agents containing acid or base.
- Avoid using abrasive, caustic or chlorine-based cleaning agents



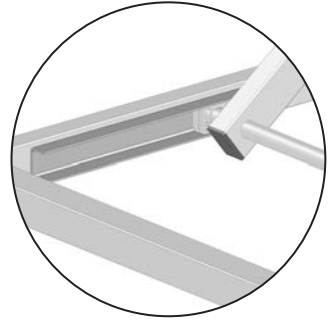
## CAUTION

Do not perform any type of cleaning or disinfection of the change trolley while the user is lying on it.

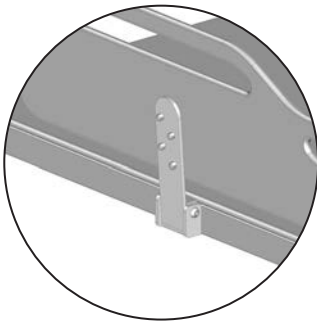
# Maintenance

It is recommended that a maintenance inspection be carried out once a year.

## Maintenance inspection



Lubricate the sliding rails at least every six months. Use a food grade grease.



Check whether all nuts, screws and hinges have become loose. Tighten if necessary.



Check the wheels for corrosion. Replace them if necessary.

en

# Electromagnetic compatibility



- Use of accessories, transducers and cables other than those specified or provided by the manufacturer could result in increased electromagnetic emissions or decreased electromagnetic immunity of this equipment and result in improper function.
- Portable RF communications equipment (including peripherals such as antenna cables and external antennas) should be used no closer than 30 cm (12 inches) to any part of the unit, including its cables, to avoid any degradation of the performance of this unit.
- Use of this equipment adjacent to or stacked with other equipment should be voided because it could result in improper operation. If such use is necessary, this equipment and the other equipment should be observed to verify that they are operating normally.

## Electromagnetic immunity / emission

<b>Electrostatic discharge</b>	
Test standard	Immunity test level
EN 61000-4-2	+/- 8 kV contact, +/- 2, 4, 8, 15 kV air
<b>Radiated RF electromagnetic field</b>	
Test standard	Immunity test level
EN 61000-4-3	15 V/m 80 MHz to 1 GHz, 15 V/m 1,01 GHz to 6 GHz 80 % AM 1 kHz
<b>Electrical fast transient/burst</b>	
Test standard	Immunity test level
EN 61000-4-4	+/- 1 kV , +/- 2 kV, 100 kHz repetition frequency
<b>Surge immunity</b>	
Test standard	Immunity test level
EN 61000-4-5	Line-to-line: +/- 0.5 kV, +/-1 kV Line-to-ground: +/- 0.5 kV, +/-1 kV, +/- 2 kV
<b>Immunity to conducted disturbances induced by RF fields</b>	
Test standard	Immunity test level
EN 61000-4-6	3 V (6 V in ISM bands and amateur radio bands) 0,15 to 80 MHz , 80 % AM at 1 kHz

en

**Immunity to proximity fields from RF wireless communication equipment**

Test standard	Immunity test level
EN 61000-4-3	385 MHz, 27 V/m, 18 Hz PM (50 % duty cycle square wave) 450 MHz, 28 V/m, FM +/- 5 kHz deviation, 1 kHz sine 710 MHz, 9 V/m, 217 Hz PM (50 % duty cycle square wave) 745 MHz, 9 V/m, 217 Hz PM (50 % duty cycle square wave) 780 MHz, 9 V/m, 217 Hz PM (50 % duty cycle square wave) 810 MHz, 28 V/m, 18 Hz PM (50 % duty cycle square wave) 870 MHz, 28 V/m, 18 Hz PM (50 % duty cycle square wave) 930 MHz, 28 V/m, 18 Hz PM (50 % duty cycle square wave) 1720 MHz, 28 V/m, 217 Hz PM (50 % duty cycle square wave) 1845 MHz, 28 V/m, 217 Hz PM (50 % duty cycle square wave) 1970 MHz, 28 V/m, 217 Hz PM (50 % duty cycle square wave) 2450 MHz, 28 V/m, 217 Hz PM (50 % duty cycle square wave) 5240 MHz, 9 V/m, 217 Hz PM (50 % duty cycle square wave) 5500 MHz, 9 V/m, 217 Hz PM (50 % duty cycle square wave) 5785 MHz, 9 V/m, 217 Hz PM (50 % duty cycle square wave)

**Voltage dips**

Test standard	Immunity test level
EN 61000-4-11	0 % U <sub>T</sub> ; 0.5 cycle at 0°, 45°, 90°, 135°, 180°, 225°, 270° and 315°, 0 % U <sub>T</sub> ; 1 cycle at 0°, 70 % U <sub>T</sub> ; 25 cycles at 0° Single phase at 0°

**Voltage interruptions**

Test standard	Immunity test level
EN 61000-4-11	0 % U <sub>T</sub> ; 300 cycle

**Conducted / Radiated RF emission**

Test standard	Emission test class and group
EN 55011	Class B, group 1

**Harmonic current emissions**

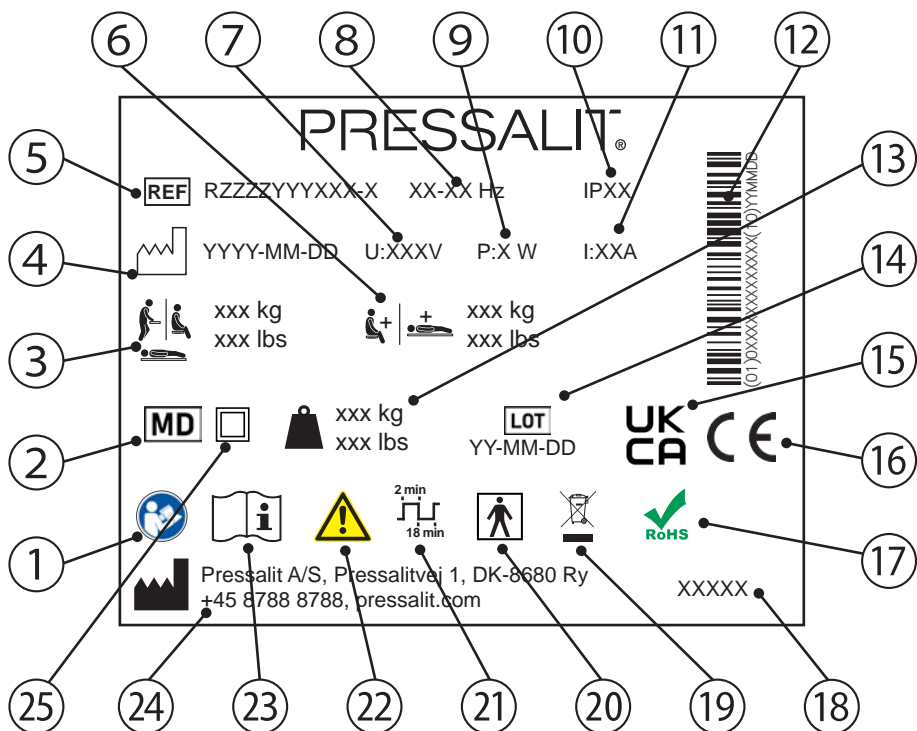
Test standard	Emission test class and group
IEC 61000-3-2	Class A

**Voltage changes, voltage fluctuations and flicker**

Test standard	Emission test class and group
EN 61000-3-3	Tested according to the standard.

en

# Product label



- ① Consult manual for use

---

- ② Medical device

---

- ③ Maximum user weight

---

- ④ Production date

---

- ⑤ Article number

---

- ⑥ Max load

---

- ⑦ Mains voltage

---

- ⑧ Frequency

---

- ⑨ Maximum power consumption



⑩ IP class

---

⑪ Electric Current

---

⑫ GS1-128 barcode

---

⑬ Product weight

---

⑭ Batch code

---

⑮ UK Conformity Assessed

---

These products are CE-marked in accordance with relevant requirements in:

- ⑯
- Regulation (EU) 2017/745 (5 April 2017) on medical devices.
  - Council Directive 2006/42/EC (of 17 May 2006) on machinery.
  - Council Directive 2011/65/EC (of 8 June 2011) on RoHS.

A declaration of conformity can be found at [pressalit.com](http://pressalit.com)

---

⑰ This product does not contain any of the hazardous substances mentioned in the Council Directive 2011/65/EC on RoHS.

---

⑱ Product name (if any)

---

⑲ Do not dispose as unsorted municipal waste. The product should be collected separately and returned to the designated recycling service.

---

⑳ Type BF applied part Part of the product in normal use necessarily comes into physical contact with the patient to perform its function The product complies with requirements of IEC 60601-1 to provide protection against electric shock

---

㉑ Duty cycle

---

㉒ Consult the manual for important cautionary information such as warnings and precautions

---

㉓ Consult manual for use

---

㉔ Name and address of manufacturer

---

㉕ Class II Product, double insulated

---

# Storage and transportation

- The temperature for transportation and storage of the unit must be between -10 and 50 degrees Celsius (14 and 122 degrees Fahrenheit). Keep humidity below 70%.
- The unit must always be transported in its original packaging.
- Avoid subjecting the packaging to shocks and impacts.
- Do not use the product if the packaging is broken or damaged.

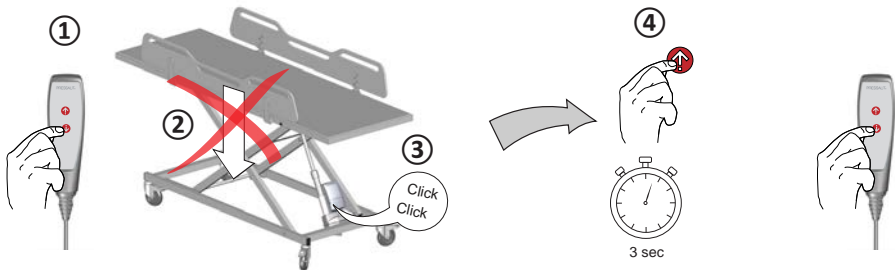
# Troubleshooting

Symptom	Cause	Action
No power.	The power plug has been pulled out.	Plug the power plug back into the socket.
The trolley has difficulty moving up and/or down, and the lifting mechanism emits a clicking sound.	The lifting unit lacks lubrication.	Lubricate the lifting unit. See <b>Maintenance</b> .
	The lifting unit may be stuck.	See <b>Resetting</b> .

en

Contact Pressalit A/S or your local dealer if the problem cannot be remedied. Do not attempt to repair the product yourself, as this will invalidate the warranty. Expected service life of the change trolley is 10 years.



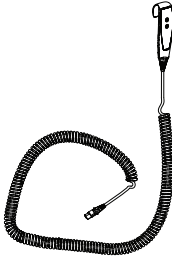



## Resetting



If the unit is stuck and will not go down, press the up button for 3 seconds and then the down button.



Contact Pressalit for a list of available spare parts.

		Power cord	Remote control
	EU/world	LB0696	 T4361
	UK/IRL	V6336	
	AUS/NZ	T4285	
	US/CAN	LB0688	

## Disposal and recycling

The unit contains reusable materials. There are no known hazards or risks associated with disposal of the product. All components can be discarded after having been cleaned and disinfected. When disposing of the product, we recommend that it be disassembled and broken down into different waste groups for recycling or combustion. The following table provides information on the recycling and handling of the product.

Recyclable components	Material
Steel	Steel can be recycled by being melted down and included as a secondary material in the production of new steel.
Plastics	Use plastic sorting and recycling systems where they are locally available. If such systems are not available, incineration of plastic waste can be an alternative, as it can generate energy that can be used for power production.
Electronics	The electronic components should be collected separately and returned to the designated recycling service.

# Indhold

Symboler, der er anvendt i denne vejledning .....	29
Generel sikkerhed .....	31
Sikkerhedsafstande .....	32
Tilsigtet brug .....	33
Tilsigtet personaleprofil .....	33
Tilsigtet brugerprofil .....	33
Betjeningsmiljø .....	33
Kontraindikationer for brug .....	34
Biokompatibilitet .....	34
Brændbarhed .....	34
Betjeningsinstruktioner .....	35
Sikkerhedsbremser .....	35
Sidestøtter .....	36
Højderegulering .....	37
Flytning af lejet .....	38
Tilbehør .....	39
Madras .....	39
Rengøring .....	40
Vedligeholdelse .....	41
Vedligeholdelsesinspektion .....	41
Elektromagnetisk kompatibilitet .....	42
Elektromagnetisk immunitet/emission .....	42
Produktmærkning .....	44
Opbevaring og transport .....	46
Fejlfinding .....	46
Nulstilling .....	46
Bortskaffelse og genbrug .....	47

# Symboler, der er anvendt i denne vejledning

Følgende symboler er anvendt i denne vejledning og i den tilhørende dokumentation, der følger med produktet.



**ADVARSEL** angiver en potentielt farlig situation, som, hvis den ikke undgås, kan medføre dødsfald eller alvorlig personskade.



**FORSIGTIG** angiver en potentielt farlig situation, som, hvis den ikke undgås, kan medføre større eller mindre personskade. Det kan også bruges til at advare om usikre fremgangsmåder.



**VIGTIGT** angiver vigtige oplysninger om håndtering og anvendelse af produktet.



**BEMÆRK** vedrører fremgangsmåder, der ikke er forbundet med personlig sikkerhed.



Advarsel om hovedskade



Advarsel om håndskade



Advarsel om skade på kønsdelene



Advarsel om fodskade



Patienten må ikke være uovervåget.



Kompatible produkter



Reservedele



Maks. brugervægt



Produktnummer/-versioner



Produktvægt



Data angående elektricitet

# Generel sikkerhed

## **ADVARSEL**

- Læs og forstå hele vejledningen før brug. Opbevar vejledningen tæt på produktet.
- Følg denne vejledning for at undgå uheld og alvorlig personskade.
- Dette produkt må aldrig bruges eller håndteres på anden måde end som angivet i denne vejledning, da dette vil kunne udgøre en risiko for din sikkerhed og beskadige produktet.
- Sørg for, at alle, der installerer eller bruger dette produkt og dets systemer, har de nødvendige oplysninger samt adgang til denne vejledning.

## **FORSIGTIG**

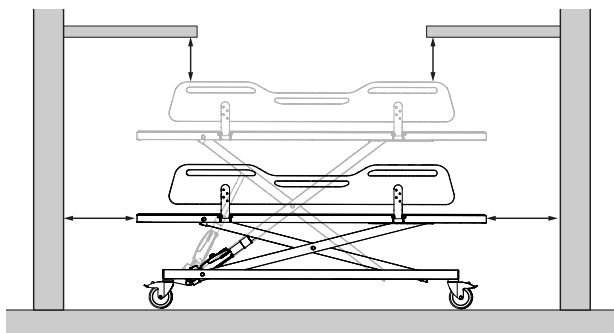
- Følg disse instruktioner for at undgå, at produktet beskadiges eller ødelægges.
- Der må ikke foretages reparationer, demontering, samlinger, udvidelser, tilpasninger eller ændringer på dette produkt. Dette må kun udføres af Pressalit eller af personer, som er autoriseret af Pressalit.
- Lad ikke børn betjene dette produkt uden opsyn. Produktet er ikke beregnet til leg.
- Produktet må ikke benyttes, hvis det er defekt eller beskadiget. Et defekt produkt må ikke anvendes, før det er repareret.

## **BEMÆRK**

- Oplysningerne i denne vejledning er baseret på korrekt justering af produktet i overensstemmelse med vores monteringsvejledning.
- Pressalit kan ikke holdes ansvarlig, hvis produktet bruges på andre måder end som beskrevet i vejledningen.
- Vi forbeholder os ret til at ændre denne vejledning uden forudgående varsel.

# Sikkerhedsafstande

Sørg for, at lejet er placeret i en sikker afstand fra omgivende genstande. Kontrollér afstandene før hver brug.



ISO 17966:2016



Maks. 120/60 mm



Min. 300 mm



Maks. 8/4 mm

Min. 25 mm



Maks. 8 mm

Min. 75 mm



Maks. 35/25 mm

Min. 120 mm

**⚠ ADVARSEL**

Hvis enheden bevæges inden for sikkerhedsafstandene, skal du være ekstra opmærksom på personer og genstande omkring enheden for at undgå knusningsfarer.



## Tilsigtet brug

Dette produkt er beregnet til at skifte en person, som ikke kan stå op eller sidde ned. Personen ligger vandret på det mobile skifteleje.

## Tilsigtet personaleprofil

Kun personale, der er uddannet inden for sundhedsplejen og/eller i at skifte en person, må bruge dette produkt.

## Tilsigtet brugerprofil

Produktet kan anvendes af alle – voksne, børn, unge og gamle, hvis vægt ikke overstiger den **maksimal belastning på 200 kg**.

## Betjeningsmiljø

Det mobile skifteleje er beregnet til anvendelse ved stuetemperatur, på skiftsteder i offentligt regi, på skoler, i private hjem, i daginstitutioner/ døgntilbud/på plejehjem og hospitaler under normale arbejdsforhold. Det mobile skifteleje kan bruges i tørre rum men ikke som et bruseleje til bad. Hvis den relative luftfugtighed er over 70 %, bliver den forventede levetid for enheden væsentligt reduceret. Det mobile skifteleje må ikke udsættes for klorholdige dampe.

dk



Produktets overflade kan blive varm eller kold, hvis den udsættes for eksterne varme- eller kuldekilder som f.eks. sollys eller frost.

## BEMÆRK

Enhver alvorlig hændelse, der opstår i relation til produktet, skal rapporteres til producenten og sundhedsmyndighederne.

En alvorlig hændelse defineres som en hændelse, der medfører døden for en patient, bruger eller en anden person, eller som forårsager en midlertidig eller permanent forringelse af personens helbred. En hændelse, der medførte eller potentielt kan medføre en alvorlig hændelse, skal rapporteres.

## **Kontraindikationer for brug**

Hvis produktet bruges til patienter med hudskader, sår eller andre lignende tilstande, anbefales det at bruge et håndklæde som en barriere for at forhindre åbne sår i at komme i direkte kontakt med substratet.

## **Biokompatibilitet**

Biokompatibiliteten af de materialer, der kommer i kontakt med brugers hud under den tilsigtede brug, er blevet evalueret i henhold til de procedurer, der er beskrevet i DS/EN ISO 10993-1:2020, som involverer, at materialerne undersøges for skadelige stoffer. På baggrund af denne evaluering anses materialerne for at være passende til den tilsigtede brug.

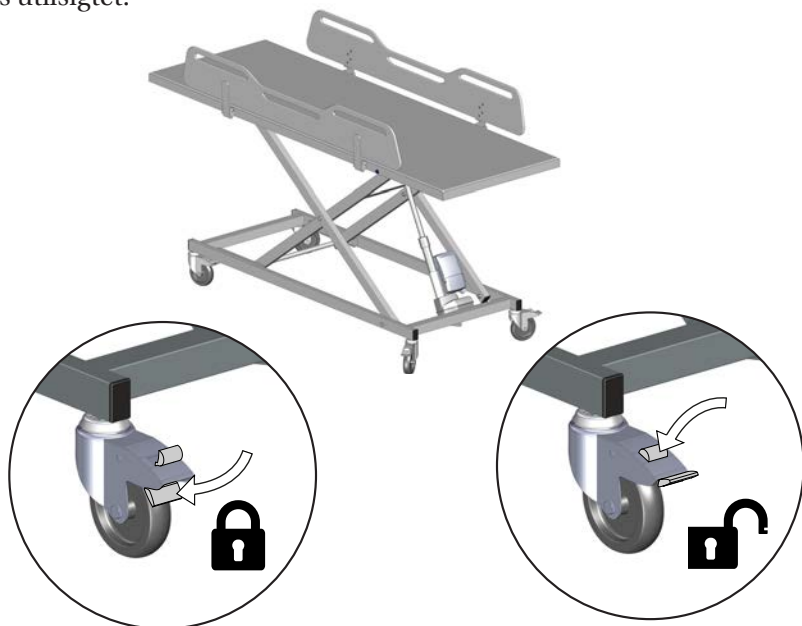
## **Brændbarhed**

Produktets materialer har gennemgået en brændbarhedstest i henhold til ISO 8191-1:1987 og ISO 8191-2:1988.

# Betjeningsinstruktioner

## Sikkerhedsbremser

Det mobile skifteleje har bremsere på alle fire hjul for at forhindre det i at flyttes utilsigtet.



**Sådan låses bremsene:** Træd på låsepedalen på alle fire hjul for at aktivere bremsene.

**Sådan låses bremsene op:** Træd på frigørelsesknappen på alle fire hjul for at frigøre bremsene.

dk



**Brug altid en fod til at låse hjulene eller låse dem op. Bær lukkede sko, og brug aldrig en hånd til at låse hjulene eller låse dem op.**



**ADVARSEL**

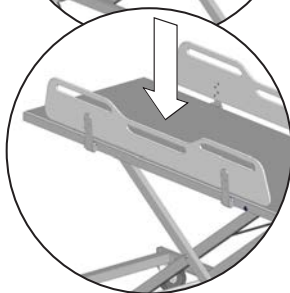
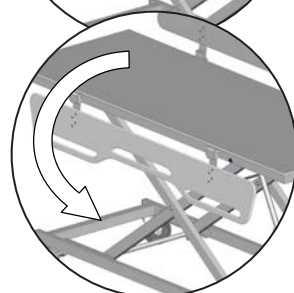
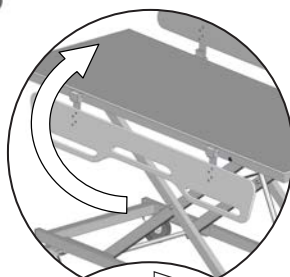
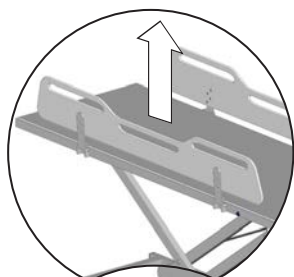
Sørg altid for, at låsene på alle fire hjul er forsvarligt låst, før du flytter en patient til eller fra det mobile skifteleje.



**Patienten må ikke være uovervåget.**

## Sidestøtter

Sidestøtterne kan foldes op og ned enkeltvist, så det er nemmere at flytte patienten.



**Sådan foldes den ned:** Løft sidestøtten opad for at låse den op, og sving den ned.

**Sådan foldes den op:** Sving sidestøtten op, og pres den ned for at låse den fast.



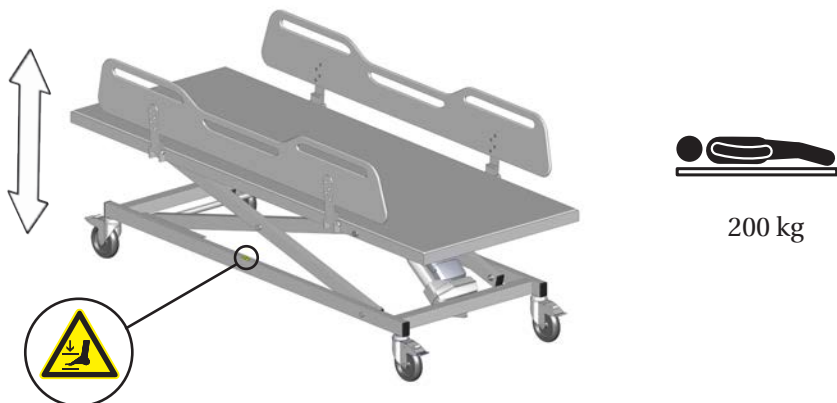
**Udvis forsigtighed ved låsning af sidestøtterne, så patientens hænder eller genitalier ikke kommer i klemme.**



**ADVARSEL**



Sidestøtterne skal altid holdes oprejst og låst på plads, når det mobile skifteleje er i brug, for at forhindre patienten i at falde ned.

## Højderegulering





Det mobile skifteleje kan justeres 500 mm op og ned. Den maksimale højde er 950 mm. Højdejusteringen styres med den ledningstilsluttede fjernbetjening.



	Tryk og hold på knappen med pil op for at hæve enheden. Når knappen slippes, stopper bevægelsen.
	Tryk og hold på knappen med pil ned for at sænke enheden. Når knappen slippes, stopper bevægelsen.

dk

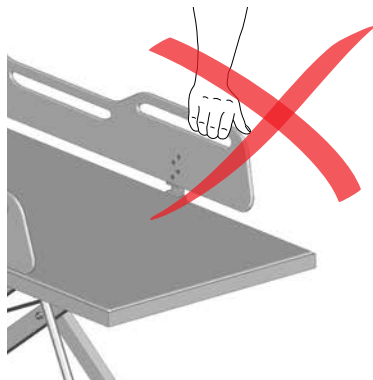
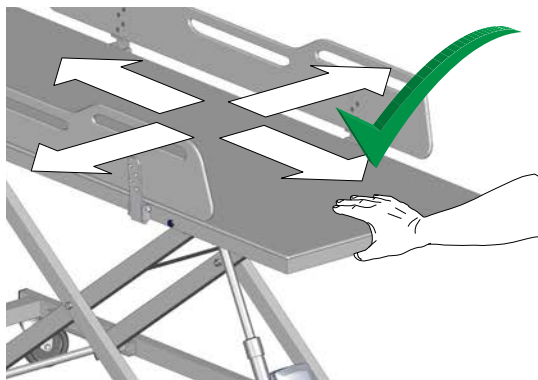
	<b>Sæt ikke din fod på rammen, og vær særligt opmærksom på risikoen for at fødder, hænder, børn eller genstande kan komme i klemme ved justering af enhedens højde.</b>
	<b>Sørg for, at ledningen til fjernbetjeningen ikke bliver viklet omkring patientens hals, hvor den kan udgøre en risiko for kvælning. Fjernbetjeningen med ledning skal placeres på sidestøtten, når den ikke er i brug.</b>

 **ADVARSEL**

Lad aldrig børn komme i nærheden af enheden, når den justeres i højden.

## Flytning af lejet

For at flytte det mobile skifteleje skal du låse alle fire hjul op som beskrevet. Tag fat i selve briksen, ikke sidestøtterne, når du flytter enheden. Udvis forsigtighed, når du flytter enheden.



**ADVARSEL**

Sørg for, at strømledningen ikke er viklet omkring patientens fødder eller placeret på en måde, der kan medføre kvælning. Når enheden er i brug, skal strømledningen være placeret på gulvet, og når den ikke er i brug, skal den placeres på siden af enheden.



**FORSIGTIG**

Vær opmærksom på strømledningen, og pas på ikke at falde over den, når den ligger på gulvet.

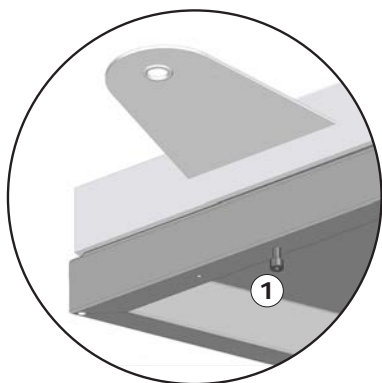
Bemærk, at selvom produktet er mobilt, er det tilsluttet en stikkontakt med en strømledning. Vær derfor forsigtig ved flytning af produktet for ikke at beskadige den elektriske installation eller produktet.

Inspicer altid både ledningen og stikkontakten for tegn på skader, før du sætter ledningen i. Hvis du opdager skader, skal ledningen udskiftes for at undgå risikoen for elektrisk stød.

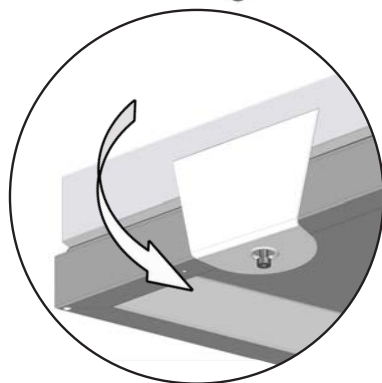
# Tilbehør

## Madras

Du kan lægge en madras på det mobile skifteleje for at øge komforten. Madrassen kan vendes og bruges på begge sider.



For at montere madrassen skal du løsne låseskruen ① ca. én centimeter.



skruen. Gør det samme med alle fire flapper.

Træk madrasflappen ned over

Produktet skal rengøres med varmt vand eller mildt sæbevand. Der findes en liste over passende rengøringsmidler/ desinfektionsmidler, der er testet af Pressalit, på [pressalit.com](http://pressalit.com).

Monteringsvejledningen følger med madrassen og kan også downloades fra [pressalit.com](http://pressalit.com).



dk

## VIGTIGT

For at opretholde god hygiejne anbefales det regelmæssigt at kontrollere for synlige skader eller tegn på slitage og revner i madrassen. Hvis der findes skader, skal madrassen straks udskiftes for at forhindre risikoen for kontaminering eller infektion.

## Rengøring

For at rengøre produktet skal du bruge en fugtig klud, der er vredet op i en mild sæbeblanding, som f.eks. et universalrengøringsmiddel. Efter rengøring er det vigtigt at aftørre produktet med en tør, blød klud. Dette trin er afgørende for at forhindre misfarvning af materialerne. Derudover er det en hjælp til at forhindre en potentiel forringelse af overfaldemalingen. Der findes en liste over passende rengøringsmidler/desinfektionsmidler, der er testet af Pressalit, på [pressalit.com](http://pressalit.com).

## FORSIGTIG

Læs altid de instruktioner, der følger med rengøringsmidlet, og følg instruktionerne for sikker brug, fortynding, skylning, tørring, håndtering og opbevaring af midlet.

## VIGTIGT

- Produktet må ikke skylles, og der må ikke sprøjtes vand direkte på produktet.
- Brug ikke autoklavering eller en anden form for damprensere.
- Undgå stærke rengøringsmidler, der indeholder syre eller base.
- Undgå brug af slibende, ætsende eller klorbaserede rengøringsmidler.

## FORSIGTIG

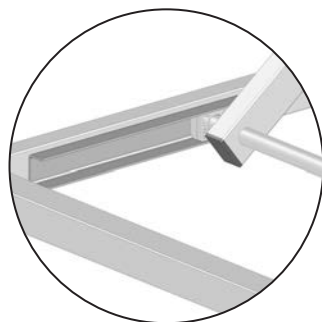
Der må ikke foretages nogen form for rengøring eller desinfektion af det mobile skifteleje, mens patienten ligger på det.



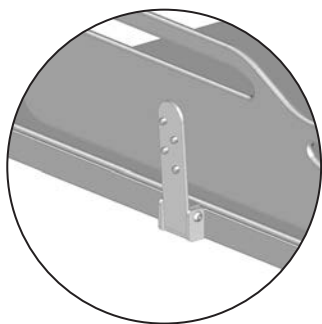
# Vedligeholdelse

Det anbefales, at der udføres en vedligeholdelsesinspektion en gang om året.

## Vedligeholdelsesinspektion



Smør glideskinnerne mindst hver sjette måned. Brug fødevarer-godkendt smørefedt.



Kontrollér, om møtrikker, skruer og hængsler er blevet løse. Stram dem om nødvendigt.



Kontrollér hjulene for korrosion. Udskift dem om nødvendigt.

# Elektromagnetisk kompatibilitet



- Brug af tilbehør, transducere og kabler af andre mærker end dem, der er specificeret eller leveret af producenten, kan medføre øgede elektromagnetiske emissioner eller reduceret elektromagnetisk immunitet i dette udstyr og medføre forkert funktion.
- Bærbart RF-kommunikationsudstyr (herunder perifert udstyr som f.eks. antennekabler og eksterne antenner) må ikke bruges tættere på end 30 cm fra enhver del af enheden, herunder kabler, for at undgå en eventuel forringelse af denne enheds ydeevne.
- Brug af dette udstyr i nærheden af eller stablet oven på andet udstyr skal undgås, da det kan medføre forkert funktion. Hvis en sådan brug er nødvendigt, skal dette udstyr og det andet udstyr observeres for at bekræfte, at det fungerer normalt.

## Elektromagnetisk immunitet/emission

<b>Elektrostatisk afladning</b>	
Teststandard	Niveau af immunitetstest
EN 61000-4-2	+/- 8 kV kontakt, +/- 2, 4, 8, 15 kV luft
<b>Udstrålet RF-elektromagnetisk felt</b>	
Teststandard	Niveau af immunitetstest
EN 61000-4-3	15 V/m 80 MHz til 1 GHz, 15 V/m 1,01 GHz til 6 GHz 80 % AM 1 kHz
<b>Hurtig elektrisk overspænding/strømstød</b>	
Teststandard	Niveau af immunitetstest
EN 61000-4-4	+/- 1 kV, +/- 2 kV, 100 kHz repetitionsfrekvens
<b>Overspændingsimmunitet</b>	
Teststandard	Niveau af immunitetstest
EN 61000-4-5	Fase-til-fase: +/- 0,5 kV, +/-1 kV Fase-til-jord: +/- 0,5 kV, +/-1 kV, +/- 2 kV
<b>Immunitet over for ledningsbårne forstyrrelser induceret af radiofrekvente felter</b>	
Teststandard	Niveau af immunitetstest
EN 61000-4-6	3 V (6 V i ISM-bånd og amatør radiobånd) 0,15 til 80 MHz, 80 % AM ved 1 kHz

**Immunitet over for proksimitetsfelter fra trådløst RF-kommunikationsudstyr**

Teststandard	Niveau af immunitetstest
EN 61000-4-3	385 MHz, 27V/m, 18 Hz PM (firkantimpuls på 50 % for driftscyklus) 450 MHz, 28V/m, FM +/- 5 kHz afvigelse, 1 kHz sine 710 MHz, 9V/m, 217 Hz PM (firkantimpuls på 50 % for driftscyklus) 745 MHz, 9V/m, 217 Hz PM (firkantimpuls på 50 % for driftscyklus) 780 MHz, 9V/m, 217 Hz PM (firkantimpuls på 50 % for driftscyklus) 810 MHz, 28V/m, 18 Hz PM (firkantimpuls på 50 % for driftscyklus) 870 MHz, 28V/m, 18 Hz PM (firkantimpuls på 50 % for driftscyklus) 930 MHz, 28V/m, 18 Hz PM (firkantimpuls på 50 % for driftscyklus) 1720 MHz, 28V/m, 217 Hz PM (firkantimpuls på 50 % for driftscyklus) 1845 MHz, 28V/m, 217 Hz PM (firkantimpuls på 50 % for driftscyklus) 1970 MHz, 28V/m, 217 Hz PM (firkantimpuls på 50 % for driftscyklus) 2450 MHz, 28V/m, 217 Hz PM (firkantimpuls på 50 % for driftscyklus) 5240 MHz, 9V/m, 217 Hz PM (firkantimpuls på 50 % for driftscyklus) 5500 MHz, 9V/m, 217 Hz PM (firkantimpuls på 50 % for driftscyklus) 5785 MHz, 9V/m, 217 Hz PM (firkantimpuls på 50 % for driftscyklus)

**Spændingsdyk**

Teststandard	Niveau af immunitetstest
EN 61000-4-11	0 % U <sub>T</sub> ; 0,5 cyklus ved 0°, 45°, 90°, 135°, 180°, 225°, 270° og 315°, 0 % U <sub>T</sub> ; 1 cyklus ved 0°, 70 % U <sub>T</sub> ; 25 cyklusser ved 0° Enfase ved 0°

**Spændingsforstyrrelser**

Teststandard	Niveau af immunitetstest
EN 61000-4-11	0 % U <sub>T</sub> ; 300 cyklus

**Ledningsbåret/udstrålet RF-emission**

Teststandard	Emissionstestklasse og -gruppe
EN 55011	Klasse B, gruppe 1

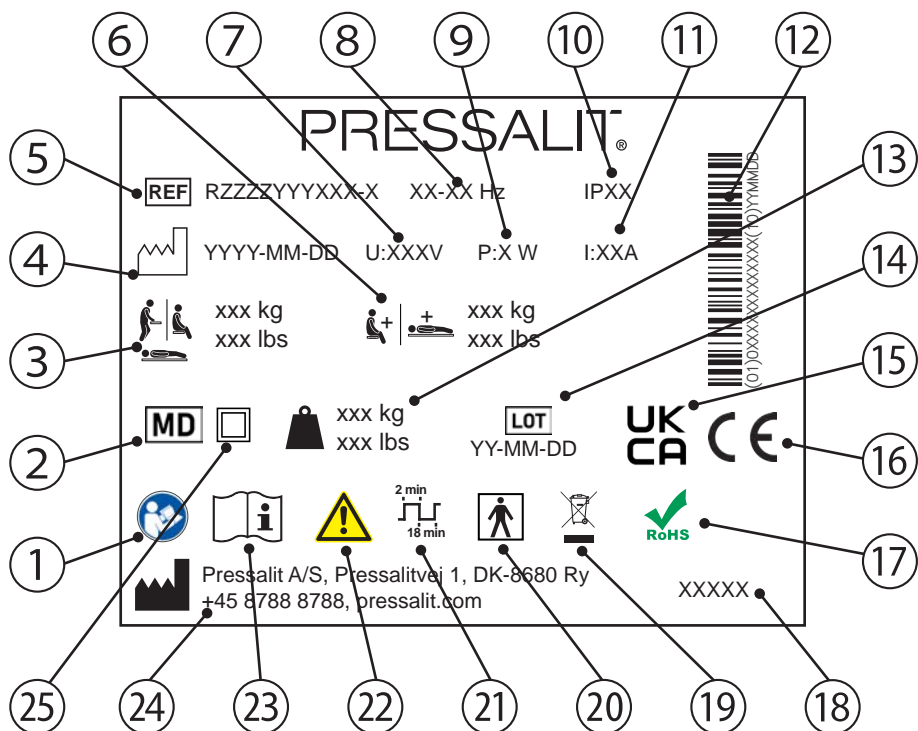
**Harmoniske strømmissioner**

Teststandard	Emissionstestklasse og -gruppe
IEC 61000-3-2	Klasse A

**Spændingsændringer, spændingsudsving og støj**

Teststandard	Emissionstestklasse og -gruppe
EN 61000-3-3	Testet i henhold til standarden.

# Produktmærkning



1 Se brugsvejledningen

2 Medicinsk udstyr

3 Maks. brugervægt

4 Fremstillingsdato

5 Produktnummer

6 Maksimal belastning

7 Netspænding

8 Frekvens

9 Maks. strømforbrug

⑩ IP-klasse

---

⑪ Strømstyrke

---

⑫ GS1-128-stregkode

---

⑬ Produktvægt

---

⑭ Batchkode

---

⑮ UKCA-mærkning (UK Conformity Assessment)

---

Disse produkter er CE-mærket i henhold til de relevante krav i:

- Forordning (EU) 2017/745 (af 5. april 2017) om medicinsk udstyr.

⑯ • Rådets direktiv 2006/42/EF (af 17. maj 2006) om maskiner.

- Rådets direktiv 2011/65/EF (af 8. juni 2011) om RoHS.

Der findes en overensstemmelseserklæring på [pressalit.com](http://pressalit.com)

---

⑰ Dette produkt indeholder ikke nogen af de farlige stoffer, der er nævnt i Rådets direktiv 2011/65/EF om RoHS.

---

⑱ Produktnavn (hvis det findes)

---

⑲ Må ikke bortskaffes som usorteret husholdningsaffald. Produktet skal indsamles særskilt og afleveres på den relevante genbrugsstation.

---

⑳ Type B anvendt del. Dele af produktet vil under normal anvendelse nødvendigvis komme i fysisk kontakt med patienten. Produktet opfylder kravene i IEC 60601-1 for at beskytte mod elektrisk stød

---

㉑ Driftscyklus

---

㉒ Se vigtige advarende oplysninger, som f.eks. advarsler og sikkerhedsforanstaltninger, i vejledningen

---

㉓ Se brugsvejledningen

---

㉔ Fabrikantens navn og adresse

---

㉕ Dobbeltisoleret elektrisk apparat

---

# Opbevaring og transport

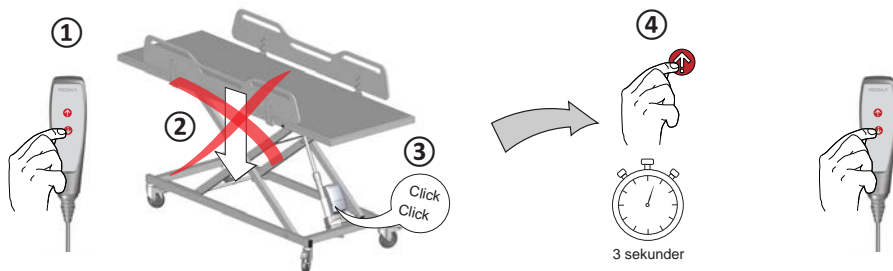
- Temperaturen for transport og opbevaring af enheden skal være mellem -10 og 50 °C. Hold luftfugtigheden under 70 %.
- Enheden skal altid transporteres in dens originale emballage.
- Undgå at udsætte emballagen for stød og slag.
- Produktet må ikke bruges, hvis emballagen er brudt eller beskadiget.

# Fejlfinding

Symptom	Årsag	Handling
Ingen strøm.	Strømstikket er blevet trukket ud.	Sæt strømstikket tilbage i stikkontakten.
Det mobile skifteleje er svært at flytte op og/eller ned, og løftemekanismen udsender en klikkende lyd.	Løfteenheden har brug for smørelse.	Smør løfteenheden. Se <b>Vedligeholdelse</b> .
	Løfteenheden kan sidde fast.	Se <b>Nulstilling</b> .

Kontakt Pressalit A/S eller din lokale forhandler, hvis problemet ikke kan løses. Forsøg ikke selv at reparere produktet, da dette vil ugyldiggøre garantien. Den forventede levetid for det mobile skifteleje er 10 år.







# Nulstilling



Hvis enheden sidder fast og ikke kan flyttes ned, skal du trykke på op-knappen i 3 sekunder og derefter ned-knappen.



Kontakt Pressalit for at få en komplet liste over tilgængelige reservedele.

		Strømledning	Fjernbetjening
	EU/verden	LB0696	 T4361
	Storbritannien/ Irland	V6336	
	Australien/New Zealand	T4285	
	USA/Canada	LB0688	

## Bortskaffelse og genbrug

Produktet indeholder genbrugelige materialer. Der er ingen kendte farer eller risici forbundet med bortskaffelse af produktet. Alle komponenter kan bortskaffes efter at være blevet rengjort og desinficeret. Ved bortskaffelse af produktet anbefales det, at det skilles ad og inddeles i forskellige affaldsgrupper til genbrug eller forbrænding. Følgende tabel indeholder oplysninger om genbrug og håndtering af produktet.

Genanvendelige komponenter	Materiale
Stål	Stål kan genbruges ved hjælp af omsmeltning og anvendes som sekundært materiale i produktionen af nyt stål.
Plastik	Brug sorterings- og genbrugssystemer til plast, når de findes lokalt. Hvis sådanne systemer ikke findes, kan forbrænding af plastikaffald være et alternativ, da det kan generere energi, som kan bruges til strømproduktion.
Elektronik	De elektroniske komponenter skal indsamles særskilt og afleveres på den relevante genbrugsstation.

# Inhalt

Symbole in dieser Gebrauchsanweisung .....	49
Allgemeine Sicherheitshinweise .....	51
Sicherheitsabstand .....	52
Verwendungszweck .....	53
Vorgesehene Benutzer .....	53
Vorgesehene Patienten .....	53
Betriebsbedingungen .....	53
Kontraindikationen .....	54
Biologische Beurteilung .....	54
Entzündbarkeit .....	54
Bedienungsanleitung .....	55
Sicherheitsbremsen .....	55
Seitengitter .....	56
Höhenverstellung .....	57
Bewegen .....	58
Zubehör .....	59
Matratze .....	59
Reinigung .....	60
Wartung .....	61
Wartungsinspektion .....	61
Elektromagnetische Verträglichkeit .....	62
Elektromagnetische Störfestigkeit/Emissionen .....	62
Typenschild .....	64
Aufbewahrung und Transport .....	66
Fehlerbehebung .....	66
Zurücksetzen .....	66
Entsorgung und Wiederverwertung .....	67



# Symbole in dieser Gebrauchsanweisung

Die folgenden Symbole werden sowohl in dieser Gebrauchsanweisung als auch in der mit dem Produkt mitgelieferten Dokumentation verwendet.



**WARNUNG** weist auf zu vermeidende Gefahrensituationen hin, die zum Tod oder zu schwerwiegenden Verletzungen führen können.



**VORSICHT** weist auf zu vermeidende Gefahrensituationen hin, die zu geringfügigen oder mittelschweren Verletzungen führen können. Es kann auch zur Warnung vor unsicheren Verfahren dienen.



**WICHTIG** weist auf wichtige Informationen zur Handhabung und Verwendung des Produkts hin.



**HINWEIS** kennzeichnet Verfahren und Informationen, ohne dass Verletzungsgefahr besteht.



Warnung: Verletzungsgefahr für den Kopf



Warnung: Verletzungsgefahr für die Hände



Warnung: Verletzungsgefahr für die Genitalien



Warnung: Verletzungsgefahr für die Füße

de



Der Patient darf nicht unbeaufsichtigt gelassen werden.



Kompatible Produkte



Ersatzteile



Max. Gewicht des Benutzers



Artikelnummer/Versionen



Gewichtangabe



Elektrische Daten

# Allgemeine Sicherheitshinweise

## **WARNUNG**

- Lesen Sie vor Verwendung des Produkts die Gebrauchsanweisung vollständig durch. Bewahren Sie die Gebrauchsanweisung in der Nähe des Produkts auf.
- Befolgen Sie diese Gebrauchsanweisung, um schwerwiegende Verletzungen zu vermeiden.
- Verwenden und handhaben Sie dieses Produkt ausschließlich wie in dieser Gebrauchsanweisung beschrieben. Anderenfalls besteht Verletzungsgefahr für den Anwender oder die Gefahr von Schäden am Produkt.
- Stellen Sie sicher, dass alle Personen, die dieses Produkt und seine Komponenten installieren oder verwenden, über die notwendigen Informationen verfügen und Zugang zu dieser Gebrauchsanweisung haben.

## **VORSICHT**

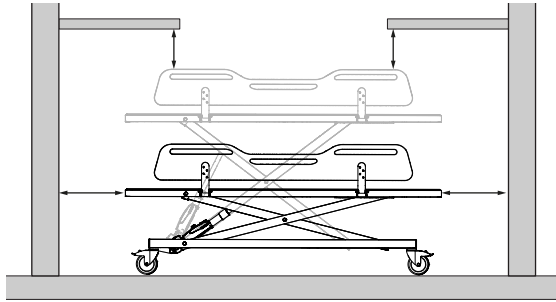
- Befolgen Sie diese Anweisungen, um Schäden am Produkt zu vermeiden.
- Nehmen Sie keine Reparaturen, Montagen, Erweiterungen, Anpassungen oder Veränderungen am Produkt vor und zerlegen Sie es nicht. Diese Arbeiten dürfen ausschließlich von Pressalit-Mitarbeitern oder von anderen, durch Pressalit autorisierten Personen durchgeführt werden.
- Lassen Sie niemals Kinder unbeaufsichtigt dieses Produkt bedienen. Das Produkt darf nicht als Spielzeug verwendet werden.
- Verwenden Sie das Produkt niemals, wenn es defekt oder beschädigt ist. Verwenden Sie ein defektes Produkt erst wieder, nachdem es repariert wurde.





















## **HINWEIS**

- Die Informationen in dieser Gebrauchsanweisung setzen den korrekten Einbau des Produkts gemäß unserer Montageanweisung voraus.
- Pressalit haftet nicht, wenn das Produkt anders als in dieser Gebrauchsanweisung beschrieben verwendet wird.
- Änderungen vorbehalten.

# Sicherheitsabstand

Stellen Sie sicher, dass sich das Produkt in sicherem Abstand zu Gegenständen in der Umgebung befindet. Überprüfen Sie die Abstände vor Verwendung des Produkts.



ISO 17966:2016			
		Max. 120/60 mm 	Min. 300 mm 
		Max. 8/4 mm  	Min. 25 mm 
		Max. 8 mm  	Min. 75 mm 
		Max. 35/25 mm  	Min. 120 mm 

## **WARNUNG**

Während das Produkt innerhalb der Sicherheitsabstände hochgefahren und abgesenkt wird, muss zur Vermeidung von Quetschverletzungen auf Personen und Objekte in der Umgebung geachtet werden.

# Verwendungszweck

Das Produkt ist zum Umziehen von Personen vorgesehen, die nicht stehen oder sitzen können. Die Person liegt dabei waagrecht auf der mobilen Ankleideliege.

## Vorgesehene Benutzer

Dieses Produkt ist nur von Personen zu verwenden, die in der medizinischen Pflege und/oder im Umkleiden von durch sie betreuten Personen geschult sind.

## Vorgesehene Patienten

Das Produkt kann von Erwachsenen und Kindern jeden Alters genutzt werden, deren Körpergewicht die **maximale Belastbarkeit von 200 kg** nicht überschreitet.

## Betriebsbedingungen

Die mobile Ankleideliege ist zur Verwendung unter normalen Arbeitsbedingungen bei Raumtemperatur in öffentlichen Räumen, Schulen, Privathaushalten, betreutem Wohnen, Tagespflegeeinrichtungen, Pflegeheimen und Krankenhäusern vorgesehen.

Die mobile Ankleideliege darf nur in trockenen Räumen genutzt werden, also nicht als Duschliege. Bei einer relativen Luftfeuchtigkeit von mehr als 70 % verringert sich die erwartete Lebensdauer des Produkts erheblich. Die mobile Ankleideliege darf keinen chlorhaltigen Dämpfen ausgesetzt werden.



Die Oberfläche des Produkts kann sich stark erhitzen bzw. abkühlen, wenn sie externen Wärme- bzw. Kältequellen ausgesetzt ist (wie z. B. direkter Sonneneinstrahlung oder Frost).

## HINWEIS

Jeder schwerwiegende Vorfall, der im Zusammenhang mit dem Produkt aufgetreten ist, muss dem Hersteller und den Gesundheitsbehörden gemeldet werden.

Ein schwerwiegender Vorfall ist definiert als jeder Vorfall, der zum Tod eines Patienten, Benutzers oder einer anderen Person führt, oder der eine vorübergehende oder dauerhafte Verschlechterung des Gesundheitszustands einer Person nach sich zieht. Jeder Vorfall, der zu einem schwerwiegenden Vorfall geführt hat oder dazu führen könnte, muss gemeldet werden.

## **Kontraindikationen**

Wenn das Produkt bei Patienten mit Hautschäden, Wunden oder ähnlichen Auffälligkeiten eingesetzt wird, wird empfohlen, zum Schutz der Haut ein Handtuch unterzulegen, um zu verhindern, dass offene Wunden direkt mit der Beschichtung in Kontakt kommen.

## **Biologische Beurteilung**

Die biologischen Eigenschaften der Materialien, die bei der vorgesehenen Verwendung mit der Haut des Benutzers in Kontakt kommen, wurden gemäß EN ISO 10993-1:2020 („Biologische Beurteilung von Medizinprodukten“) unter anderem auf Schadstoffe getestet. Diese Beurteilung ergab, dass die Materialien für den vorgesehenen Verwendungszweck geeignet sind.

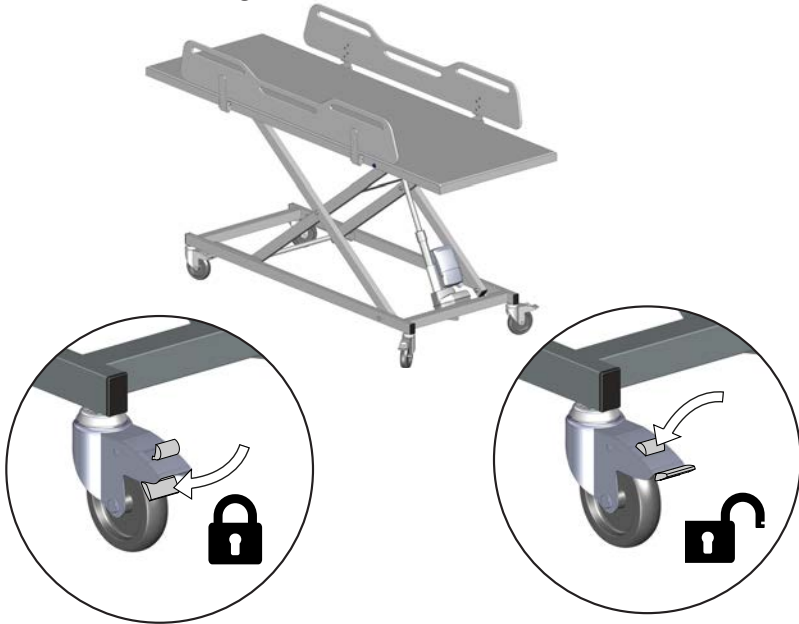
## **Entzündbarkeit**

Die Materialien des Produkts wurden gemäß ISO 8191-1:1987 und ISO 8191-2:1988 auf Entzündbarkeit getestet.

# Bedienungsanleitung

## Sicherheitsbremsen

Alle vier Räder der mobilen Ankleideliege sind mit Bremsen ausgestattet, um ein versehentliches Bewegen zu verhindern.



**Bremsen feststellen:** Treten Sie an allen vier Rädern auf die Feststellhebel, um die Bremsen zu betätigen.

**Bremsen lösen:** Treten Sie an allen vier Rädern auf den Entriegelungshebel, um die Bremsen zu lösen.

de



**Arretieren bzw. lösen Sie die Bremsen an den Rädern stets mit dem Fuß. Tragen Sie geschlossenes Schuhwerk und arretieren bzw. lösen Sie die Bremsen nie mit den Händen.**



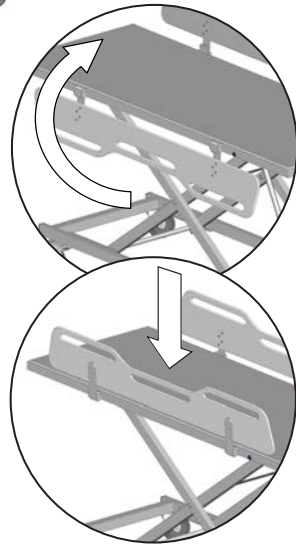
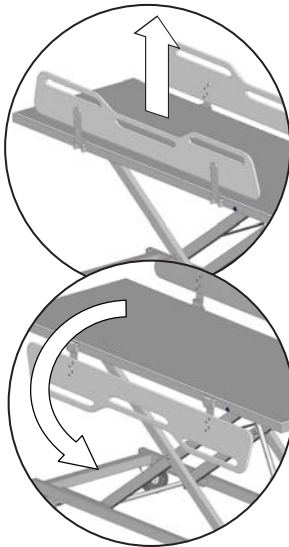
Achten Sie stets darauf, dass die Bremsen an allen vier Rädern festgestellt sind, bevor Sie einen Patienten auf die oder von der mobilen Ankleideliege umlagern.



**Der Patient darf nicht unbeaufsichtigt gelassen werden.**

## Seitengitter

Die Seitengitter können einzeln hoch- und heruntergeklappt werden, um die Umlagerung des Patienten zu erleichtern.



**Herunterklappen:** Heben Sie die Seitengitter an, um sie zu entriegeln und klappen Sie sie dann nach unten.

**Hochklappen:** Klappen Sie die Seitengitter hoch und drücken Sie sie dann nach unten, bis sie einrasten.



**Achten Sie beim Feststellen der Seitengitter darauf, dass die Hände und Genitalien des Patienten nicht eingeklemmt werden.**

 **WARNUNG**

Lassen Sie während der Verwendung der mobilen Ankleideliege die Seitengitter stets hochgeklappt und verriegelt, damit der Patient nicht herausfallen kann.



## Höhenverstellung



Die mobile Ankleideliege kann um 500 mm nach oben und unten verstellt werden. Der maximale Hubbereich liegt bei 950 mm. Die Höhenverstellung erfolgt über die kabelgebundene Fernbedienung.



	Halten Sie zum Hochfahren die Taste „Auf“ gedrückt. Wenn Sie die Taste loslassen, wird die Aufwärts- bzw. Abwärtsbewegung angehalten.
	Halten Sie zum Absenken die Taste „Ab“ gedrückt. Wenn Sie die Taste loslassen, wird die Aufwärts- bzw. Abwärtsbewegung angehalten.

de

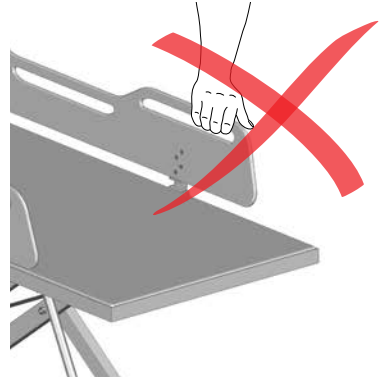
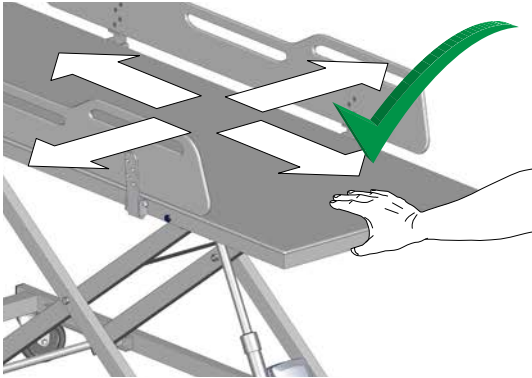
	<p><b>Stellen Sie Ihren Fuß nicht auf den Halterahmen und achten Sie beim Einstellen des Produkts unbedingt darauf, keine Füße, Hände oder anderen Körperteile, insbesondere von Kindern, und auch keine Gegenstände einzuklemmen.</b></p>
	<p><b>Achten Sie darauf, dass sich das Kabel der Fernbedienung nicht um den Hals des Patienten wickelt, da für diesen sonst Erstickungsgefahr besteht. Wenn die Fernbedienung nicht verwendet wird, muss diese mitsamt dem Kabel am Seitengitter eingehängt werden.</b></p>

### **WARNUNG**

Während die Höhe des Produkts verstellt wird, dürfen sich keine Kinder in dessen Nähe befinden.

## Bewegen

Um die mobile Ankleideliege zu bewegen, lösen Sie zunächst wie beschrieben die Bremsen an allen vier Rädern. Wenn Sie das Produkt bewegen möchten, fassen Sie es an der Liegefläche selbst und nicht an den Seitengittern. Seien Sie beim Bewegen des Produkts vorsichtig.



### **WARNUNG**

Stellen Sie sicher, dass das Stromkabel nicht um die Füße des Patienten gewickelt ist und dass es kein Erstickungsrisiko darstellt. Während das Produkt verwendet wird, sollte das Stromkabel auf dem Boden liegen; wenn es nicht verwendet wird, sollte es an der Seite des Produkts platziert werden.

### **VORSICHT**

Achten Sie auf das Stromkabel, um nicht darüber zu stolpern, wenn es auf dem Boden liegt.

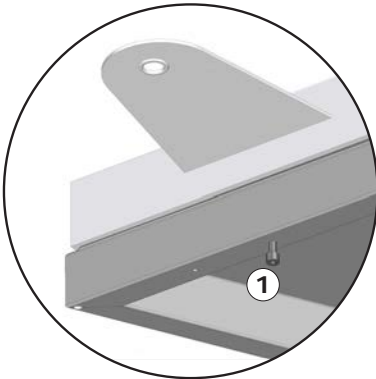
Beachten Sie, dass das Produkt zwar mobil, aber in der Regel über ein Stromkabel an eine Steckdose angeschlossen ist. Seien Sie daher vorsichtig, wenn Sie das Produkt bewegen, um die elektrischen Anschlüsse und das Produkt nicht zu beschädigen.

Untersuchen Sie sowohl das Kabel als auch den Stecker vor jedem Einstecken auf sichtbare Beschädigungen. Wenn Sie Beschädigungen erkennen, tauschen Sie das Kabel aus, um das Risiko eines elektrischen Schlags zu vermeiden.

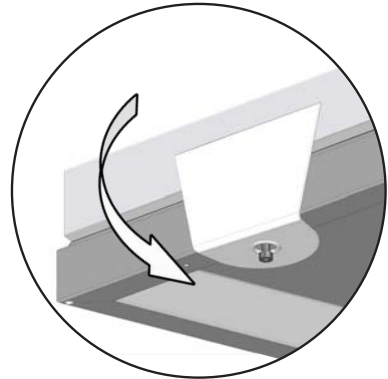
# Zubehör

## Matratze

Sie können eine Matratze auf der mobilen Ankleideliege montieren, damit der Patient bequemer liegen kann. Es handelt sich um eine Wendematratze, die beidseitig verwendbar ist.



Drehen Sie zur Montage der Matratze die Verriegelungsschraube ① um ca. einen Zentimeter heraus.

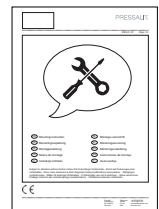


Ziehen Sie die Lasche der Matratzen über die Schraube nach unten. Wiederholen Sie diesen Schritt mit allen vier Laschen.

de

Das Produkt kann mit heißem Wasser oder einem milden Reinigungsmittel gereinigt werden. Eine Liste geeigneter Reinigungs-/ Desinfektionsmittel, die von Pressalit geprüft wurden, finden Sie unter [pressalit.com](http://pressalit.com).

Eine Montageanleitung ist im Lieferumfang der Matratze enthalten und kann zudem über [pressalit.com](http://pressalit.com) heruntergeladen werden.



## WICHTIG

Aus Gründen der Hygiene wird empfohlen, die Matratze regelmäßig auf sichtbare Beschädigungen und Verschleißerscheinungen zu prüfen. Wenn Beschädigungen vorliegen, muss die Matratze sofort ausgetauscht werden, um das Risiko einer Verunreinigung oder Infektion zu vermeiden.

## Reinigung

Reinigen Sie das Produkt mit einem feuchten Tuch, das in eine milde Seifenlauge, wie z. B. Universalreiniger, getaucht und dann ausgewrungen wurde. Nach der Reinigung muss das Produkt mit einem trockenen, weichen Tuch abgewischt werden. Dieser Schritt ist wichtig, um die Materialien vor Verfärbungen zu schützen. Außerdem schützt dies vor einer möglichen Zersetzung der Oberflächenlackierung. Eine Liste geeigneter Reinigungs-/Desinfektionsmittel, die von Pressalit geprüft wurden, finden Sie unter [pressalit.com](http://pressalit.com).



## VORSICHT

Lesen Sie immer die Gebrauchsanweisung des verwendeten Reinigungsmittels und befolgen Sie die darin enthaltenen Anweisungen zu sicherem Gebrauch, Verdünnung, Abspülen, Trocknen, Handhabung und Lagerung.

## WICHTIG

- Das Produkt darf nicht gespült werden und es darf kein Wasser direkt auf das Produkt gesprüht werden.
- Verwenden Sie keinen Autoklaven oder eine andere Art von Dampfreiniger.
- Verwenden Sie keine aggressiven säure- oder laugenhaltigen Reinigungsmittel.
- Verwenden Sie keine scheuernden, ätzenden oder chlorhaltigen Reinigungsmittel.



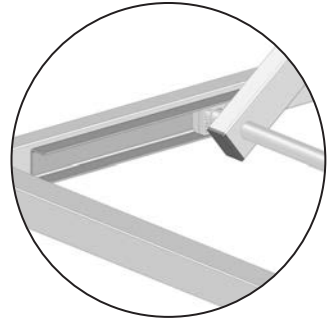
## VORSICHT

Reinigen oder desinfizieren Sie die mobile Ankleideliege nicht, während ein Patient darauf liegt.

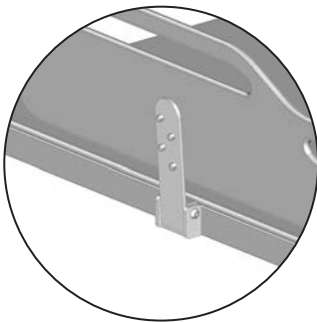
# Wartung

Es wird empfohlen, einmal im Jahr eine Wartungsinspektion durchzuführen.

## Wartungsinspektion



Die Gleitschienen sollten mindestens alle sechs Monate geschmiert werden. Dabei ist ein lebensmitteltaugliches Schmiermittel zu verwenden.



Überprüfen Sie, ob eine oder mehrere Muttern, Schrauben oder Scharniere locker sind. Ziehen Sie sie bei Bedarf fest.



Prüfen Sie die Räder auf Korrosion. Ersetzen Sie sie, falls erforderlich.

de

# Elektromagnetische Verträglichkeit



- Die Verwendung von Zubehör, Messwandlern und Kabeln, die nicht vom Hersteller empfohlen oder bereitgestellt wurden, kann zu erhöhten elektromagnetischen Emissionen oder einer verringerten elektromagnetischen Störfestigkeit dieses Geräts führen und Fehlfunktionen zur Folge haben.
- Tragbare HF-Kommunikationsgeräte (einschließlich Peripheriegeräte wie Antennenkabel und externe Antennen) müssen in einem Abstand von mindestens 30 cm zum Gerät (auch zu den Kabeln) verwendet werden, damit das Gerät nicht in seiner Leistung beeinträchtigt wird.
- Die Verwendung dieses Geräts neben oder auf anderen Geräten ist nicht zulässig, da dies der bestimmungsgemäßen Verwendung widerspricht. Ist eine solche Verwendung dennoch erforderlich, muss die ordnungsgemäße Funktion aller involvierten Geräte sorgfältig überwacht werden.

## Elektromagnetische Störfestigkeit/Emissionen

<b>Elektrostatische Entladung</b>	
Teststandard	Prüfung der Störfestigkeit
EN 61000-4-2	+/- 8 kV (Kontaktentladung), +/- 2, 4, 8, 15 kV (Luftentladung)
<b>Elektromagnetisches HF-Strahlungsfeld</b>	
Teststandard	Prüfung der Störfestigkeit
EN 61000-4-3	15 V/m bei 80 MHz bis 1 GHz, 15 V/m bei 1,01 GHz bis 6 GHz 80 % AM 1 kHz
<b>Schnelle transiente elektrische Störgrößen/Bursts</b>	
Teststandard	Prüfung der Störfestigkeit
EN 61000-4-4	+/- 1 kV, +/- 2 kV, 100 kHz Wiederholrate
<b>Überspannungsfestigkeit</b>	
Teststandard	Prüfung der Störfestigkeit
EN 61000-4-5	Leitung-zu-Leitung: +/- 0,5 kV, +/- 1 kV Leitung-zu-Erde: +/- 0,5 kV, +/- 1 kV, +/- 2 kV
<b>Störfestigkeit gegen durch HF-Felder induzierte geleitete Störgrößen</b>	
Teststandard	Prüfung der Störfestigkeit
EN 61000-4-6	3 V (6 V in ISM-Bändern und Amateurfunkbereichen) 0,15 bis 80 MHz, 80 % AM bei 1 kHz

## **Störfestigkeit gegenüber HF-Feldern von in der Nähe befindlichen drahtlosen Kommunikationsgeräten**

Teststandard	Prüfung der Störfestigkeit
EN 61000-4-3	385 MHz, 27V/m, 18 Hz PM (50 % Betriebszyklus, Rechteckwelle) 450 MHz, 28V/m, FM +/- 5 kHz Abweichung, 1 kHz Sinus 710 MHz, 9V/m, 217 Hz PM (50 % Betriebszyklus, Rechteckwelle) 745 MHz, 9V/m, 217 Hz PM (50 % Betriebszyklus, Rechteckwelle) 780 MHz, 9V/m, 217 Hz PM (50 % Betriebszyklus, Rechteckwelle) 810 MHz, 28V/m, 18 Hz PM (50 % Betriebszyklus, Rechteckwelle) 870 MHz, 28V/m, 18 Hz PM (50 % Betriebszyklus, Rechteckwelle) 930 MHz, 28V/m, 18 Hz PM (50 % Betriebszyklus, Rechteckwelle) 1720 MHz, 28V/m, 217 Hz PM (50 % Betriebszyklus, Rechteckwelle) 1845 MHz, 28V/m, 217 Hz PM (50 % Betriebszyklus, Rechteckwelle) 1970 MHz, 28V/m, 217 Hz PM (50 % Betriebszyklus, Rechteckwelle) 2450 MHz, 28V/m, 217 Hz PM (50 % Betriebszyklus, Rechteckwelle) 5240 MHz, 9V/m, 217 Hz PM (50 % Betriebszyklus, Rechteckwelle) 5500 MHz, 9V/m, 217 Hz PM (50 % Betriebszyklus, Rechteckwelle) 5785 MHz, 9V/m, 217 Hz PM (50 % Betriebszyklus, Rechteckwelle)

### **Spannungsabfall**

Teststandard	Prüfung der Störfestigkeit
EN 61000-4-11	0 % U <sub>T</sub> ; 0,5 Zyklen bei 0°, 45°, 90°, 135°, 180°, 225°, 270° und 315°; 0 % U <sub>T</sub> ; 1 Zyklus bei 0°; 70 % U <sub>T</sub> ; 25 Zyklen bei 0° Einphasig bei 0°

### **Spannungsunterbrechungen**

Teststandard	Prüfung der Störfestigkeit
EN 61000-4-11	0 % U <sub>T</sub> ; 300 Zyklen

### **Geleitete/gestrahlte HF-Emissionen**

Teststandard	Klasse und Gruppe der Emissionskontrolle
EN 55011	Klasse B, Gruppe 1

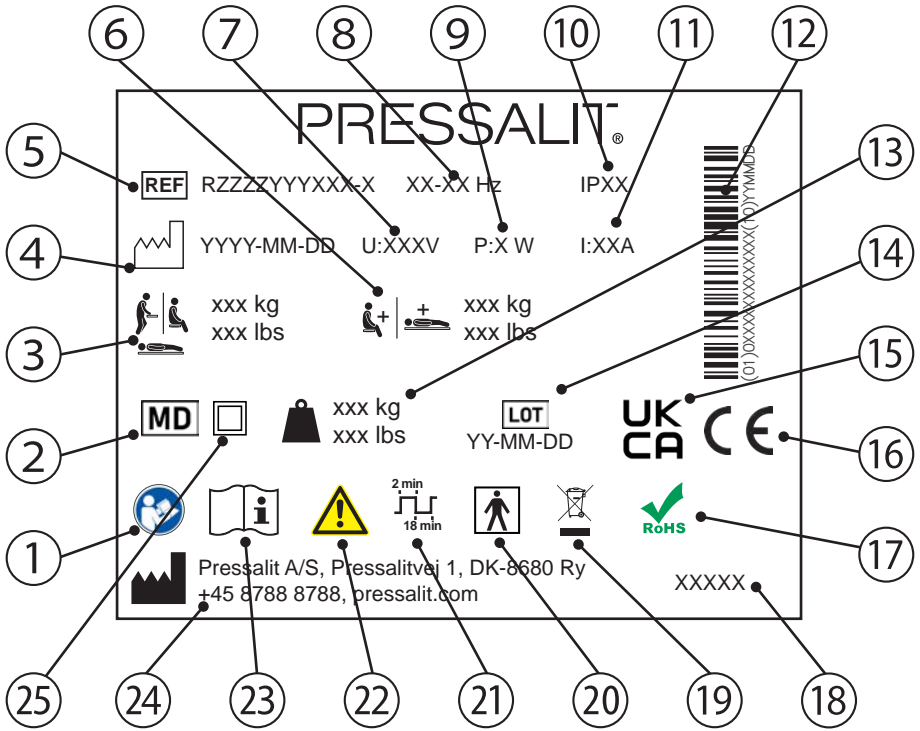
### **Emissionen von Oberschwingungsstrom**

Teststandard	Klasse und Gruppe der Emissionskontrolle
IEC 61000-3-2	Klasse A

### **Spannungsänderungen, Spannungsschwankungen und Flackern**

Teststandard	Klasse und Gruppe der Emissionskontrolle
EN 61000-3-3	Standardgemäß geprüft.

# Typenschild



- 1 Gebrauchsanweisung beachten.

---

- 2 Medizinprodukt

---

- 3 Maximales Gewicht des Benutzers

---

- 4 Herstellungsdatum

---

- 5 Artikelnummer

---

- 6 Maximale Belastbarkeit

---

- 7 Netzspannung

---

- 8 Frequenz

---

- 9 Maximale Leistungsaufnahme



⑩ IP-Klasse

---

⑪ Elektrischer Strom

---

⑫ GS1-128-Barcode

---

⑬ Gewichtangabe

---

⑭ Chargennummer

---

⑮ UKCA-Kennzeichnung (UK Conformity Assessed)

---

Diese Produkte tragen das CE-Zeichen und erfüllen alle relevanten Anforderungen gemäß:

- Verordnung (EU) 2017/745 (vom 5. April 2017) über Medizinprodukte

⑯

- Richtlinie 2006/42/EG des Rates (vom 17. Mai 2006) für Maschinen

- Richtlinie 2011/65/EG des Rates (vom 8. Juni 2011) zu RoHS (engl. Restriction of Hazardous Substances, Beschränkung gefährlicher Stoffe)

Eine Konformitätserklärung kann unter [pressalit.com](http://pressalit.com) eingesehen werden.

---

⑰

Dieses Produkt enthält keinen der in der Richtlinie 2011/65/EG des Rates zu RoHS genannten Gefahrstoffe.

---

⑱

Produktname (sofern vorhanden)

---

⑲

Nicht im Hausmüll entsorgen. Das Produkt muss separat entsorgt und der entsprechenden Wiederverwertung zugeführt werden.

---

Teil mit Patientenkontakt, Typ BF. Ein Teil des Produkts kommt bei normalem Gebrauch notwendigerweise in physischen Kontakt mit dem Patienten, um seine vorgesehene Funktion zu erfüllen. Das Gerät entspricht den Anforderungen der IEC 60601-1 zum Schutz vor elektrischem Schlag.

---

⑳

Betriebszyklus

---

㉑

Wichtige Sicherheitshinweise und Vorsichtsmaßnahmen in der Gebrauchsanweisung beachten.

---

㉒

Gebrauchsanweisung beachten.

---

㉓

Name und Anschrift des Herstellers

---

㉔

Doppelt isoliertes elektrisches Gerät

---

# Aufbewahrung und Transport

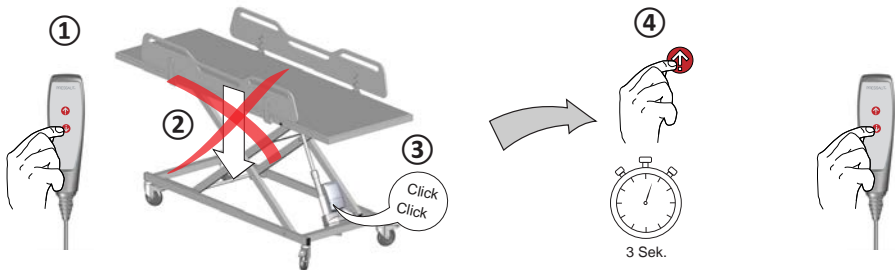
- Die Temperatur bei Aufbewahrung bzw. Transport des Produkts muss zwischen  $-10$  und  $+50$  °C liegen. Halten Sie die Luftfeuchtigkeit unter 70 %.
- Das Produkt muss immer in seiner Originalverpackung transportiert werden.
- Das verpackte Produkt sollte keinen Stößen oder Schlägen ausgesetzt werden.
- Das Produkt darf nicht verwendet werden, wenn die Verpackung beschädigt ist.

# Fehlerbehebung

Problem	Ursache	Abhilfe
Kein Strom.	Der Netzstecker wurde gezogen.	Stecken Sie den Stecker wieder in die Steckdose.
Beim Hochfahren und Absenken der Ankleideliege gibt es Schwierigkeiten mit dem Hubmechanismus und es ist ein Klickgeräusch zu hören.	Das Schmiermittel für die Hubeinheit ist verbraucht.	Schmieren Sie die Hubeinheit. Weitere Informationen finden Sie unter <b>Wartung</b> .
	Möglicherweise klemmt die Hubeinheit.	Weitere Informationen finden Sie unter <b>Zurücksetzen</b> .

Falls sich das Problem nicht beheben lässt, wenden Sie sich an Pressalit A/S oder Ihren Händler vor Ort. Versuchen Sie nicht, das Produkt selbst zu reparieren, da hierdurch die Garantie erlischt. Die erwartete Nutzungsdauer der mobilen Ankleideliege liegt bei 10 Jahren.







## Zurücksetzen



Wenn das Produkt klemmt und nicht nach unten fährt, drücken Sie die Taste „Auf“ 3 Sekunden lang und anschließend die Taste „Ab“.



Eine vollständige Liste aller verfügbaren Ersatzteile erhalten Sie auf Anfrage von Pressalit.

		Stromkabel	Fernbedienung
	EU/weltweit	LB0696	 T4361
	UK/IRL	V6336	
	AUS/NZ	T4285	
	US/CAN	LB0688	

## Entsorgung und Wiederverwertung

Das Produkt enthält wiederverwertbare Materialien. Die Entsorgung des Produkts ist mit keinen bekannten Gefahren oder Risiken verbunden. Alle Komponenten können entsorgt werden, nachdem sie gereinigt und desinfiziert wurden. Wir empfehlen, das Produkt zur Entsorgung zu zerlegen und in die verschiedenen Abfallfraktionen für die Wiederverwertung oder Verbrennung zu trennen. Die folgende Tabelle enthält weitere Angaben zur Wiederverwertung und Entsorgung des Produkts.

Wiederverwertbare Komponenten	Material
Stahl	Stahl kann durch Einschmelzen wiederverwertet werden und als Sekundärmaterial in die Produktion von Neustahl einfließen.
Kunststoff	Nutzen Sie die örtlich verfügbaren Trenn- und Recyclingsysteme für Kunststoff. Wenn solche Systeme nicht vorhanden sind, kann die Verbrennung von Kunststoffabfall eine Alternative sein, da hierbei Energie frei wird, die für die Stromerzeugung genutzt werden kann.
Elektronik	Die elektronischen Komponenten müssen separat entsorgt und der entsprechenden Wiederverwertung zugeführt werden.

# Sommaire

Symboles utilisés dans ce manuel .....	69
Mesures de sécurité générales .....	71
Distances de sécurité .....	72
Usage prévu .....	73
Profil d'opérateur prévu .....	73
Profil d'utilisateur prévu .....	73
Environnement d'exploitation .....	73
Contre-indications liées à l'utilisation .....	74
Biocompatibilité .....	74
Inflammabilité .....	74
Mode d'emploi .....	75
Freins de sécurité .....	75
Supports latéraux .....	76
Réglage en hauteur .....	77
Déplacement .....	78
Accessoires .....	79
Matelas .....	79
Nettoyage .....	80
Entretien .....	81
Contrôle de maintenance .....	81
Compatibilité électromagnétique .....	82
Immunité / émission électromagnétique .....	82
Étiquette du produit .....	84
Stockage et transport .....	86
Dépannage .....	86
Réinitialisation .....	86
Mise au rebut et recyclage .....	87

# Symboles utilisés dans ce manuel

Les symboles qui suivent sont utilisés dans ce manuel ainsi que dans la documentation associée fournis avec le produit.



## AVERTISSEMENT

**AVERTISSEMENT** indique une situation potentiellement dangereuse susceptible d'entraîner la mort ou de graves blessures si elle n'est pas évitée.



## ATTENTION

**ATTENTION** indique une situation potentiellement dangereuse susceptible d'entraîner des blessures légères ou modérées si elle n'est pas évitée. Il peut également être utilisé pour alerter contre des pratiques dangereuses.

## IMPORTANT

**IMPORTANT** indique des informations importantes sur la manipulation et l'utilisation du produit.

## REMARQUE

**REMARQUE** est utilisé pour aborder des pratiques non associées à la sécurité personnelle.



Avertissement de risque de blessure  
de la tête



Avertissement de risque de blessure  
à la main



Avertissement de risque de blessure  
aux organes génitaux



Avertissement de risque de blessure  
aux pieds



Ne pas laisser un patient sans surveillance.



Produits compatibles



Pièces de rechange



Poids maximal de l'utilisateur



Numéro d'article / versions



Poids du produit



Données électriques

# Mesures de sécurité générales



## AVERTISSEMENT

- Il est nécessaire de lire et de comprendre le manuel dans son intégralité avant d'utiliser le produit. Conserver le manuel près de l'unité.
- Respecter les instructions de ce manuel pour éviter tout accident impliquant de graves blessures corporelles.
- Ne jamais utiliser ou manipuler ce produit d'une autre manière que celle spécifiée dans ce manuel, car cela risquerait de mettre en danger votre sécurité et d'endommager le produit.
- Veiller à ce que toute personne devant installer ou utiliser le produit et ses systèmes dispose des informations nécessaires et puisse accéder à ce manuel.



## ATTENTION

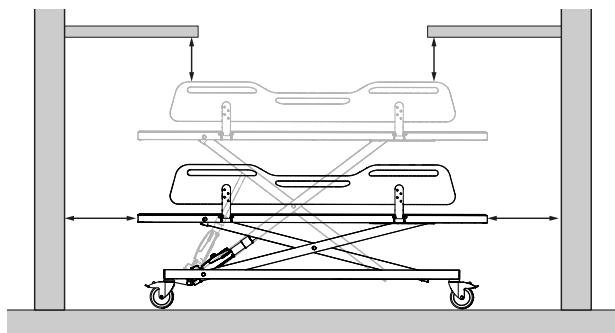
- Respecter ces instructions pour éviter d'endommager ou de détruire le produit.
- Ne pas procéder à des réparations, démontages, montages, extensions, réajustements ou modifications de ce produit. Ces opérations doivent être réalisées uniquement par Pressalit ou des personnes autorisées par Pressalit.
- Ne jamais permettre à des enfants d'utiliser ce produit, sauf sous surveillance. Le produit n'est pas destiné au jeu.
- Ne jamais utiliser le produit s'il est défectueux ou endommagé. Ne pas utiliser un produit défectueux avant de l'avoir fait réparer.




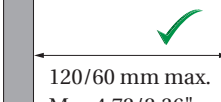
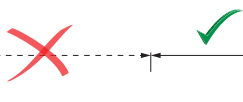

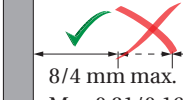





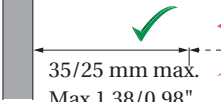

## REMARQUE

- Les informations contenues dans ce manuel reposent sur une installation correcte du produit selon la notice de montage.
- Pressalit ne saurait être tenu responsable en cas d'utilisation du produit autre que celle décrite dans le manuel.
- Nous nous réservons le droit de modifier ce manuel sans préavis.

# Distances de sécurité

Assurez-vous que l'unité se trouve à une distance suffisante des objets environnants. Vérifiez les distances avant toute utilisation.



ISO 17966:2016		 / 	
	 120/60 mm max. Max 4,72/2,36"	 300 mm min. Min 11,81"	
	 8/4 mm max. Max 0,31/0,16"	 25 mm min. Min 0,98"	
	 8 mm max. Max 0,31"	 75 mm min. Min 2,95"	
	 35/25 mm max. Max 1,38/0,98"	 120 mm min. Min 4,72"	

## AVERTISSEMENT

Si l'unité se déplace dans les limites des distances de sécurité, vous devez surveiller de très près les personnes et les objets environnants pour éviter tout risque d'écrasement.



## Usage prévu

Ce produit est conçu pour changer une personne qui n'est pas en mesure de tenir debout ou de s'asseoir. La personne est allongée horizontalement sur le chariot de change.

## Profil d'opérateur prévu

Seul le personnel formé aux soins de santé et/ou formé pour langer des personnes qui lui sont confiées doit utiliser ce produit.

## Profil d'utilisateur prévu

Le produit peut être utilisé par toute personne - adulte, enfant, adolescent, personne âgée - dont le poids ne dépasse pas la **charge maximale de 200 kg**.

## Environnement d'exploitation

Le chariot de change est prévu pour être utilisé à température ambiante dans les vestiaires publics, les écoles, les logements privés, les centres de jour/centres d'hébergement/maisons de retraite et hôpitaux, dans des conditions de fonctionnement normales. Le chariot de change peut être utilisé dans des locaux secs mais il ne peut pas être utilisé comme table de douche dans les douches. Si l'humidité relative est supérieure à 70 %, la durée de vie prévue de l'unité sera considérablement réduite. Le chariot de change ne doit pas être exposé à des fumées chlorées.

fr



## ATTENTION

La surface du produit peut être chaude ou froide si elle est exposée à des sources externes de chaleur ou de froid telles que le soleil ou le gel.

## REMARQUE

Tout incident grave survenu en lien avec le produit doit être signalé au fabricant et aux autorités sanitaires.

Un incident grave est défini comme un incident qui entraîne la mort d'un patient, de l'utilisateur ou de toute autre personne ou qui provoque une détérioration temporaire ou permanente de la santé de la personne. Tout incident qui a entraîné ou qui pourrait entraîner un incident grave doit être signalé.

## **Contre-indications liées à l'utilisation**

Si le produit est utilisé pour des patients dont la peau est endommagée, qui présentent des plaies ou d'autres états similaires, il est recommandé d'utiliser une serviette comme barrière de protection pour éviter que les plaies ouvertes n'entrent en contact direct avec le substrat.

## **Biocompatibilité**

La biocompatibilité des matériaux qui entrent en contact avec la peau de l'utilisateur lors de l'utilisation prévue a été évaluée conformément aux procédures présentées dans DS/EN ISO 10993-1:2020, incluant l'évaluation des matériaux pour identifier les substances nocives. Selon cette évaluation, les matériaux sont considérés adaptés à l'utilisation prévue.

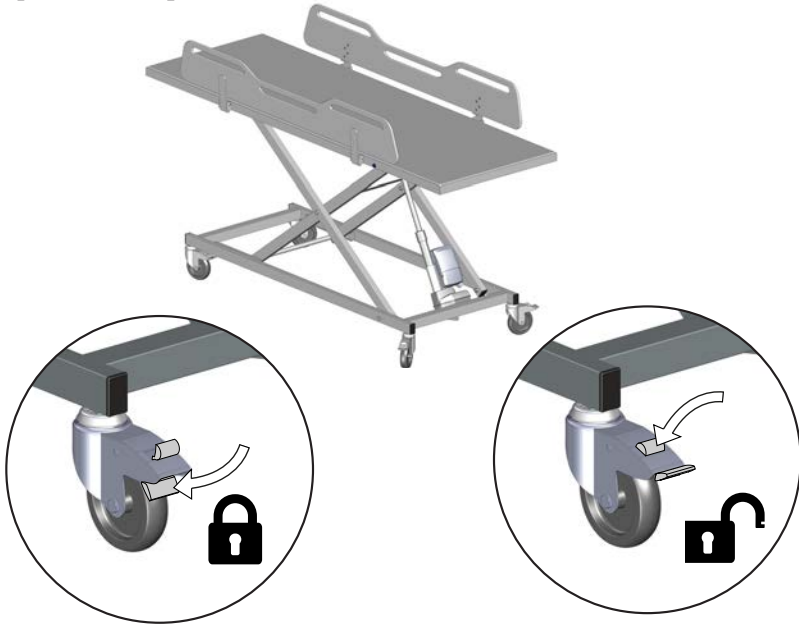
## **Inflammabilité**

Les matériaux du produit ont subi un test d'inflammabilité conformément à ISO 8191-1:1987 et ISO 8191-2:1988.

# Mode d'emploi

## Freins de sécurité

Le chariot de change est équipé de freins disposés sur les quatre roues pour éviter qu'il ne se déplace de manière accidentelle.



**Pour verrouiller les freins :**  
appuyez avec votre pied sur la pédale de verrouillage des quatre roues pour engager les freins.

**Pour déverrouiller les freins :**  
appuyez avec votre pied sur le bouton de verrouillage des quatre roues pour relâcher les freins.



**Utilisez toujours votre pied pour verrouiller ou déverrouiller les roues. Portez des chaussures fermées et n'utilisez jamais votre main pour verrouiller ou déverrouiller les roues.**



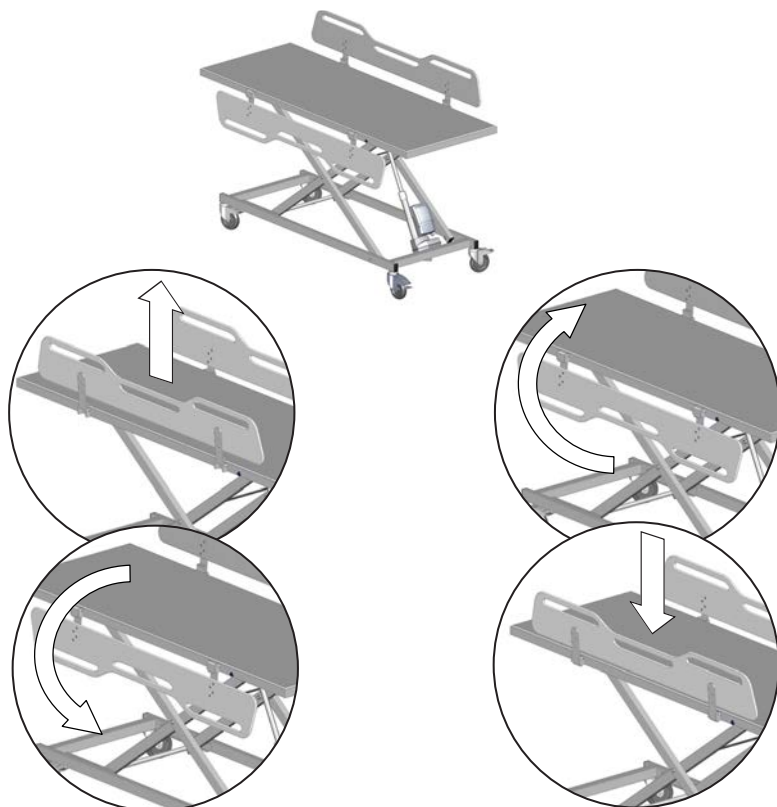
Assurez-vous toujours que les verrous des quatre roues sont bien verrouillés avant de transférer un patient depuis le chariot ou vers le chariot.



**Ne pas laisser un patient sans surveillance.**

## Supports latéraux

Les supports latéraux peuvent être repliés individuellement vers le haut et vers le bas pour faciliter le transfert du patient.



**Pour replier vers le bas :** soulevez le support latéral vers le haut pour le déverrouiller et faites-le pivoter vers le bas.

**Pour replier vers le haut :** faites pivoter le support latéral et poussez-le pour le bloquer.



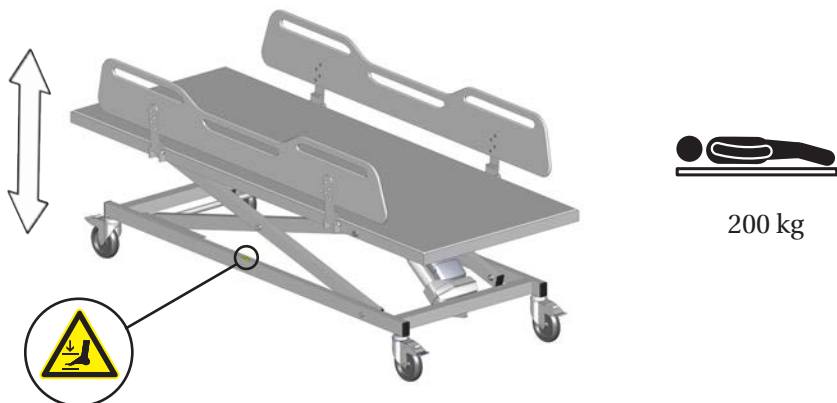
**Lors du verrouillage des supports latéraux, veillez à ne pas pincer la main du patient ou ses organes génitaux.**



**AVERTISSEMENT**



Gardez toujours tous les supports latéraux en position verticale et verrouillés en position lors de l'utilisation du chariot pour éviter que le patient ne tombe.

## Réglage en hauteur





Le chariot de change peut être monté ou abaissé de 500 mm. La hauteur maximale est de 950 mm. Le réglage de la hauteur s'effectue à l'aide de la télécommande filaire.



	Appuyez sur la flèche du haut et maintenez-la enfoncée pour lever l'unité. Le mouvement s'arrête dès que vous relâchez la touche.
	Appuyez sur la flèche du bas et maintenez-la enfoncée pour baisser l'unité. Le mouvement s'arrête dès que vous relâchez la touche.

fr

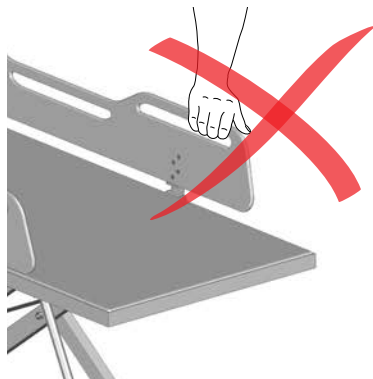
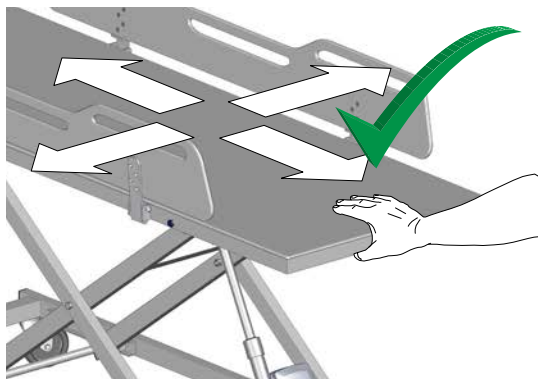
	<b>Ne posez pas votre pied sur le cadre porteur et soyez particulièrement vigilant lorsque vous ajustez la hauteur de l'unité afin d'éviter tout risque de pincement des pieds, des mains, des enfants ou d'autres objets.</b>
	<b>Veillez à ce que le câble de la télécommande ne s'enroule pas autour du cou du patient, cela entraînerait un risque de suffocation. La télécommande filaire doit être placée sur le support latéral lorsqu'elle n'est pas utilisée.</b>

## AVERTISSEMENT

Ne laissez jamais des enfants s'approcher de l'unité lorsque la hauteur est ajustée.

## Déplacement

Pour déplacer le chariot, déverrouillez les quatre roues comme décrit. Saisissez la surface de couchage et non les supports latéraux lorsque vous déplacez l'unité. Soyez prudent lorsque vous déplacez l'unité.



### **AVERTISSEMENT**

Assurez-vous que le câble d'alimentation n'est pas enroulé autour des pieds du patient ou positionné d'une manière pouvant entraîner la suffocation. Lorsque l'unité est utilisée, le câble d'alimentation doit être placé au sol, et lorsqu'elle n'est pas utilisée, celui-ci doit être placé sur le côté de l'unité.

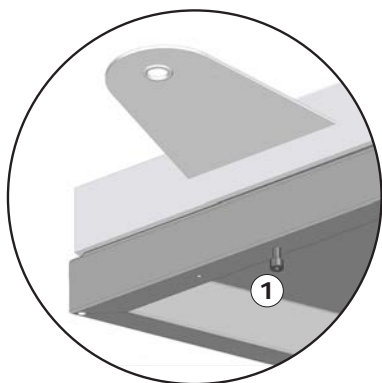
### **ATTENTION**

Faites attention au câble d'alimentation et assurez-vous de ne pas trébucher dessus lorsqu'il est au sol.  
Veuillez noter que même si le produit peut être déplacé, il est raccordé à une prise de courant à l'aide d'un câble d'alimentation. Il convient donc de prendre garde lorsque vous déplacez le produit de ne pas endommager l'installation électrique ou le produit.  
Avant de procéder au branchement, inspectez toujours le câble et la prise pour détecter d'éventuels signes d'endommagement. Si des dommages sont détectés, remplacez le câble pour éviter tout risque de choc électrique.

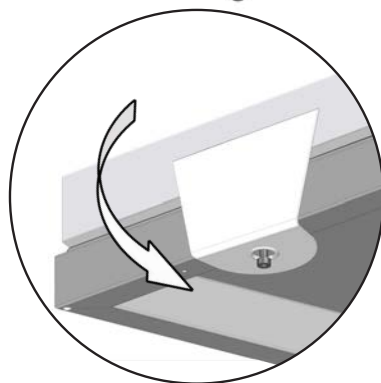
# Accessoires

## Matelas

Vous pouvez ajouter un matelas au chariot de change pour un confort accru. Le matelas est réversible et peut être utilisé des deux côtés.



Pour monter le matelas, desserrez la vis de verrouillage ① d'environ un centimètre.



Tirez les rabats vers le bas en les passant au-dessus de la vis. Procédez de même pour les quatre rabats.

Le produit doit être nettoyé à l'aide d'eau chaude ou d'un agent nettoyant légèrement savonneux. Vous trouverez une liste d'agents de nettoyage/désinfectants testés par Pressalit sur le site [pressalit.com](http://pressalit.com).

Une notice de montage est incluse avec le matelas et peut également être téléchargée sur [pressalit.com](http://pressalit.com).



## IMPORTANT

Pour respecter les règles en matière d'hygiène, il est recommandé de vérifier régulièrement si des dommages ou des signes d'usure sont présents sur le matelas. Si des dommages sont détectés, le matelas doit être remplacé immédiatement pour éviter tout risque de contamination ou d'infection.

## Nettoyage

Pour nettoyer le produit, utilisez un chiffon humide trempé dans un mélange légèrement savonneux, tel qu'une solution de nettoyage universelle. Après le nettoyage, il est indispensable d'essuyer le produit à l'aide d'un chiffon doux sec. Cette étape est cruciale pour éviter que les matériaux ne se décolorent. Cela permet également d'éviter toute dégradation potentielle de la peinture de surface. Vous trouverez une liste d'agents de nettoyage/désinfectants testés par Pressalit sur le site [pressalit.com](http://pressalit.com).

## ATTENTION

Toujours lire la notice fournie pour l'agent de nettoyage et respecter les instructions relatives à l'utilisation sécurisée, à la dilution, au rinçage, au séchage, à la manipulation et au stockage de l'agent de nettoyage.

## IMPORTANT

- Ne pas rincer ou asperger le produit directement avec de l'eau.
- Ne pas utiliser d'autoclave ou tout autre type de nettoyeur à vapeur.
- Éviter les agents de nettoyage agressifs contenant de l'acide ou de la base.
- Éviter l'utilisation d'agents de nettoyage abrasifs, caustiques ou à base de chlore.

## ATTENTION

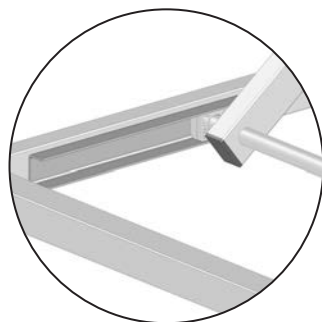
Ne procédez à aucun type de nettoyage ou de désinfection du chariot de change lorsque le patient est allongé dessus.



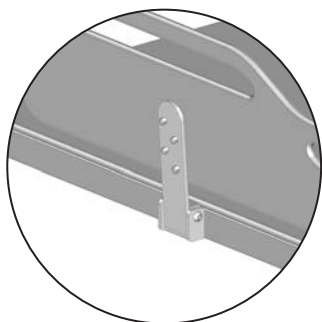
# Entretien

Il est recommandé d'effectuer un contrôle de maintenance une fois par an.

## Contrôle de maintenance



Lubrifiez les glissières de guidage au moins une fois tous les six mois. Utilisez une graisse de qualité alimentaire.



Vérifiez si les écrous, vis et charnières se sont desserrés. Serrez-les le cas échéant.



Vérifiez la présence de corrosion au niveau des roues. Remplacez-les si nécessaire.

# Compatibilité électromagnétique



## AVERTISSEMENT

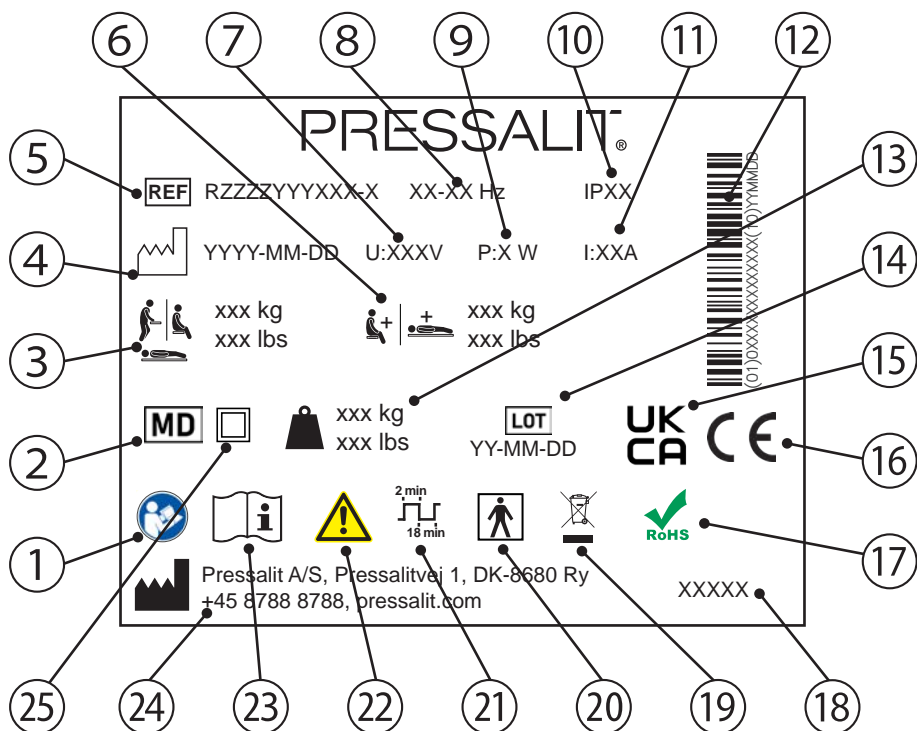
- L'usage d'accessoires, de transducteurs et de câbles autres que ceux spécifiés ou fournis par le fabricant risquent de provoquer une augmentation des émissions électromagnétiques ou une réduction de l'immunité électromagnétique de cet équipement et d'entraîner un fonctionnement inapproprié.
- Les équipements de communication à radiofréquence portables (y compris les périphériques comme les câbles d'antenne et antennes externes) ne doivent pas être utilisés à une distance de moins de 30 cm de toute pièce de l'unité, câbles compris, afin d'éviter tout risque de dégradation des performances de cette unité.
- Il convient d'éviter toute utilisation de cet équipement conjointement ou superposée avec d'autres équipements pouvant provoquer un fonctionnement inadéquat. Si une telle utilisation est inévitable, cet équipement et les équipements utilisés conjointement doivent être inspectés pour vérifier leur fonctionnement normal.

## Immunité / émission électromagnétique

<b>Décharge électrostatique</b>	
Norme de test	Niveau d'essai d'immunité
EN 61000-4-2	+/- 8 kV contact, +/- 2, 4, 8, 15 kV air
<b>Champ électromagnétique de radiofréquences par rayonnement</b>	
Norme de test	Niveau d'essai d'immunité
EN 61000-4-3	15 V/m 80 MHz à 1 GHz, 15 V/m 1,01 GHz à 6 GHz 80 % AM 1 kHz
<b>Transitoire électrique rapide / rafale</b>	
Norme de test	Niveau d'essai d'immunité
EN 61000-4-4	+/- 1 kV, +/- 2 kV, Fréquence de répétition 100 kHz
<b>Immunité aux surtensions</b>	
Norme de test	Niveau d'essai d'immunité
EN 61000-4-5	Phase-phase : +/- 0,5 kV, +/- 1 kV Phase-terre : +/- 0,5 kV +/- 1 kV, +/- 2 kV
<b>Immunité aux perturbations transmises par conduction et induites par des champs de radiofréquences</b>	
Norme de test	Niveau d'essai d'immunité
EN 61000-4-6	3 V (6 V pour les bandes ISM et bandes radio amateur) 0,15 à 80 MHz, 80 % AM à 1 kHz

<b>Immunité aux champs de proximité des équipements de communication sans fil RF</b>	
Norme de test	Niveau d'essai d'immunité
EN 61000-4-3:	
385 MHz, 27 V/m, 18 Hz PM (onde carrée à un cycle de marche de 50 %)	
450 MHz, 28 V/m, déviation FM +/- 5 kHz, onde sine 1 kHz	
710 MHz, 9 V/m, 217 Hz PM (onde carrée à un cycle de marche de 50 %)	
745 MHz, 9 V/m, 217 Hz PM (onde carrée à un cycle de marche de 50 %)	
780 MHz, 9 V/m, 217 Hz PM (onde carrée à un cycle de marche de 50 %)	
810 MHz, 28 V/m, 18 Hz PM (onde carrée à un cycle de marche de 50 %)	
870 MHz, 28 V/m, 18 Hz PM (onde carrée à un cycle de marche de 50 %)	
930 MHz, 28 V/m, 18 Hz PM (onde carrée à un cycle de marche de 50 %)	
1720 MHz, 28 V/m, 217 Hz PM (onde carrée à un cycle de marche de 50 %)	
1845 MHz, 28 V/m, 217 Hz PM (onde carrée à un cycle de marche de 50 %)	
1970 MHz, 28 V/m, 217 Hz PM (onde carrée à un cycle de marche de 50 %)	
2450 MHz, 28 V/m, 217 Hz PM (onde carrée à un cycle de marche de 50 %)	
5240 MHz, 9 V/m, 217 Hz PM (onde carrée à un cycle de marche de 50 %)	
5500 MHz, 9 V/m, 217 Hz PM (onde carrée à un cycle de marche de 50 %)	
5785 MHz, 9 V/m, 217 Hz PM (onde carrée à un cycle de marche de 50 %)	
<b>Creux de tension</b>	
Norme de test	Niveau d'essai d'immunité
EN 61000-4-11	0 % U <sub>T</sub> ; 0,5 cycle à 0°, 45°, 90°, 135°, 180°, 225°, 270° et 315°, 0 % U <sub>T</sub> ; 1 cycle à 0°, 70 % U <sub>T</sub> ; 25 cycles à 0° Monophasé à 0°
<b>Coups de tension</b>	
Norme de test	Niveau d'essai d'immunité
EN 61000-4-11	0 % U <sub>T</sub> ; 300 cycles
<b>Émission de radiofréquences conduites / par rayonnement</b>	
Norme de test	Groupe et classe de test d'émission
EN 55011	Classe B, groupe 1
<b>Émissions de courant harmonique</b>	
Norme de test	Groupe et classe de test d'émission
CEI 61000-3-2	Classe A
<b>Variations et fluctuations de tension et pulsations</b>	
Norme de test	Groupe et classe de test d'émission
EN 61000-3-3	Testé conformément à la norme.

# Étiquette du produit



- ① Consulter le manuel d'utilisation

---

- ② Dispositif médical

---

- ③ Poids maximal de l'utilisateur

---

- ④ Date de fabrication

---

- ⑤ Numéro d'article

---

- ⑥ Charge maximale

---

- ⑦ Tension de secteur

---

- ⑧ Fréquence

---

- ⑨ Consommation électrique maximum

⑩	Classe IP
⑪	Courant électrique
⑫	Code-barres GS1-128
⑬	Poids du produit
⑭	Code du lot
⑮	Conformité R.-U. évaluée
	<p>Ces produits portent la marque CE conformément aux exigences pertinentes de :</p> <ul style="list-style-type: none"> <li>• Règlement (UE) 2017/745 (du 5 avril 2017) relatif aux dispositifs médicaux.</li> </ul>
⑯	<ul style="list-style-type: none"> <li>• La directive 2006/42/CE du Conseil (du 17 mai 2006) sur les machines.</li> <li>• La directive 2011/65/UE du Conseil (du 8 juin 2011) dite RoHS.</li> </ul>
	<p><u>Une déclaration de conformité est disponible sur <a href="http://pressalit.com">pressalit.com</a></u></p>
⑰	Ce produit ne contient aucune des substances dangereuses mentionnées dans la Directive RoHS 2011/65/CE du Conseil.
⑱	Nom de produit (le cas échéant)
⑲	Ne pas le mettre au rebut sous forme de déchets municipaux non triés. Le produit doit être collecté séparément des autres déchets et renvoyé au service de recyclage désigné.
⑳	Pièce appliquée de type BF. Pièce du produit qui, dans des conditions normales d'utilisation, est obligatoirement en contact avec le patient pour remplir sa fonction. Le produit est conforme aux exigences de protection contre les chocs électriques de la norme CEI 60601-1.
㉑	Cycle de service
㉒	Consulter le manuel pour les mises en garde importantes telles que les avertissements et les précautions
㉓	Consulter le manuel d'utilisation
㉔	Nom et adresse du fabricant
㉕	Appareil électrique à double isolation

# Stockage et transport

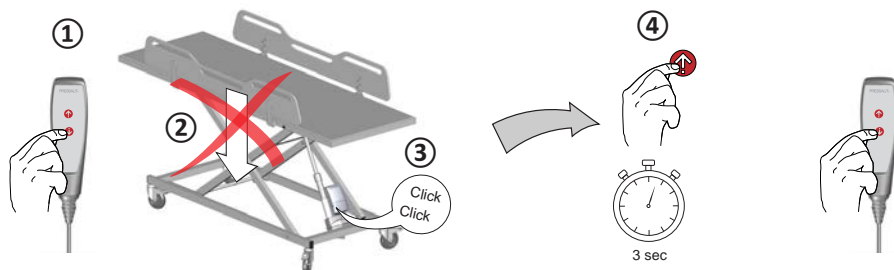
- La température de stockage et de transport de l'unité doit être comprise entre -10 et 50 degrés Celsius. Maintenez un taux d'humidité inférieur à 70 %.
- L'unité doit toujours être transportée dans son emballage d'origine.
- Évitez de soumettre l'emballage à des chocs et des impacts.
- N'utilisez pas le produit si l'emballage est détérioré ou endommagé.

## Dépannage

Problème	Cause	Mesure
Pas d'électricité.	La fiche d'alimentation a été débranchée.	Rebranchez la fiche d'alimentation dans la prise.
Il est difficile de déplacer le chariot vers le haut et/ou vers le bas, et le mécanisme de levage émet un cliquetis.	L'unité de levage n'est pas suffisamment lubrifiée.	Lubrifiez l'unité de levage. Reportez-vous à la section <b>Maintenance</b> .
	L'unité de levage est peut-être bloquée.	Reportez-vous à la section <b>Réinitialisation</b> .

Contactez Pressalit A/S ou votre représentant local si vous ne parvenez pas à résoudre le problème. N'essayez pas de réparer vous-même le produit car cela annulerait la garantie. La durée de vie prévue du chariot de change est de 10 ans.



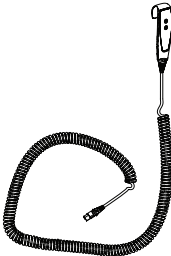



## Réinitialisation



Si l'unité est bloquée et que vous n'arrivez pas à la faire descendre, appuyez sur la touche de flèche vers le haut pendant 3 secondes puis sur la touche de flèche vers le bas.



Contactez Pressalit pour obtenir une liste complète des pièces de rechange.

		Câble d'alimentation	Télécommande
	UE/Monde	LB0696	 T4361
	R.-U./IRL	V6336	
	AUS/NZ	T4285	
	É.-U./CAN	LB0688	

## Mise au rebut et recyclage

L'unité contient des matériaux réutilisables. Il n'y a aucun risque connu associé à la mise au rebut du produit. Tous les composants peuvent être mis au rebut après avoir été nettoyés et désinfectés. Lors de la mise au rebut du produit, nous recommandons de le démonter et de le décomposer en différents groupes de déchets en vue de leur recyclage ou incinération. Le tableau suivant fournit des informations sur le recyclage et la manipulation du produit.

Composants recyclables	Matériau
Acier	L'acier peut être recyclé en étant fondu et inclus en tant que matériau secondaire dans la production d'acier nouveau.
Plastique	Utilisez les systèmes locaux de tri et de recyclage du plastique. Si de tels systèmes ne sont pas disponibles, l'incinération des déchets plastiques peut constituer une alternative, car elle peut générer de l'énergie qui peut être utilisée pour la production d'électricité.
Composants électroniques	Les composants électroniques doivent être collectés séparément des autres déchets et renvoyés au service de recyclage désigné.

# Inhoud

Symbolen die in deze handleiding .....	89
Algemene veiligheid .....	91
Veiligheidsafstand .....	92
Beoogd gebruik .....	93
Profiel van beoogde bediener .....	93
Profiel van beoogde gebruiker .....	93
Gebruiksomgeving .....	93
Contra-indicaties voor gebruik .....	94
Biocompatibiliteit .....	94
Brandbaarheid .....	94
Gebruiksaanwijzing .....	95
Veiligheidsremmen .....	95
Zijsteunen .....	96
Hoogteafstelling .....	97
Verplaatsen .....	98
Accessoires .....	99
Matras .....	99
Reinigen .....	100
Onderhoud .....	101
Onderhoudsinspectie .....	101
Elektromagnetische compatibiliteit .....	102
Elektromagnetische immuniteit / emissie .....	102
Productlabel .....	104
Opslag en transport .....	106
Probleemoplossing .....	106
Resetten .....	106
Afvoer en recycling .....	107



# Symbolen in deze handleiding

De volgende symbolen worden gebruikt in deze handleiding en de bijbehorende documentatie die met het product is meegeleverd.

## **WAARSCHUWING**

**WAARSCHUWING** geeft een mogelijk gevaarlijke situatie aan die, indien niet vermeden, kan leiden tot overlijden of ernstig letsel.

## **LET OP**

**LET OP** geeft een mogelijk gevaarlijke situatie aan die, indien niet vermeden, kan leiden tot licht of matig letsel. 'Let op' kan ook worden gebruikt om de gebruiker te waarschuwen voor onveilige praktijken.

## **BELANGRIJK**

**BELANGRIJK** geeft belangrijke informatie aan over het hanteren en gebruiken van het product.

## **OPMERKING**

**OPMERKING** wordt gebruikt om praktijken aan te duiden die geen betrekking hebben op de persoonlijke veiligheid.



Waarschuwing voor hoofdletsel



Waarschuwing voor handletsel



Waarschuwing voor letsel aan  
genitaliën



Waarschuwing voor letsel aan  
voeten



Laat de patiënt nooit zonder toezicht achter.



Compatibele producten



Reserve-onderdelen



Max. gewicht gebruiker



Artikelnummer/-uitvoeringen



Gewicht van product



Elektrische gegevens

# Algemene veiligheid



## WAARSCHUWING

- Lees de handleiding vóór gebruik volledig door en zorg dat u deze begrijpt. Houd de handleiding in de buurt van de eenheid.
- Houd u aan deze handleiding om ongelukken met ernstig persoonlijk letsel te voorkomen.
- Gebruik of hanteer dit product nooit op een andere manier dan in deze handleiding staat beschreven, omdat dit uw veiligheid in gevaar kan brengen en schade aan het product kan veroorzaken.
- Zorg ervoor dat iedereen die het product en de bijbehorende systemen gaat plaatsen of gebruiken, is voorzien van de benodigde informatie en toegang heeft tot deze handleiding.



## LET OP

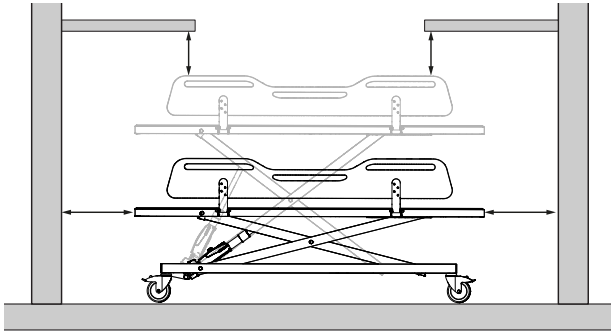
- Volg deze instructies op om te voorkomen dat het product wordt beschadigd of vernietigd.
- Voer geen reparaties, (de)montagewerkzaamheden, uitbreidingen, afstellingen of aanpassingen uit met betrekking tot dit product. Deze werkzaamheden mogen uitsluitend worden uitgevoerd door Pressalit of door personen die door Pressalit zijn gemachtigd.
- Kinderen mogen nooit zonder toezicht dit product bedienen. Dit product is geen speelgoed.
- Gebruik dit product nooit als het defect of beschadigd is. Gebruik het product niet voordat het is gerepareerd.




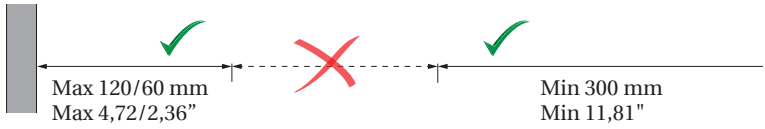





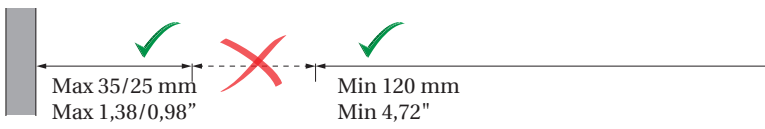
## OPMERKING

- De informatie in deze handleiding is gebaseerd op een juiste passing van het product conform onze montage-instructies.
- Pressalit is niet aansprakelijk wanneer het product wordt gebruikt op een manier die afwijkt van de in de gids beschreven manier.
- We behouden ons het recht voor deze handleiding aan te passen zonder voorafgaande kennisgeving.

# Veiligheidsafstand

Zorg voor voldoende afstand tussen het apparaat en omringende voorwerpen. Controleer vóór gebruik de afstanden.



ISO 17966:2016		 / 	
		Max 120/60 mm Max 4,72/2,36"	Min 300 mm Min 11,81"
		Max 8/4 mm Max 0,31/0,16"	Min 25 mm Min 0,98"
		Max 8 mm Max 0,31"	Min 75 mm Min 2,95"
		Max 35/25 mm Max 1,38/0,98"	Min 120 mm Min 4,72"

## **WAARSCHUWING**

Als het apparaat zich binnen de veiligheidsafstanden beweegt, moet u bijzonder goed op de omringende personen en voorwerpen letten om beknellingsgevaar te voorkomen.

# Beoogd gebruik

Dit product is bedoeld voor het aankleden van een persoon die niet zelf kan staan of zitten. De persoon ligt horizontaal op de aankleedtafel.

## Profiel van beoogde bediener

Alleen personeel dat is getraind in de gezondheidszorg en/of in het aankleden van iemand voor wie hij of zij zorg draagt, mag dit product gebruiken.

## Profiel van beoogde gebruiker

Het product kan door iedereen – volwassenen, kinderen, jongeren, ouderen – met een **maximaal lichaamsgewicht van 200 kg** worden gebruikt.

## Gebruiksomgeving

De aankleedtafel is bedoeld om bij kamertemperatuur te worden gebruikt in openbare omkleedruimtes, scholen, woningen, woonvoorzieningen, verpleeghuizen en ziekenhuizen onder normale bedrijfsomstandigheden. De aankleedtafel kan alleen worden gebruikt in droge ruimten en niet als douchebrancard in douches. Als de relatieve luchtvochtigheid hoger dan 70% is, wordt de levensduur van het apparaat aanzienlijk verminderd. De aankleedtafel mag niet worden blootgesteld aan dampen die chloor bevatten.



Het oppervlak van het product kan heet of koud worden als het wordt blootgesteld aan externe warmte- of koudebronnen zoals zonlicht of vorst.

## OPMERKING

Ieder serieus incident dat heeft plaats gevonden in relatie tot het product dient te worden gemeld aan de fabrikant en de gezondheidskundige autoriteiten.

Een serieus incident is een incident dat leidt tot overlijden van een patiënt, gebruiker of elk ander persoon, of dat leidt tot een tijdelijke of permanente aantasting aan de gezondheid van de betreffende persoon. Elk incident dat heeft geresulteerd in of zou kunnen resulteren in een serieus incident moet worden gemeld.

## **Contra-indicaties voor gebruik**

Als het product wordt gebruikt voor patiënten met huidbeschadiging, wonden of vergelijkbare condities, wordt aanbevolen om een handdoek te gebruiken als barrière om te voorkomen dat open wonden in direct contact komen met het substraat.

## **Biocompatibiliteit**

De biocompatibiliteit van de materialen die in contact komen met de huid van de gebruiker gedurende het beoogde gebruik is geëvalueerd zoals omschreven in de procedures van DS/EN ISO 10993-1:2020, waarbij de materialen worden beoordeeld op schadelijke stoffen. Gebaseerd op deze evaluatie zijn de materialen geschikt voor hun beoogde gebruik.

## **Brandbaarheid**

De productmaterialen zijn getest op brandbaarheid in overeenkomst met ISO 8191-1:1987 en ISO 8191-2:1988.

# Gebruiksaanwijzingen

## Veiligheidsremmen

De aankleedtafel heeft remmen op alle vier de wielen om te voorkomen dat hij per ongeluk wordt verplaatst.



**De remmen vergrendelen:** Druk het blokkeringspedaal van alle wielen in om de remmen te vergrendelen.

**De remmen ontgrendelen:** Druk het ontgrendelpedaal van alle wielen in om de remmen te ontgrendelen.



**Gebruik altijd uw voet om de wielen te vergrendelen of ontgrendelen. Draag dichte schoenen en gebruik nooit uw handen om de wielen te vergrendelen of ontgrendelen.**

**WAARSCHU-  
WING**

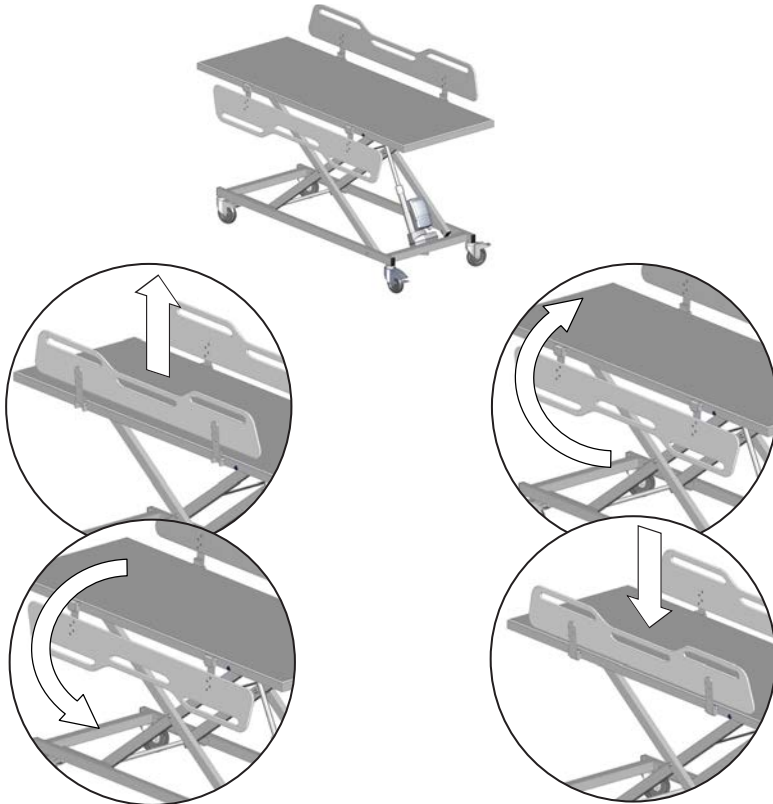
Zorg er altijd voor dat de remmen op alle vier de wielen veilig vergrendeld zijn voordat u een patiënt op de aankleedtafel legt of ervan afhaalt.



**Laat de patiënt nooit zonder toezicht achter.**

## Zijsteunen

De zijsteunen kunnen afzonderlijk omhoog en omlaag geklapt worden zodat de patiënt eenvoudig vervoerd kan worden.



**Neerklappen:** Til de zijsteun naar boven om hem te ontgrendelen en zwaai hem naar beneden.

**Omhoogklappen:** Zwaai de zijsteun omhoog en duw hem naar beneden om hem vast te zetten.



**Let er bij het vergrendelen van de zijsteunen op dat u niet per ongeluk de hand of genitaliën van de patiënt beknelt.**



**WAARSCHUWING**

Laat de zijsteunen altijd omhoog en vergrendeld wanneer de aankleedtafel in gebruik is om te voorkomen dat de patiënt eraf valt.



## Hoogteafstelling



200 kg

De aankleedtafel kan 500 mm omhoog of omlaag worden versteld. De maximale hoogte is 950 mm. De hoogteafstelling kan worden geregeld met de bedrade afstandsbedieningseenheid.



	<p>Druk op de knop Omhoog en houd deze ingedrukt om de tafel omhoog te brengen. De tafel stopt met bewegen wanneer u de knop loslaat.</p>
	<p>Druk op de knop Omlaag en houd deze ingedrukt om de tafel naar beneden te brengen. De tafel stopt met bewegen wanneer u de knop loslaat.</p>

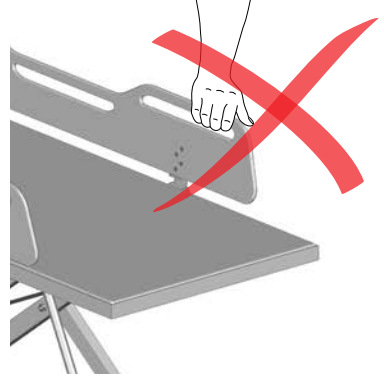
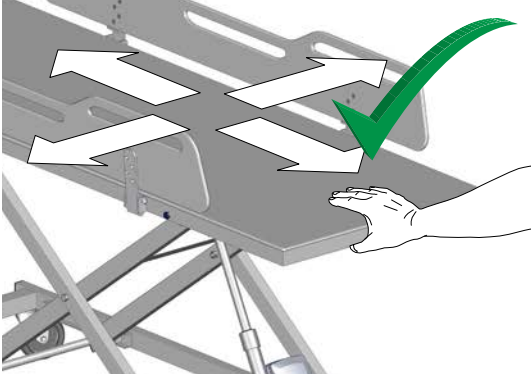
	<p><b>Zet uw voet niet op het stalen frame en let extra op voor het risico op beknelling voor voeten, handen, kinderen of andere objecten wanneer u het apparaat in hoogte verstelt.</b></p>
	<p><b>Let erop dat het koord van de handbediening niet om de nek van de patiënt zit en daardoor stikgevaar veroorzaakt. Het koord van de handbediening moet aan de zijsteun geplaatst worden als deze niet in gebruik is.</b></p>

 **WAARSCHUWING**

Laat kinderen nooit in de buurt van het apparaat als de hoogte wordt versteld.

## Verplaatsen

Ontgrendel alle vier de wielen zoals beschreven om de aankleedtafel te verplaatsen. Houd het ligoppervlak vast, niet de zijsteunen, wanneer u het apparaat verplaatst. Wees voorzichtig wanneer u het apparaat verplaatst.



### **WAARSCHUWING**

Zorg ervoor dat het snoer niet om de voeten van de patiënt is gewikkeld of zo is gepositioneerd dat het tot verstikking zou kunnen leiden. Als het apparaat in gebruik is, moet het snoer op de grond liggen, en wanneer het niet in gebruik is, moet het aan de zijkant van het apparaat geplaatst worden.

### **LET OP**

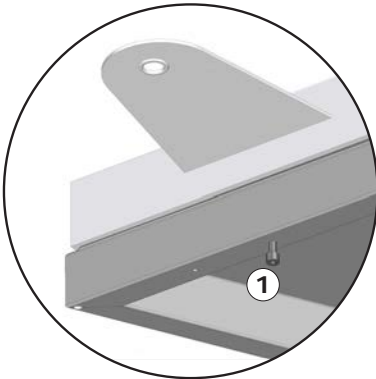
Let op het snoer en struikel er niet over als het op de grond ligt. Opmerking: hoewel het product verplaatst kan worden, is het wel verbonden aan een stopcontact met een snoer. Dus wees voorzichtig met het verplaatsen van het product om geen schade te veroorzaken aan de elektrische installatie of aan het product.

Voordat u de stekker in het stopcontact steekt, controleert u eerst zowel het snoer als de stekker op beschadigingen. Als u beschadigingen aantreft, vervangt u het snoer om elektrische schokken te voorkomen.

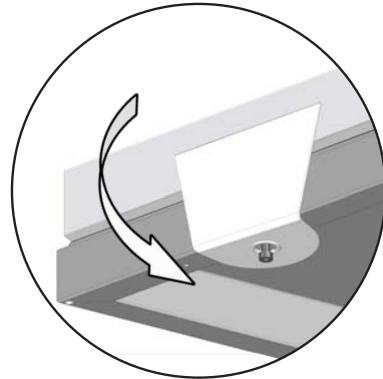
# Accessoires

## Matras

U kunt een matras op de aankleedtafel leggen voor meer comfort. Het matras is omkeerbaar en kan aan beide kanten gebruikt worden.



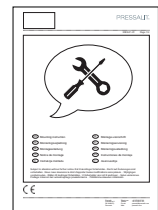
Schroef de borgschroef ① ongeveer een centimeter los om het matras vast te zetten.



Trek de matrasflap naar beneden over de schroef. Doe hetzelfde met alle vier de flappen.

Het product dient met warm water of een mild reinigingsmiddel te worden gereinigd. Een lijst met geschikte reinigingsmiddelen/desinfectiemiddelen die zijn getest door Pressalit vindt u op [pressaliticare.com](http://pressaliticare.com).

Een montagehandleiding wordt bij het matras meegeleverd en kan ook worden gedownload op [pressalit.com](http://pressalit.com).



## BELANGRIJK

Met het oog op de hygiëne wordt het aanbevolen om regelmatig te controleren op zichtbare schade of tekenen van slijtage op het matras. Als er schade wordt aangetroffen, moet het matras onmiddellijk vervangen worden om risico op besmetting of infectie te voorkomen.

## Reinigen

Gebruik een vochtige, uitgewrongen doek en een mild zeepsop, zoals universele reinigungsoplossing, om het product te reinigen. Na het reinigen is het essentieel om het product droog te vegen met een droge, zachte doek. Deze stap is cruciaal om te voorkomen dat de materialen verkleuren. Daarnaast helpt het tegen slijtage van de verf op het oppervlak. Een lijst met geschikte reinigungsmiddelen/desinfectiemiddelen die zijn getest door Pressalit vindt u op [pressalit.com](http://pressalit.com).

## LET OP

Lees altijd de geleverde instructies voor het reinigungsmiddel en volg alle instructies voor veilig gebruik, verdunnen, spoelen, drogen, hanteren en opslag van het middel op.

## BELANGRIJK

- Spoel het product niet af en spuit geen water direct op het product.
- Gebruik geen autoclaaf of een andere stoomreiniger.
- Vermijd het gebruik van agressieve reinigungsmiddelen die zuur of base bevatten.
- Vermijd het gebruik van schurende of bijtende reinigungsmiddelen of reinigungsmiddelen op basis van chloor

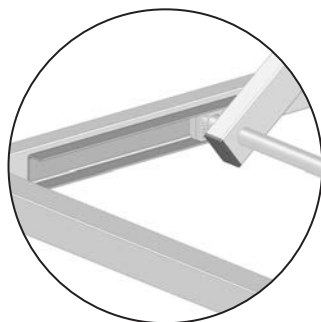
## LET OP

Voer geen enkele vorm van reiniging of desinfectie van de aankleedtafel uit terwijl de patiënt erop ligt.

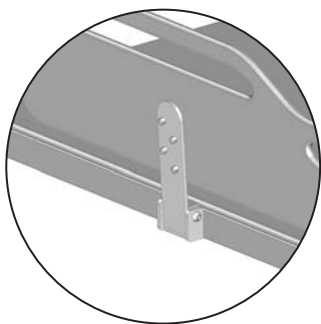
# Onderhoud

Het wordt aanbevolen eenmaal per jaar een onderhoudsinspectie uit te voeren.

## Onderhoudsinspectie



Smeer de schuifrails ten minste elke zes maanden. Gebruik voedselveilig smeervet.



Controleer of alle moeren, schroeven en scharnieren nog goed vastzitten. Zet deze zo nodig vast.



Controleer de wielen op roest. Vervang ze indien nodig.

# Elektromagnetische compatibiliteit

## **WAARSCHUWING**

- Het gebruik van andere accessoires, omzeters en kabels dan die welke door de fabrikant zijn gespecificeerd of geleverd, kan resulteren in verhoogde elektromagnetische emissies of verminderde elektromagnetische immuniteit van deze apparatuur en een onjuiste werking tot gevolg hebben.
- Draagbare RF-communicatieapparatuur (met inbegrip van randapparatuur zoals antennekabels en externe antennes) mag niet dichterbij dan 30 cm (12 inches) bij enig deel van het apparaat met inbegrip van de kabels, worden gebruikt om verslechtering van de prestaties van dit apparaat te voorkomen.
- Het gebruik van deze apparatuur naast of gestapeld op andere apparatuur dient te worden vermeden omdat dit kan leiden tot een onjuiste werking. Indien gebruik op deze wijze noodzakelijk is, moeten deze apparatuur en de andere apparatuur worden gecontroleerd om na te gaan of deze normaal functioneren.

## Elektromagnetische immuniteit / emissie

<b>Elektrostatische ontlading</b>	
Testnorm	Testniveau immuniteit
EN 61000-4-2	+/- 8 kV contact, +/- 2, 4, 8, 15 kV lucht
<b>Uitgestraald radio-elektromagnetisch veld</b>	
Testnorm	Testniveau immuniteit
EN 61000-4-3	15 V/m 80 MHz tot 1 GHz, 15 V/m 1,01 GHz tot 6 GHz 80 % AM 1 kHz
<b>Snelle elektrische transiënten/lawine</b>	
Testnorm	Testniveau immuniteit
EN 61000-4-4	+/- 1 kV, +/- 2 kV, 100 kHz herhalingsfrequentie
<b>Overspanningsimmuniteit</b>	
Testnorm	Testniveau immuniteit
EN 61000-4-5	Kabel-naar-kabel: +/- 0,5 kV, +/- 1 kV Kabel-naar-grond: +/- 0,5 kV, +/- 1 kV, +/- 2 kV
<b>Immuniteit voor geleide storingen veroorzaakt door RF-velden</b>	
Testnorm	Testniveau immuniteit
EN 61000-4-6	3 V (6 V in ISM-banden en amateurradiobanden) 0,15 tot 80 MHz, 80 % AM op 1 kHz

**Immuniteit voor nabijheidsvelden van draadloze RF-communicatieapparatuur**

Testnorm	Testniveau immuniteit
EN 61000-4-3	385 MHz, 27 V/m, 18 Hz PM (50 % levenscyclus blok golf) 450 MHz, 28 V/m, FM +/- 5 kHz deviatie, 1 kHz sine 710 MHz, 9 V/m, 217 Hz PM (50 % levenscyclus blok golf) 745 MHz, 9 V/m, 217 Hz PM (50 % levenscyclus blok golf) 780 MHz, 9 V/m, 217 Hz PM (50 % levenscyclus blok golf) 810 MHz, 28 V/m, 18 Hz PM (50 % levenscyclus blok golf) 870 MHz, 28 V/m, 18 Hz PM (50 % levenscyclus blok golf) 930 MHz, 28 V/m, 18 Hz PM (50 % levenscyclus blok golf) 1720 MHz, 28 V/m, 217 Hz PM (50 % levenscyclus blok golf) 1845 MHz, 28 V/m, 217 Hz PM (50 % levenscyclus blok golf) 1970 MHz, 28 V/m, 217 Hz PM (50 % levenscyclus blok golf) 2450 MHz, 28 V/m, 217 Hz PM (50 % levenscyclus blok golf) 5240 MHz, 9 V/m, 217 Hz PM (50 % levenscyclus blok golf) 5500 MHz, 9 V/m, 217 Hz PM (50 % levenscyclus blok golf) 5785 MHz, 9 V/m, 217 Hz PM (50 % levenscyclus blok golf)

**Spanningsdalingen**

Testnorm	Testniveau immuniteit
EN 61000-4-11	0 % U <sub>T</sub> ; 0,5 cyclus op 0°, 45°, 90°, 135°, 180°, 225°, 270° en 315°, 0 % U <sub>T</sub> ; 1 cyclus op 0°, 70 % U <sub>T</sub> ; 25 cycli op 0° Enkelfasig op 0°

**Spanningsonderbrekingen**

Testnorm	Testniveau immuniteit
EN 61000-4-11	0 % U <sub>T</sub> ; 300 cyclus

**Geleide / Uitgestraalde RF-emissie**

Testnorm	Emissietestklasse en -groep
EN 55011	Klasse B, groep 1

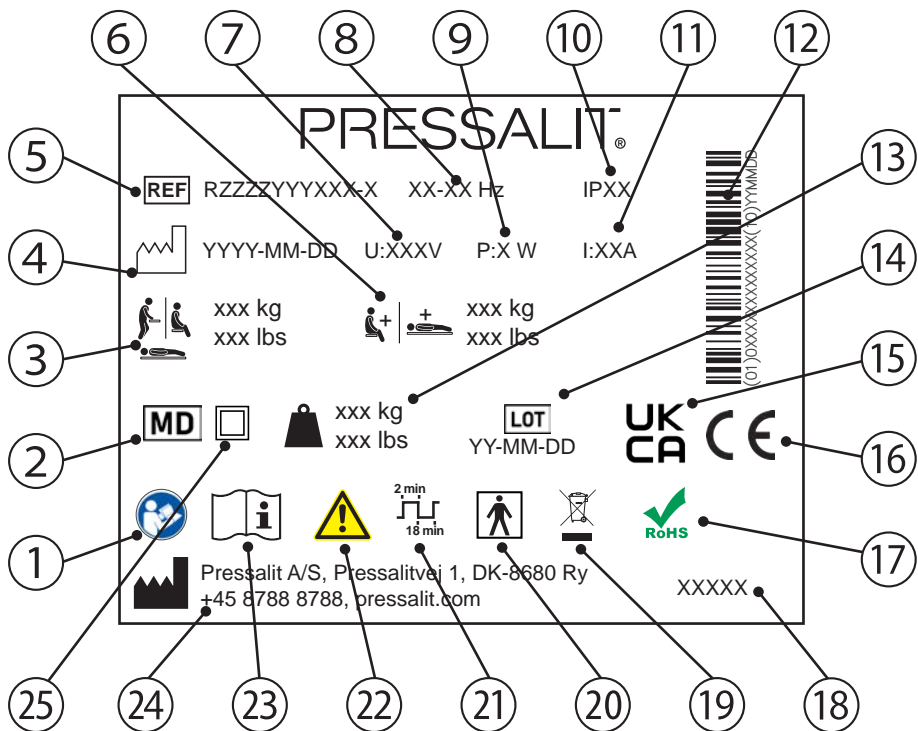
**Geharmoniseerde stroom-missies**

Testnorm	Emissietestklasse en -groep
IEC 61000-3-2	Klasse A

**Spanningswisselingen, spanningsschommelingen en flikkering**

Testnorm	Emissietestklasse en -groep
EN 61000-3-3	Getest volgens de norm.

# Productlabel



1 Raadpleeg de gebruikshandleiding

2 Medisch hulpmiddel

3 Maximaal gewicht van gebruiker

4 Fabricagedatum

5 Artikelnummer

6 Max. belastbaarheid

7 Netspanning

8 Frequentie

9 Maximaal stroomverbruik



⑩ IP-klasse

---

⑪ Elektrische stroom

---

⑫ GS1-128-barcode

---

⑬ Gewicht van product

---

⑭ Batchcode

---

⑮ VK Conformiteitsbeoordeling

---

Deze producten dragen de CE-markering in overeenstemming met de relevante vereisten in:

- Verordening (EU) 2017/745 (van 5 april 2017) betreffende medische hulpmiddelen.
- ⑯ Richtlijn 2006/42/EG van de Raad (van 17 mei 2006) betreffende machines.
- Richtlijn 2011/65/EG van de Raad (van 8 juni 2011) betreffende RoHS.

De conformiteitsverklaring kan worden gevonden op [pressalit.com](http://pressalit.com)

⑰ Dit product bevat geen van de gevaarlijke stoffen die worden vermeld in Europese richtlijn 2011/65/EG betreffende RoHS.

---

⑱ Productnaam (indien aanwezig)

---

⑲ Niet afvoeren met het ongesorteerd huishoudelijk afval. Het product moet afzonderlijk worden ingezameld en worden geretourneerd aan een speciale recyclingdienst.

---

⑳ Toegepast onderdeel van het product type BF bij normaal gebruik noodzakelijkerwijs in contact met het lichaam van de patiënt. Het product voldoet aan de vereisten van IEC 60601-1 betreffende het bieden van bescherming tegen elektrische schokken.

---

㉑ Levenscyclus

---

㉒ Raadpleeg de handleiding voor belangrijke waarschuwingeninformatie, zoals waarschuwingen en voorzorgsmaatregelen.

---

㉓ Raadpleeg de gebruikshandleiding

---

㉔ Naam en adres van fabrikant

---

㉕ Dubbel geïsoleerd elektrisch apparaat

---

# Opslag en transport

- De temperatuur voor transport en opslag van het apparaat moet tussen de -10 en 50 graden Celsius zijn. Houd de luchtvochtigheid onder 70%.
- Het apparaat dient altijd in de originele verpakking te worden getransporteerd.
- Stel de verpakking niet bloot aan schokken en stoten.
- Gebruik het product niet als de verpakking kapot of beschadigd is.

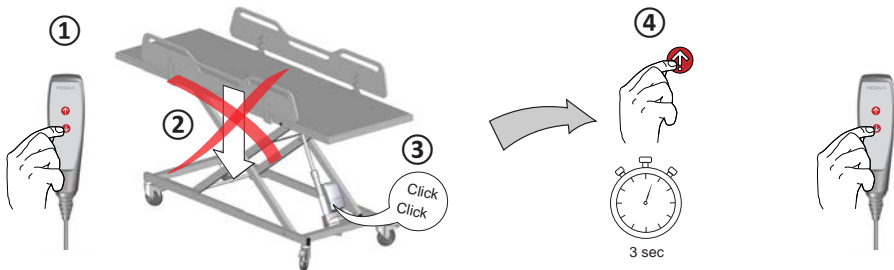
# Probleemoplossing

Symptoom	Oorzaak	Actie
Geen stroom.	De stekker is eruit getrokken.	Steek de stekker terug in het stopcontact.
De aankleedtafel beweegt moeilijk omhoog en omlaag, en het hefmechanisme maakt een klikgeluid.	De hefeenheid is niet goed gesmeerd.	Smeer de hefeenheid. Zie <b>Onderhoud</b> .
	De hefeenheid kan vastzitten.	Zie <b>Resetten</b> .

Neem contact op met Pressalit A/S of uw plaatselijke dealer als het probleem niet kan worden verholpen. Probeer niet zelf het product te repareren, omdat de garantie hierdoor komt te vervallen. De verwachte levensduur van de aankleedtafel is 10 jaar.

nl



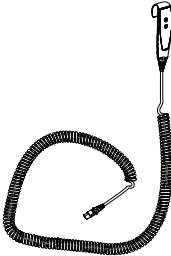



## Resetten



Als het apparaat vastzit en niet omlaag gaat, houd de knop omhoog dan 3 seconden ingedrukt en druk daarna op de knop omlaag.



Neem contact op met Pressalit voor een volledige lijst van beschikbare reserve-onderdelen.

		Snoer	Afstandsbediening
	EU/wereld	LB0696	 T4361
	UK/IRL	V6336	
	AUS/NZ	T4285	
	US/CAN	LB0688	

## Afvoer en recycling

De eenheid bevat herbruikbare materialen. Er zijn geen bekende gevaren of risico's gekoppeld aan het afvoeren van het product. Alle onderdelen kunnen na reiniging en desinfectie worden afgevoerd. We raden u aan het product bij afvoer te demonteren en onder te verdelen in afvalgroepen voor recycling of verbranding. De volgende tabel biedt informatie over het recyclen en hanteren van het product.

Recyclebare onderdelen	Materiaal
Staal	Staal kan worden gerecycled door het te smelten en te gebruiken als secundair materiaal bij de productie van nieuw staal.
Kunststof	Gebruik sorteer- en recyclingsystemen voor kunststof wanneer die plaatselijk beschikbaar zijn. Als dergelijke systemen niet beschikbaar zijn, kan verbranding van kunststofafval een alternatief zijn, omdat het energie kan opleveren die kan worden gebruikt voor de productie van energie.
Elektronica	De elektronische onderdelen moeten afzonderlijk worden ingezameld en worden geretourneerd aan een speciale recyclingdienst.

# Innehåll

Symboler som används i manualen.....	109
Allmän säkerhetsinformation.....	111
Säkerhetsavstånd.....	112
Avsedd användning.....	113
Användare.....	113
Avsedd för.....	113
Användningsmiljö.....	113
Kontraindikationer för användning.....	114
Biokompatibilitet.....	114
Antändlighet.....	114
Användningsinstruktioner.....	115
Säkerhetsbromsar.....	115
Sidoskydd.....	116
Höjjustering.....	117
Flytta britsen.....	118
Tillbehör.....	119
Madrass.....	119
Rengöring.....	120
Underhåll.....	121
Underhållsinspektion.....	121
Elektromagnetisk kompatibilitet.....	122
Elektromagnetisk immunitet/emission.....	122
Produktetikett.....	124
Förvaring och transport.....	126
Felsökning.....	126
Återställning.....	126
Kassering och återvinning.....	127

# Symboler som används i manualen

Följande symboler används i manualen samt i övrig dokumentation som medföljer produkten.



**VARNING** indikerar en potentiellt farlig situation som kan orsaka dödsfall eller allvarlig skada om den inte undviks.



**VAR FÖRSIKTIG** indikerar en potentiellt farlig situation som kan orsaka mindre eller måttlig skada om den inte undviks. Kan också användas för att varna för osäker hantering.



**VIKTIGT** indikerar viktig information om hantering och användning av produkten.



**OBS** används för att informera om hantering som inte är relaterad till personlig säkerhet.



Varning för huvudskada



Varning för handskada



Varning för skada på genitalierna



Varning för fotskada



Lämna inte patienten utan tillsyn.



Kompatibla produkter



Reservdelar



Användarens maxvikt



Artikelnummer/versioner



Produktvikt



Elektriska specifikationer

# Allmän säkerhetsinformation

## **VARNING**

- Se till att du har läst och förstått manualen fullständigt innan du använder produkten. Förvara manualen nära produkten.
- Följ anvisningarna i manualen för att undvika olyckor som kan orsaka allvarliga personskador.
- Använd aldrig produkten på något annat sätt än vad som beskrivs i den här manualen eftersom du då riskerar att skada både dig själv och produkten.
- Se till att alla personer som ska installera eller använda produkten och de tillhörande systemen har fått den information som behövs samt att de har tillgång till manualen.

## **VAR FÖRSIKTIG**

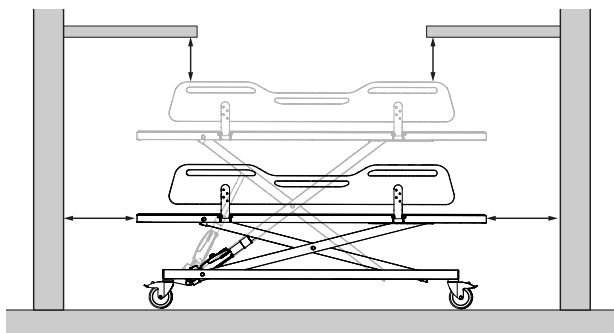
- Följ anvisningarna för att undvika att produkten skadas eller förstörs.
- Försök inte reparera, demontera, montera eller göra tillägg till produkten eller ändra den på något sätt. Sådana åtgärder får endast utföras av Pressalit eller av personer som fått behörighet av Pressalit.
- Låt aldrig barn använda produkten ensamma. Den är inte avsedd för lek.
- Använd aldrig produkten om den är trasig eller skadad. Vänta med att använda en defekt produkt tills den har reparerats.




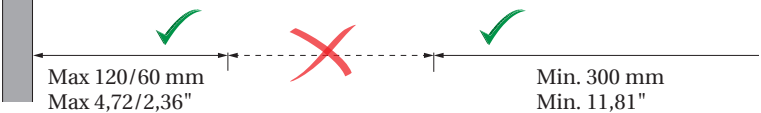






## **OBS**

- Informationen i den här manualen är baserad på att produkten är korrekt monterad enligt våra anvisningar.
- Pressalit tar inget ansvar för eventuella fel som uppstår om produkten används på något annat sätt än vad som beskrivs i manualen.
- Vi förbehåller oss rätten att göra ändringar i manualen utan att meddela detta i förväg.

# Säkerhetsavstånd

Se till att enheten är på säkert avstånd från omgivande föremål. Kontrollera avståndet innan användning.



ISO 17966:2016		 / 	
		Max 120/60 mm Max 4,72/2,36"	Min. 300 mm Min. 11,81"
		Max 8/4 mm Max 0,31/0,16"	Min. 25 mm Min. 0,98"
		Max 8 mm Max 0,31"	Min. 75 mm Min. 2,95"
		Max 35/25 mm Max 1,38/0,98"	Min. 120 mm Min. 4,72"

## VARNING

Om enheten är i rörelse inom säkerhetsavstånden måste du vara särskilt uppmärksam på personer och föremål som finns i närheten för att undvika risken för klämskador.



# Avsedd användning

Den här produkten är avsedd för vård av en person som inte kan stå eller sitta själv. Personen ligger horisontellt på vårdbritsen.

## Användare

Produkten ska endast användas av personal som är utbildad i hälsovård och/eller att utföra ombyte på personer.

## Avsedd för

Produkten kan användas av alla – vuxna, barn, gamla och unga med en **maxvikt på 200 kg**.

## Användningsmiljö

Vårdbritsen är avsedd för användning i rumstemperatur i allmänna omklädningsrum, skolor, privata hem, vårdhem, vårdcentraler och sjukhus under normala arbetsförhållanden.

Vårdbritsen ska användas i torra utrymmen och inte som en duschbrits i duschar. Om den relativa luftfuktigheten är över 70 % minskar den förväntade användningstiden avsevärt för enheten. Vårdbritsen får inte utsättas för ångor som innehåller klor.



**VAR FÖRSIKTIG**

Ytan på produkten kan bli mycket varm eller kall om den utsätts för värme eller kyla från externa källor, t.ex. solsken eller frost.

SV

**OBS**

Eventuella allvarliga incidenter som inträffar i samband med produkten ska rapporteras till tillverkaren och till berörda hälsomyndigheter.

En allvarlig incident definieras som en incident som leder till dödsfall för en patient, användare eller annan person, eller som orsakar en tillfällig eller permanent försämring av personens hälsa. Alla incidenter som har resulterat i eller eventuellt kan resultera i en allvarlig incident måste rapporteras.

## **Kontraindikationer för användning**

Om produkten används för patienter som har skadad hud, sår eller liknande, rekommenderar vi att en handduk används som underlag för att skydda öppna sår från att komma i direkt kontakt med ämnet i britsen.

## **Biokompatibilitet**

Biokompatibiliteten hos det material som kommer i kontakt med användarens hud under avsedd användning har utvärderats enligt procedurerna som specificeras i SS-EN ISO 10993-1:2020, vilket inkluderar biologisk bedömning av material. Baserat på denna utvärdering bedöms materialet vara lämpligt för den avsedda användningen.

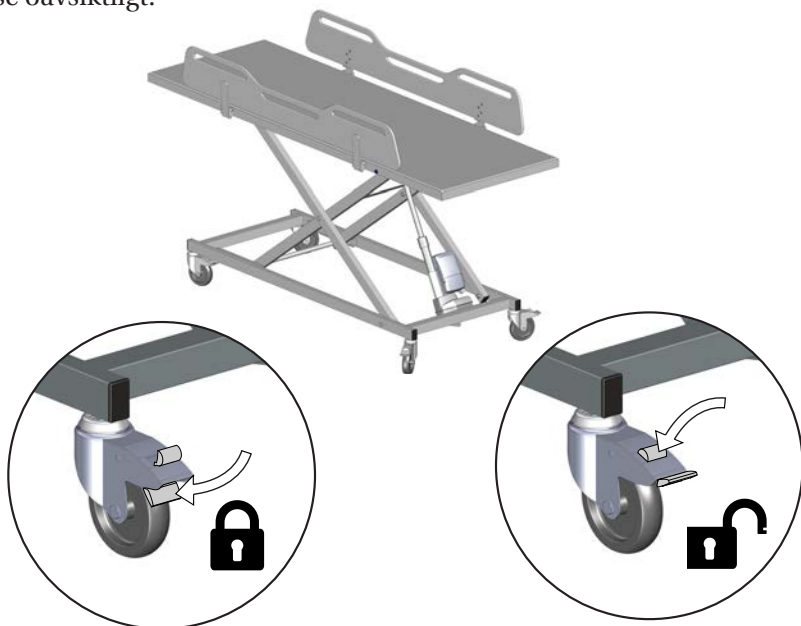
## **Antändlighet**

Produktens material har genomgått antändlighetstester i enlighet med ISO 8191-1:1987 och ISO 8191-2:1988.

# Användningsinstruktioner

## Säkerhetsbromsar

Vårdbritsen har bromsar på alla fyra hjulen för att hindra den från att sättas i rörelse oavsiktligt.



**Låsa bromsarna:** Trampa på låspedalen på alla fyra hjulen för att aktivera bromsarna.

**Låsa upp bromsarna:** Trampa på upplåsningsknappen på alla fyra hjulen för att låsa upp bromsarna.



**Använd alltid fötterna för att låsa eller låsa upp hjulen. Bär skor med stängd tå och använd aldrig händerna för att låsa eller låsa upp hjulen.**



**VARNING**

Se alltid till att låsen på alla fyra hjulen är ordentligt låsta innan en patient förflyttas till eller från britsen.

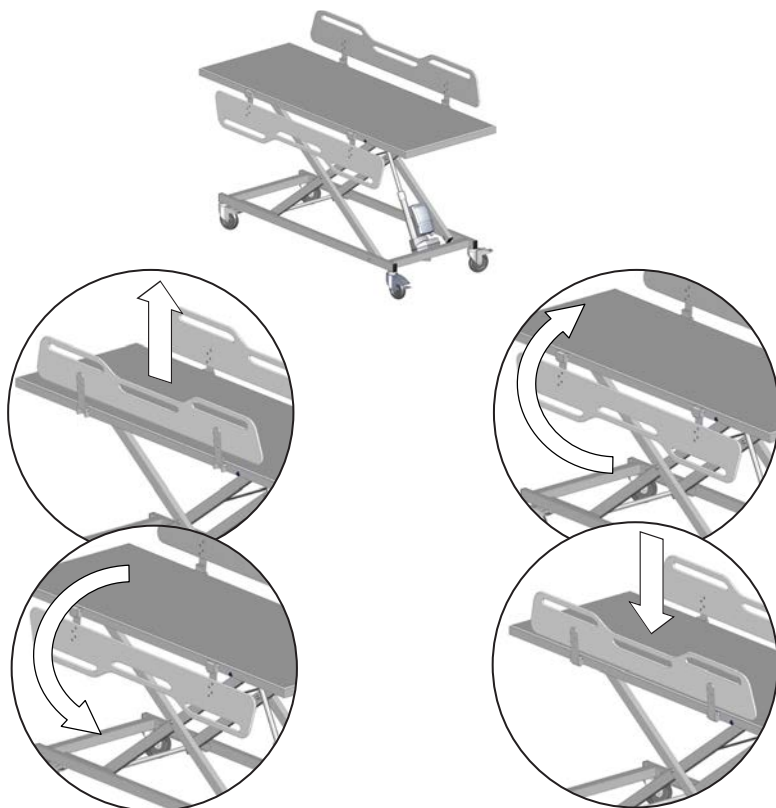


**Lämna inte patienten utan tillsyn.**

SV

## Sidoskydd

Sidoskydden kan fällas upp och ned individuellt för att smidigt kunna flytta patienten.



**Fälla ned:** Lyft sidoskyddet uppåt för att låsa upp det och fäll det sedan nedåt.

**Fälla upp:** Fäll upp sidoskyddet och tryck det nedåt för att låsa det på plats.



**Var försiktig när du låser sidoskydden så att inte patientens händer eller andra kroppsdelar kläms av misstag.**



**VARNING**



Håll alltid alla sidoskydd uppfällda och låsta när britsen används för att skydda patienten från att falla av.



## Höjdjustering



Vårdbristen kan justeras 500 mm uppåt och nedåt. Maximal höjd är 950 mm. Höjdjusteringen utförs via en trådbunden manöverdosa.



	Tryck på upp-knappen och håll ned den för att höja enheten. Höjningen/sänkningen stoppas när du släpper knappen.
	Tryck på ned-knappen och håll ned den för att sänka enheten. Höjningen/sänkningen stoppas när du släpper knappen.

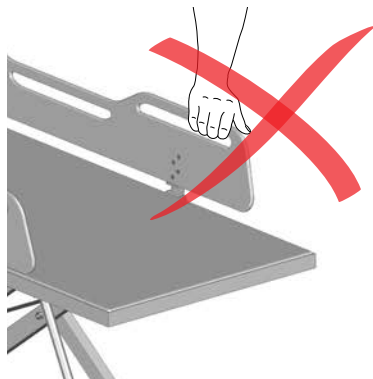
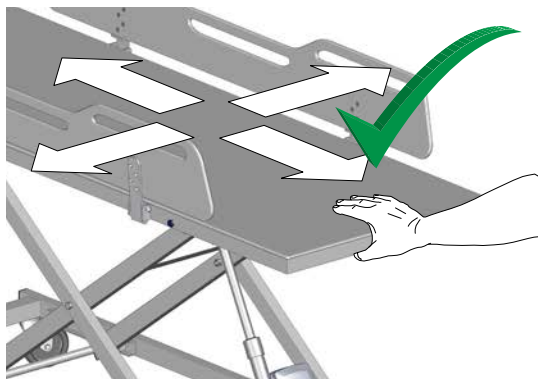
	<b>Sätt inte foten på stödramen och var extra uppmärksam på risken att klämma fötter, händer, barn eller föremål när du justerar höjden på enheten.</b>
	<b>Säkerställ att manöverdosans kabel inte lägger sig runt patientens nacke och därmed utgör en kvävningsrisk. Manöverdosan med kabel måste placeras på sidoskyddet när den inte används.</b>

 **VARNING**

Låt aldrig barn befinna sig runt enheten när den höjdjusteras.

## Flytta britsen

För att flytta britsen ska du låsa upp alla fyra hjulen så som beskrivs ovan. Greppa tag i själva liggytan när du flyttar enheten, inte i sidoskydden. Var försiktig när du flyttar enheten.



### **VARNING**

Säkerställ att strömkabeln inte ligger runt patientens fötter eller är placerad på ett sätt som kan utgöra en kvävningrisk. När enheten används ska strömkabeln vara placerad på golvet, och när enheten inte används ska kabeln vara placerad på sidan av enheten.

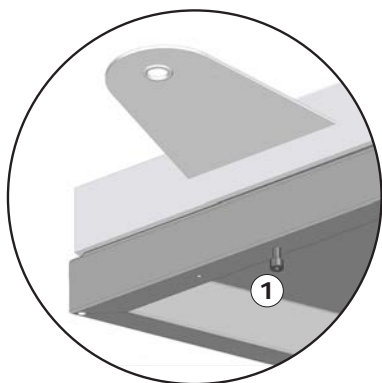
### **VAR FÖRSIKTIG**

Var uppmärksam på strömkabeln och se till att du inte snubblar över den när den ligger på golvet. Observera att även om produkten kan flyttas så är den ansluten till ett uttag med en strömkabel. Därför ska du vara försiktig när du flyttar produkten så att den elektriska installationen eller produkten inte skadas. Innan du ansluter produkten ska du alltid kontrollera både kabeln och kontakten visuellt så att det inte finns några skador. Om du upptäcker en skada ska kabeln bytas ut för att undvika risk för elektrisk stöt.

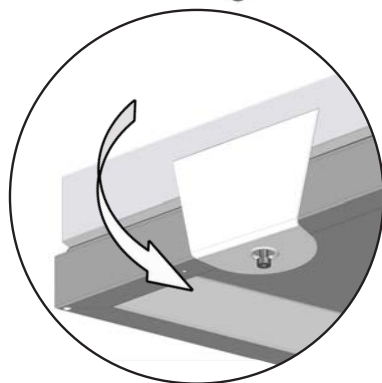
# Tillbehör

## Madrass

Du kan komplettera vårdbritsen med en madrass för ökad komfort. Madrassen är vändbar och båda sidorna kan användas.



För att sätta fast madrassen ska du skruva ur låsskruven ① cirka en centimeter.



Dra ned madrassfliken över skruven. Gör likadant med alla fyra flikarna.

Produkten ska rengöras med varmt vatten eller ett mildt tvålbaserat rengöringsmedel. På [pressalit.com](http://pressalit.com) finns en lista över lämpliga rengöringsmedel/ desinficeringsmedel som har testats av Pressalit.

En monteringsinstruktion medföljer madrassen och kan även laddas ned från [pressalit.com](http://pressalit.com).



SV

## VIKTIGT

För att upprätthålla god hygien rekommenderar vi att du regelbundet kontrollerar om det finns synliga skador eller tecken på hårt slitage på madrassen. Om du upptäcker skador eller slitage ska madrassen bytas ut omedelbart för att förhindra risken för kontaminering eller infektion.

## Rengöring

När du rengör produkten ska du använda en fuktig trasa som vridits ur efter att ha doppats i en mild tvålblandning, t.ex. en universal rengöringslösning. Efter rengöringen är det viktigt att torka av produkten med en torr, mjuk trasa. Detta steg är mycket viktigt för att förhindra att materialet missfärgas. Dessutom hjälper det till att förhindra att ytans färg försämras. På [pressalit.com](http://pressalit.com) finns en lista över lämpliga rengöringsmedel/ desinficeringsmedel som har testats av Pressalit.



## VAR FÖRSIKTIG

Läs alltid de medföljande anvisningarna till det aktuella rengöringsmedlet och följ dessa anvisningar för säker användning, spädning, sköljning, torkning, hantering och förvaring.

## VIKTIGT

- Skölj eller spreja inte med vatten direkt på produkten.
- Använd inte en autoklav eller någon annan typ av ångtvätt för rengöring.
- Undvik aggressiva rengöringsmedel som innehåller syror eller baser.
- Undvik användning av slipande, frätande eller klorbaserade rengöringsmedel.



## VAR FÖRSIKTIG

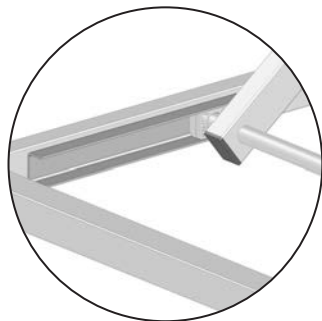
Utför ingen typ av rengöring eller desinficering av vårdbritsen om en patient ligger på den.



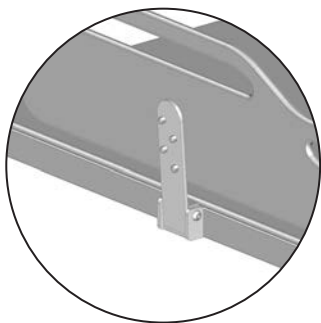
# Underhåll

Vi rekommenderar att en underhållsinspektion utförs varje år.

## Underhållsinspektion



Smörj glidskenorna minst var sjätte månad. Använd smörjfett av livsmedelskvalitet.



Kontrollera att inga muttrar, skruvar eller gångjärn sitter löst. Dra åt dem om det behövs.



Kontrollera att ingen korrosion förekommer på hjulen. Byt ut dem om det behövs.

# Elektromagnetisk kompatibilitet



- Användning av andra tillbehör, omvandlare och kablar än de som är specificerade eller som tillhandahålls av tillverkaren kan orsaka ökad elektromagnetisk emission eller försämrade elektromagnetisk immunitet för den här utrustningen vilket kan resultera i felaktig funktion.
- Bärbar utrustning för RF-kommunikation (inklusive tillbehör som antennkablar och externa antenner) ska inte användas närmare än 30 cm från någon del av produkten (inklusive dess kablar) för att undvika att produktens prestanda försämras.
- Använd inte den här produkten bredvid eller ovanpå annan utrustning eftersom det kan resultera i felaktig drift. Om produkten ändå behöver användas på ett sådant sätt ska både den och den andra utrustningen kontrolleras för att verifiera att de fungerar normalt.

## Elektromagnetisk immunitet/emission

<b>Elektrostatisk urladdning</b>	
Teststandard	Testnivå för immunitet
SS-EN 61000-4-2	+/- 8 kV kontakt, +/- 2, 4, 8, 15 kV luft
<b>RF-fält som sänder ut elektromagnetisk strålning</b>	
Teststandard	Testnivå för immunitet
SS-EN 61000-4-3	15 V/m 80 MHz till 1 GHz, 15 V/m 1,01 GHz till 6 GHz 80 % AM 1 kHz
<b>Snabba elektriska transienter/pulsskuror</b>	
Teststandard	Testnivå för immunitet
SS-EN 61000-4-4	+/- 1 kV, +/- 2 kV, 100 kHz repetitionsfrekvens
<b>Överspänningsskydd</b>	
Teststandard	Testnivå för immunitet
SS-EN 61000-4-5	Ledning till ledning: +/- 0,5 kV, +/- 1 kV Ledning till jord: +/- 0,5 kV, +/- 1 kV, +/- 2 kV
<b>Immunitet mot ledningsbundna störningar inducerade av RF-fält</b>	
Teststandard	Testnivå för immunitet
SS-EN 61000-4-6	3 V (6 V i ISM-band och amatörradioband) 0,15 till 80 MHz, 80 % AM vid 1 kHz

**Immunitet mot närliggande RF-fält från utrustning för trådlös kommunikation**

Teststandard	Testnivå för immunitet
SS-EN 61000-4-3	385 MHz, 27 V/m, 18 Hz PM (50 % driftcykel, fyrkantsvåg) 450 MHz, 28 V/m, FM +/- 5 kHz avvikelse, 1 kHz sinusvåg 710 MHz, 9 V/m, 217 Hz PM (50 % driftcykel, fyrkantsvåg) 745 MHz, 9 V/m, 217 Hz PM (50 % driftcykel, fyrkantsvåg) 780 MHz, 9 V/m, 217 Hz PM (50 % driftcykel, fyrkantsvåg) 810 MHz, 28 V/m, 18 Hz PM (50 % driftcykel, fyrkantsvåg) 870 MHz, 28 V/m, 18 Hz PM (50 % driftcykel, fyrkantsvåg) 930 MHz, 28 V/m, 18 Hz PM (50 % driftcykel, fyrkantsvåg) 1720 MHz, 28 V/m, 217 Hz PM (50 % driftcykel, fyrkantsvåg) 1845 MHz, 28 V/m, 217 Hz PM (50 % driftcykel, fyrkantsvåg) 1970 MHz, 28 V/m, 217 Hz PM (50 % driftcykel, fyrkantsvåg) 2450 MHz, 28 V/m, 217 Hz PM (50 % driftcykel, fyrkantsvåg) 5240 MHz, 9 V/m, 217 Hz PM (50 % driftcykel, fyrkantsvåg) 5500 MHz, 9 V/m, 217 Hz PM (50 % driftcykel, fyrkantsvåg) 5785 MHz, 9 V/m, 217 Hz PM (50 % driftcykel, fyrkantsvåg)

**Spänningsfall**

Teststandard	Testnivå för immunitet
SS-EN 61000-4-11	0 % U <sub>T</sub> ; 0,5 cykel vid 0°, 45°, 90°, 135°, 180°, 225°, 270° och 315°, 0 % U <sub>T</sub> ; 1 cykel vid 0°, 70 % U <sub>T</sub> ; 25 cykler vid 0° Enfas vid 0°

**Spänningsavbrott**

Teststandard	Testnivå för immunitet
SS-EN 61000-4-11	0 % U <sub>T</sub> ; 300 cykler

**Emission från ledningsbunden/strålad RF**

Teststandard	Emissionsstandard och -grupp
SS-EN 55011	Klass B, grupp 1

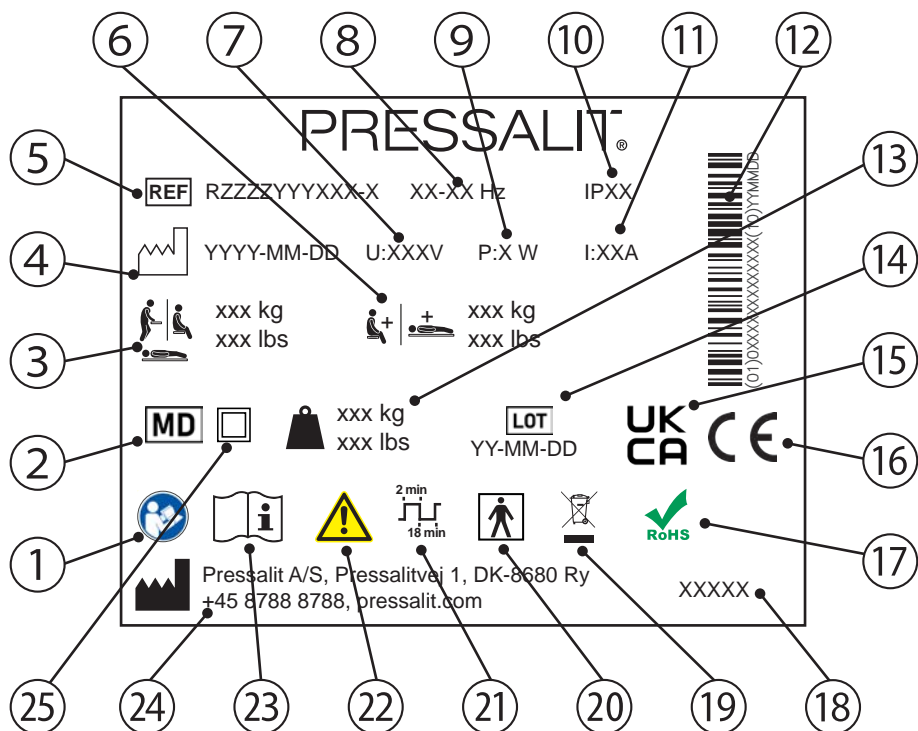
**Korrekt belastning av elnätet**

Teststandard	Emissionsstandard och -grupp
IEC 61000-3-2	Klass A

**Spänningsförändringar, spänningsvariationer och flimmar**

Teststandard	Emissionsstandard och -grupp
SS-EN 61000-3-3	Testad enligt denna standard.

# Produktetikett



① Läs manualen för att få anvisningar om användning.

② Medicinsk utrustning

③ Användarens maxvikt

④ Tillverkningsdatum

⑤ Artikelnummer

⑥ Max. belastning

⑦ Nätspänning

⑧ Frekvens

⑨ Maximal energiförbrukning

⑩ IP-klass

---

⑪ Elektrisk ström

---

⑫ Streckkod GS1-128

---

⑬ Produktvikt

---

⑭ Batchkod

---

⑮ UKCA-märkt

---

De här produkterna är CE-märkta i enlighet med relevanta krav i:

- Förordning (EU) 2017/745 (av den 5 april 2017) om medicintekniska produkter.

⑯

- Maskindirektivet 2006/42/EG (av den 17 maj 2006).
- RoHS-direktivet 2011/65/EG (av den 8 juni 2011).

En försäkran om överensstämmelse finns på [pressalit.com](http://pressalit.com).

---

⑰ Produkten innehåller inga av de farliga ämnen som är angivna i RoHS-direktivet 2011/65/EG.

---

⑱ Produktnamn (om tillämpligt)

---

⑲ Produkten får inte kasseras som vanligt hushållsavfall. Avfallssortera de olika delarna och lämna in dem för återvinning på därför avsedd plats.

---

⑳ Typ BF-del. En del av produkten kommer att komma i fysisk kontakt med patienten vid normal användning. Produkten uppfyller kraven i IEC 60601-1 och är därmed skyddad mot elektriska stötar.

---

㉑ Arbetscykel

---

㉒ Läs manualen för att få veta innebörden i viktig säkerhetsinformation som varningar och försiktighetsåtgärder.

---

㉓ Läs manualen för att få anvisningar om användning.

---

㉔ Tillverkarens namn och adress.

---

㉕ Dubbelisolerad elektrisk apparat.

---

# Förvaring och transport

- Temperaturen vid transport och förvaring måste ligga mellan -10 och 50 grader Celsius. Håll luftfuktigheten under 70 %.
- Enheten måste alltid transporteras i sin originalförpackning.
- Se till att förpackningen inte utsätts för stötar.
- Använd inte produkten om förpackningen är trasig eller skadad.

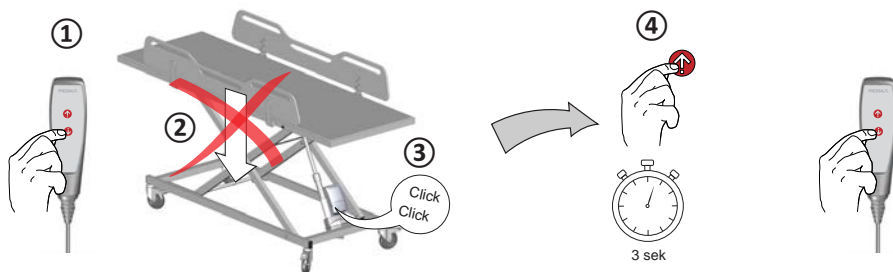
# Felsökning

Symptom	Orsak	Åtgärd
Ingen ström.	Strömkabeln har dragits ut.	Anslut strömkabeln till uttaget igen.
Det är svårt att flytta britsen uppåt och/eller nedåt, och ett klickande ljud hörs i lyftmekanismen.	Lyftenheten måste smörjas.	Smörj lyftenheten. Se <b>Underhåll</b> .
	Lyftenheten kan ha fastnat.	Se <b>Återställning</b> .

Kontakta Pressalit A/S eller din återförsäljare om du inte kan åtgärda problemet. Försök inte reparera produkten själv eftersom det gör att garantin upphör att gälla. Den förväntade användningstiden för vårdbritsen är 10 år.

SV



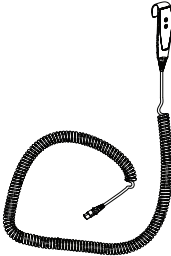



## Återställning



Om enheten har fastnat och inte kan flyttas nedåt ska du trycka på upp-knappen i 3 sekunder och sedan på ned-knappen.



Kontakta Pressalit för en komplett lista över tillgängliga reservdelar.

		Strömkabel	Fjärrkontroll
	EU/världen	LB0696	 T4361
	UK/IRL	V6336	
	AUS/NZ	T4285	
	US/CAN	LB0688	

## Kassering och återvinning

Produkten innehåller material som går att återvinna. Det finns inga kända risker förknippade med kassering av produkten. Alla komponenter kan kasseras efter att de har rengjorts och desinficerats. Vid kassering av produkten rekommenderar vi att den demonteras och att de olika delarna avfallssorteras för återvinning eller förbränning. I följande tabell finns information om återvinning och hantering av produkten.

Komponenter som kan återvinnas	Material
Stål	Stål kan återvinnas genom att smältas ned och inkluderas som ett sekundärt material vid tillverkning av nytt stål.
Plast	Använd system för sortering och återvinning av plast där det finns tillgängligt. Om inget sådant system finns tillgängligt kan förbränning av plastavfall vara ett alternativ, då det kan generera energi som kan användas för elproduktion.
Elektronik	De elektroniska komponenterna ska samlas in och sorteras som elektriskt avfall.

SV

# Innholdsfortegnelse

Symboler brukt i denne brukerhåndboken .....	129
Generell sikkerhet .....	131
Sikkerhetsavstander .....	132
Tiltenkt bruk .....	133
Krav til operatører.....	133
Krav til brukere .....	133
Krav til omgivelsene ved bruk .....	133
Kontraindikasjoner for bruk.....	134
Biokompatibilitet .....	134
Brennbarhet.....	134
Bruksanvisning .....	135
Sikkerhetsbremseser .....	135
Sidegrinder.....	136
Høydejustering .....	137
Flytte .....	138
Tilbehør .....	139
Madrass.....	139
Rengjøring.....	140
Vedlikehold .....	141
Vedlikeholdskontroll .....	141
Elektromagnetisk kompatibilitet .....	142
Elektromagnetisk immunitet / utslipp .....	142
Produktetikett.....	144
Oppbevaring og transport .....	146
Feilsøking.....	146
Tilbakestilling .....	146
Kassering og gjenvinning .....	147



# Symboler brukt i denne brukerhåndboken

De følgende symbolene brukes i denne brukerhåndboken og i den tilhørende dokumentasjonen som følger med produktet.



**ADVARSEL** indikerer en potensiell farlig situasjon som, hvis den ikke unngås, kan føre til død eller alvorlig personskade.



**FORSIKTIG** angir en potensielt farlig situasjon som, hvis den ikke unngås, kan føre til mindre eller moderate personskader. Det kan også brukes for å advare mot feilaktig bruk.



**VIKTIG** angir viktig informasjon om korrekt håndtering og bruk av produktet.



**MERKNAD** indikerer forhold som ikke er relatert til personlig sikkerhet.



Advarsel om hodeskader



Advarsel om håndskader



Advarsel om skader på kjønnsorgan



Advarsel om fotskader

no



Ikke forlat pasienten uten tilsyn.



Kompatible produkter



Reservedeler



Maksimal brukervekt



Artikkelnummer/-versjoner



Produktvekt



Elektriske data

# Generell sikkerhet

## **ADVARSEL**

- Les og forstå brukerhåndboken fullstendig før bruk. Oppbevar brukerhåndboken nær enheten.
- Følg instruksjonene i denne brukerhåndboken for å unngå ulykker som kan føre til alvorlig personskade.
- Dette produktet skal aldri brukes eller håndteres på andre måter enn som beskrevet i denne brukerhåndboken. Dette kan redusere sikkerheten for deg og føre til skade på produktet.
- Sørg for at alle som skal montere eller bruke produktet og systemene, har all nødvendig informasjon og tilgang til denne brukerhåndboken.

## **FORSIKTIG**

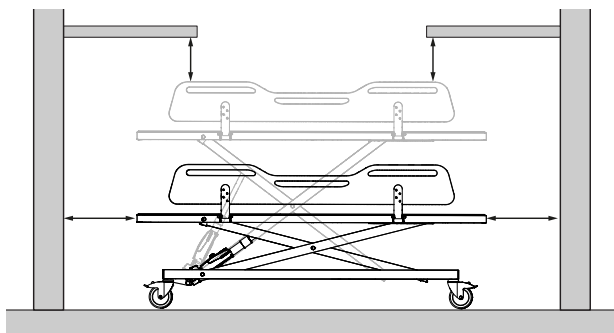
- Følg disse instruksjonene for å unngå at produktet skades eller ødelegges.
- Ikke utfør reparasjoner, demonterings- eller monteringsoperasjoner, utvidelser, justeringer eller modifikasjoner på dette produktet. Dette skal kun utføres av Pressalit eller personer som er autorisert av Pressalit.
- La aldri barn bruke dette produktet uten tilsyn. Produktet er ikke et leketøy.
- Bruk aldri produktet hvis det er defekt eller skadet. Bruk ikke et defekt produkt før det er blitt reparert.



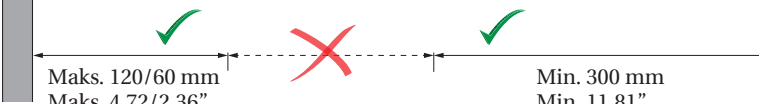





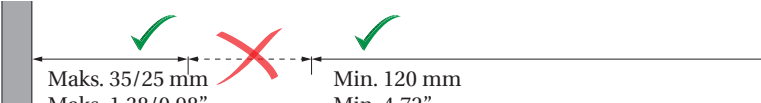
## **MERKNAD**

- Informasjonen i denne brukerhåndboken forutsetter at produktet er riktig montert i samsvar med våre monteringsinstruksjoner.
- Pressalit kan ikke holdes ansvarlig hvis produktet brukes på annen måte enn som beskrevet i veiledningen.
- Vi forbeholder oss retten til å foreta endringer i denne brukerhåndboken uten varsel.

# Sikkerhetsavstander

Sørg for at enheten er i sikker avstand fra gjenstander i nærheten. Kontroller avstandene før bruk.



ISO 17966:2016			
		Maks. 120/60 mm Maks. 4,72/2,36"	Min. 300 mm Min. 11,81"
		Maks. 8/4 mm Maks. 0,31/0,16"	Min. 25 mm Min. 0,98"
		Maks. 8 mm Maks. 0,31"	Min. 75 mm Min. 2,95"
		Maks. 35/25 mm Maks. 1,38/0,98"	Min. 120 mm Min. 4,72"

## **ADVARSEL**

Hvis enheten beveger seg innenfor sikkerhetsavstandene, må du holde et spesielt godt øye med personer og gjenstander i nærheten for å unngå klemfare.

## Tiltenkt bruk

Dette produktet skal brukes til å stelle en person som ikke kan stå eller sitte. Personen skal ligge horisontalt på det mobile stellebordet.

### Krav til operatører

Kun helsepersonell / personer med opplæring i skift av pleiende skal bruke dette produktet.

### Krav til brukere

Produktet kan brukes av alle – voksne, barn, unge, eldre – som veier **maksimalt 200 kg**.

### Krav til omgivelsene ved bruk

Det mobile stellebordet skal brukes ved romtemperatur på offentlige skiftsteder, skoler, i private hjem, dagsenter/sykehjem og sykehus under normale driftsforhold.

Stellebordet skal brukes i tørre rom og ikke som et dusjstillebord i dusjen. Hvis den relative fuktigheten er over 70 %, blir det forventede levetiden kraftig redusert. Stellebordet må ikke utsettes for klorholdige gasser.



Produktets overflate kan bli varm eller kald hvis den utsettes for eksterne kilder for varme eller kulde, f.eks. sollys eller frost.

## MERKNAD

Enhver alvorlig hendelse som har skjedd i forbindelse med produktet, skal rapporteres til produsenten og helsemyndighetene.

En alvorlig hendelse defineres som en hendelse som fører til at en pasient, bruker eller annen person dør, eller som forårsaker en midlertidig eller permanent forverring av personens helse. Enhver hendelse som har resultert i eller har potensial til å resultere i en alvorlig hendelse, skal rapporteres.

no

## **Kontraindikasjoner for bruk**

Hvis produktet brukes til pasienter med skadet hud, sår eller andre lignende tilstander, anbefales det å bruke et håndkle som barriere for å forhindre at åpne sår kommer i direkte kontakt med underlaget.

## **Biokompatibilitet**

Biokompatibiliteten til materialene som kommer i kontakt med brukerens hud under tiltenkt bruk, er evaluert i henhold til prosedyrene som er beskrevet i DS/EN ISO 10993-1:2020, som omfatter vurdering av materialene for skadelige stoffer. Basert på denne evalueringen anses materialene som egnet for deres tiltenkte bruk.

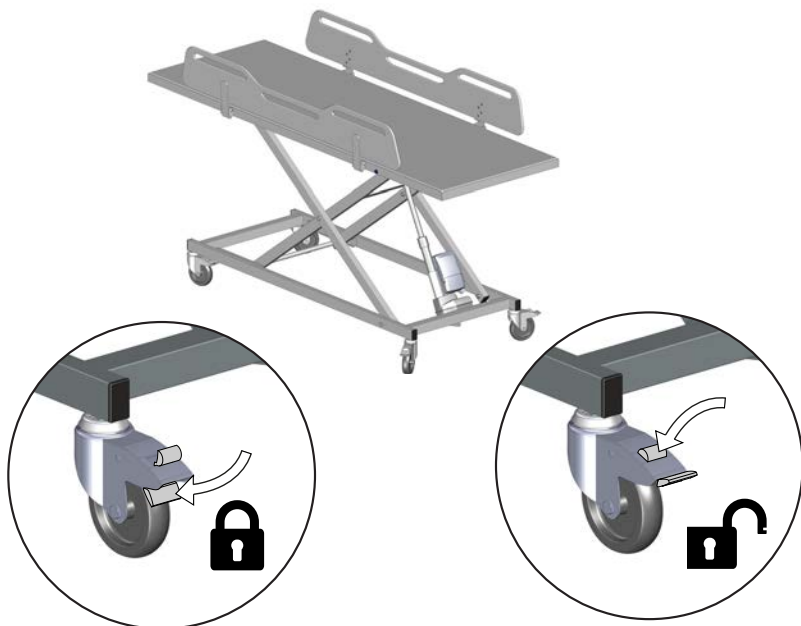
## **Brennbarhet**

Produktmaterialene har gjennomgått brennbarhetstesting i henhold til ISO 8191-1:1987 og ISO 8191-2:1988.

# Bruksanvisning

## Sikkerhetsbrems

Stellebordet har brems på alle fire hjul for å forhindre utilsiktet bevegelse.



**Slik låser du bremsene:** Trå på låsepedalen på alle fire hjulene for å aktivere bremsene.

**Slik låser du opp bremsene:** Trå på utløserpedalen på alle fire hjulene for å låse opp bremsene.



**Bruk alltid foten din til å låse eller låse opp hjulene. Bruk sko med lukket tå og bruk aldri hendene dine til å låse eller låse opp hjulene.**

no



**ADVARSEL**

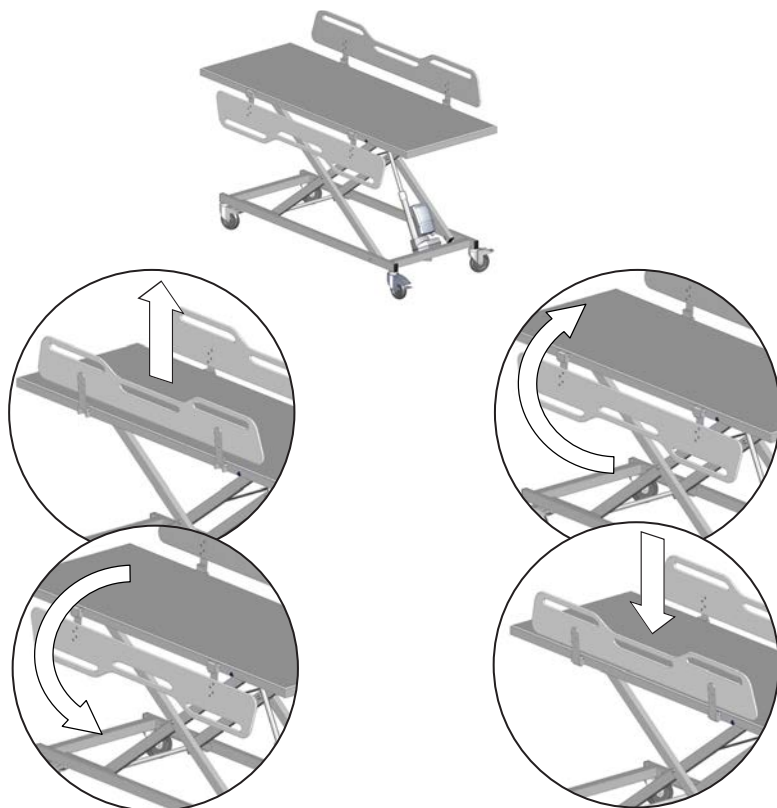
Sørg alltid for at bremsene på alle fire hjulene er på før du overfører en pasient til eller fra bordet.



**Ikke forlat pasienten uten tilsyn.**

## Sidegrinder

Sidegrindene kan foldes opp og ned hver for seg for enkel overføring av pasienten.



**Felle ned:** Løft sidegrinden oppover for å låse den opp, og sving den ned.

**Felle opp:** Sving sidegrinden opp og skyv den ned for å låse den på plass.

no



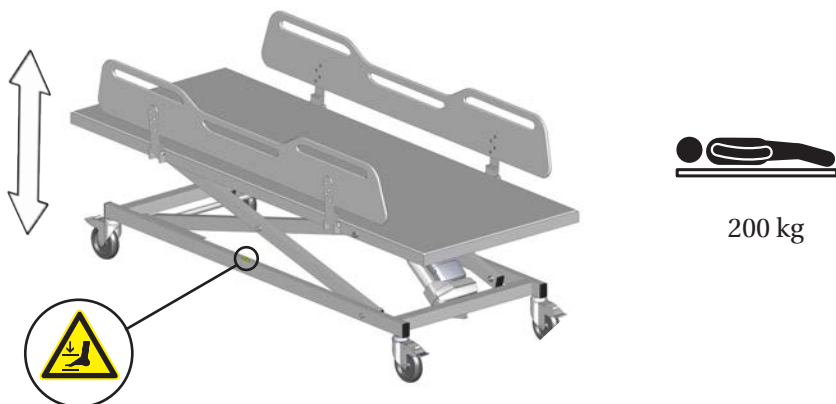
**Når du låser sidegrindene, må du være forsiktig så du ikke klemmer pasientens hender eller kjønnsorganer.**

**ADVARSEL**

Sørg alltid for at sidegrindene er oppe og i låst posisjon ved bruk av stellebordet for å hindre pasienten i å falle ned.







## Høydejustering



Stellebordet kan justeres 500 mm opp og ned. Maksimal høyde er 950 mm. Høydejusteringen kontrolleres med den kablede fjernkontrollenheten.



	Trykk på og hold inne opp-knappen for å heve stellebordet. Bevegelsen stopper når du slipper knappen.
	Trykk på og hold inne ned-knappen for å senke stellebordet. Bevegelsen stopper når du slipper knappen.

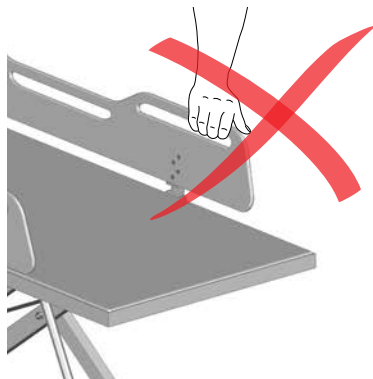
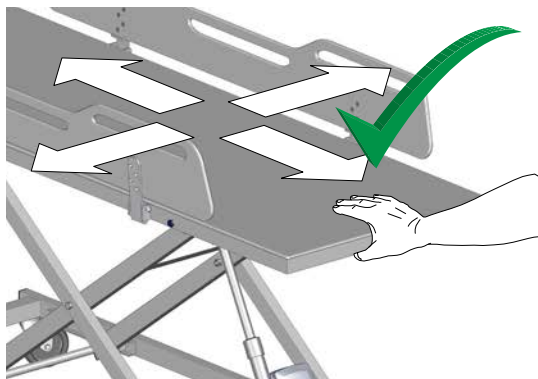
	<b>Ikke sett foten på den bærende rammen, og vær spesielt oppmerksom på at føtter, hender, barn eller andre gjenstander kan komme i klem når du justerer høyden på enheten.</b>
	<b>Sørg for at ledningen til håndkontrollen ikke vikles rundt pasientens hals og utgjør en kvelningsrisiko. Den kablede håndkontrollen må plasseres på sidegrinden når den ikke er i bruk.</b>

 **ADVARSEL**

La aldri barn være i nærheten enheten når den høydejusteres.

## Flytte

Lås opp alle fire hjulene som beskrevet for å flytte på stellebordet. Hold i selve bordet og ikke sidegrindene når du flytter enheten. Vær forsiktig når du flytter enheten.



### ADVARSEL

Sørg for at strømledningen ikke er viklet rundt pasientens føtter eller plassert på en måte som kan føre til kvelning. Når enheten er i bruk, skal strømledningen ligge på gulvet. Når den ikke er i bruk, skal ledningen plasseres på siden av enheten.



### FORSIKTIG

Vær oppmerksom på strømledningen og sørg for at du ikke snubler over den når den ligger på gulvet.

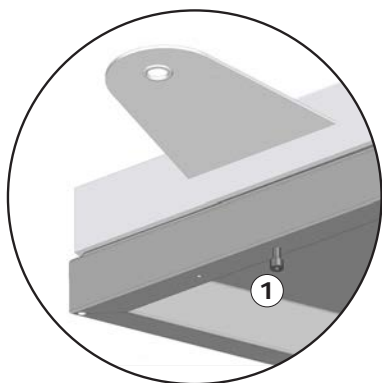
Merk at selv om produktet kan flyttes, så er det tilkoblet en stikkontakt via en strømledning. Vær derfor forsiktig ved flytting av produktet så du ikke skader det elektriske anlegget eller produktet.

Før du setter i støpselet, må du alltid kontrollere om det er tegn til skade på både ledningen og støpselet. Hvis noe er skadet, må du erstatte ledningen for å unngå fare for elektrisk sjokk.

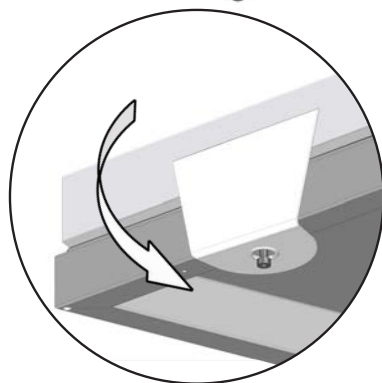
# Tilbehør

## Madrass

Du kan legge en madrass på stallebordet for å øke komforten. Madrassen er vendbar og kan brukes på begge sider.



Skruløs låseskruen ① med ca. én centimeter for å feste madrassen.

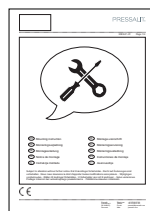


skruen. Gjør det samme med alle fire klaffene.

Trekk madrassklaffen ned over

Produktet skal rengjøres med varmt vann eller et mildt rengjøringsmiddel. Du finner en liste over passende rengjørings-/desinfeksjonsmidler testet av Pressalit, på [pressalit.com](http://pressalit.com).

En monteringsveiledning følger med dusjmadrassen og kan også lastes ned fra [pressalit.com](http://pressalit.com).



no

## VIKTIG

For å opprettholde hygienen anbefales det å kontrollere om madrassen har synlige skader eller tegn på slitasje med jevne mellomrom. Hvis det oppdages skader, bør madrassen skiftes ut umiddelbart for å unngå risiko for kontaminering eller infeksjon.

## Rengjøring

Rengjør produktet med en fuktig klut som er vridd opp i en mild såpeblanding, f.eks. universalrengjøringsmiddel.

Etter rengjøring er det viktig å tørke av produktet med en tørr, myk klut. Dette trinnet er viktig for å forhindre at materialene misfarges. I tillegg bidrar det til å forhindre eventuell nedbrytning av overflatelakken.

Du finner en liste over passende rengjørings-/desinfeksjonsmidler testet av Pressalit, på [pressalit.com](http://pressalit.com).

## FORSIKTIG

Les alltid instruksjonene som følger med rengjøringsmiddelet, og følg instruksjonene for sikker bruk, fortynning, skylling, tørking, håndtering og oppbevaring av middelet.

## VIKTIG

- Ikke skylle eller spray vann direkte på produktet.
- Ikke bruk autoklaving eller annen type damprengjøring.
- Unngå sterke rengjøringsmidler som inneholder syre eller base.
- Unngå bruk av slipende, etsende eller klorbaserte rengjøringsmidler.

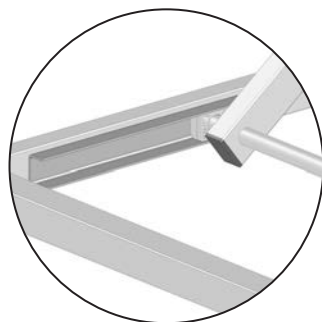
## FORSIKTIG

Ikke utfør noen form for rengjøring eller desinfisering av det mobile stellebordet mens pasienten ligger på det.

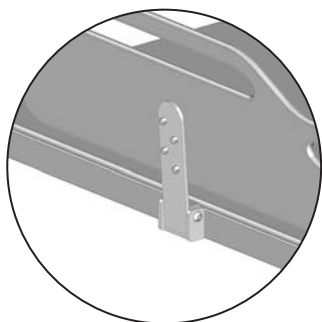
# Vedlikehold

Det anbefales å utføre en vedlikeholdskontroll én gang i året.

## Vedlikeholdskontroll



Smør skinnene minst én gang hver sjetten måned. Bruk næringsmiddelfett.



Kontroller om muttere, skruer eller hengsler har løsnet. Stram til om nødvendig.



Kontroller hjulene for korrosjon. Bytt dem hvis nødvendig.

no

# Elektromagnetisk kompatibilitet



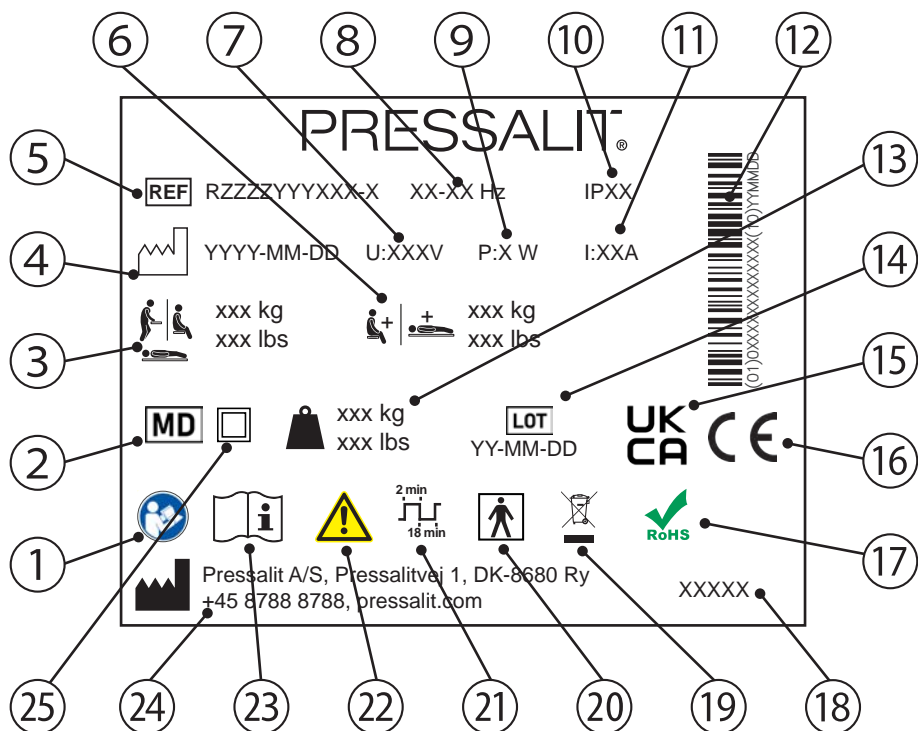
- Bruk av andre tilbehør, transduasere og kabler enn det som er spesifisert eller levert av produsenten, kan føre til økt elektromagnetisk stråling eller redusert elektromagnetisk immunitet for dette utstyret og resultere i feilfunksjon.
- Bærbart RF-kommunikasjonsutstyr (inkludert periferiutstyr som antennekabler og eksterne antenner) bør ikke brukes nærmere enn 30 cm fra noen del av enheten, inkludert kablene, for å unngå redusert ytelse for denne enheten.
- Bruk av dette utstyret ved siden av eller stablet med annet utstyr bør unngås fordi det kan føre til feilfunksjon. Hvis slik bruk er nødvendig, bør dette utstyret og det andre utstyret observeres for å bekrefte at de fungerer normalt.

## Elektromagnetisk immunitet / utslipp

<b>Elektrostatisk utladning</b>	
Teststandard	Immunitetstestnivå
EN 61000-4-2	+ / - 8 kV kontakt , +/- 2, 4, 8, 15 kV luft
<b>Utstrålt RF-elektromagnetisk felt</b>	
Teststandard	Immunitetstestnivå
EN 61000-4-3	15 V/m 80 MHz til 1 GHz, 15 V/m 1,01 GHz il 6 GHz 80 % AM 1 kHz
<b>Elektriske raske transienter / brister</b>	
Teststandard	Immunitetstestnivå
EN 61000-4-4	+/- 1 kV , +/- 2 kV, 100 kHz repetisjonsfrekvens
<b>Immunitet mot spenningstopp</b>	
Teststandard	Immunitetstestnivå
EN 61000-4-5	Linje-til-linje: +/- 0,5 kV, +/-1 kV Linje-til-jord: +/- 0,5 kV, +/-1 kV, +/- 2 kV
<b>Immunitet mot ledningsforstyrrelser induisert av RF-felt</b>	
Teststandard	Immunitetstestnivå
EN 61000-4-6	3 V (6 V i ISM-bånd og amatør radiobånd) 0,15 til 80 MHz, 80 % AM ved 1 kHz

<b>Immunitet til nærhetsfelt fra trådløst RF-kommunikasjonsutstyr</b>	
Teststandard	Immunitetstestnivå
EN 61000-4-3	385 MHz, 27 V/m, 18 Hz PM (50 % arbeidssyklus firkantbølge) 450 MHz, 28 V/m, FM +/- 5 kHz avvik, 1 kHz sinus 710 MHz, 9 V/m, 217 Hz PM (50 % arbeidssyklus firkantbølge) 745 MHz, 9 V/m, 217 Hz PM (50 % arbeidssyklus firkantbølge) 780 MHz, 9 V/m, 217 Hz PM (50 % arbeidssyklus firkantbølge) 810 MHz, 28 V/m, 18 Hz PM (50 % arbeidssyklus firkantbølge) 870 MHz, 28 V/m, 18 Hz PM (50 % arbeidssyklus firkantbølge) 930 MHz, 28 V/m, 18 Hz PM (50 % arbeidssyklus firkantbølge) 1720 MHz, 28 V/m, 217 Hz PM (50 % arbeidssyklus firkantbølge) 1845 MHz, 28 V/m, 217 Hz PM (50 % arbeidssyklus firkantbølge) 1970 MHz, 28 V/m, 217 Hz PM (50 % arbeidssyklus firkantbølge) 2450 MHz, 28 V/m, 217 Hz PM (50 % arbeidssyklus firkantbølge) 5240 MHz, 9 V/m, 217 Hz PM (50 % arbeidssyklus firkantbølge) 5500 MHz, 9 V/m, 217 Hz PM (50 % arbeidssyklus firkantbølge) 5785 MHz, 9 V/m, 217 Hz PM (50 % arbeidssyklus firkantbølge)
<b>Spenningsfall</b>	
Teststandard	Immunitetstestnivå
EN 61000-4-11	0 % U <sub>T</sub> ; 0,5 syklus ved 0°, 45°, 90°, 135°, 180°, 225°, 270° og 315°, 0 % U <sub>T</sub> ; 1 syklus ved 0°, 70 % U <sub>T</sub> ; 25 sykluser ved 0° Énfaset ved 0°
<b>Spenningsavbrudd</b>	
Teststandard	Immunitetstestnivå
EN 61000-4-11	0 % U <sub>T</sub> ; 300 sykluser
<b>Ledet / utstrålt RF-utslipp</b>	
Teststandard	Utslippstestklasse og -gruppe
EN 55011	Klasse B, gruppe 1
<b>Harmoniske strømutslipp</b>	
Teststandard	Utslippstestklasse og -gruppe
IEC 61000-3-2	Klasse A
<b>Spenningsendringer, spenningsvingninger og flimmer</b>	
Teststandard	Utslippstestklasse og -gruppe
EN 61000-3-3	Testet i henhold til standarden.

# Produktetikett



1 Se brukerhåndboken

2 Medisinsk enhet

3 Maksimal brukervekt

4 Produksjonsdato

5 Artikkelnummer

6 Maks. belastning

7 Nettspenning

8 Frekvens

9 Maksimalt strømforbruk

no



⑩ IP-klasse

---

⑪ Elektrisk strøm

---

⑫ GS1-128-strekkode

---

⑬ Produktvekt

---

⑭ Partikode

---

⑮ Samsvar vurdert i Storbritannia

---

Disse produktene er CE-merket i henhold til relevante krav i:

- Forordning (EU) 2017/745 (fra 5. April 2017) om medisinsk utstyr.

⑯

- Rådskdirektiv 2006/42/EF (fra 17. mai 2006) om maskiner.
- Rådskdirektiv 2011/65/EF (fra 8. mai 2011) om RoHS.

Du finner en samsvarserklæring på [pressalit.com](http://pressalit.com)

---

⑰ Dette produktet inneholder ingen av de farlige stoffene som nevnes i rådskdirektiv 2011/65/EF om RoHS.

---

⑱ Produktnavn (hvis dette finnes)

---

⑲

Skal ikke kastes sammen med usortert husholdningsavfall. Dette produktet skal samles inn separat og returneres til den relevante gjenvinningstjenesten.

---

⑳

Anvendt del type BE. Ved normal bruk vil en del av produktet nødvendigvis komme i fysisk kontakt med pasienten, for at produktets funksjon skal kunne utføres. Produktet overholder kravene i IEC 60601-1 angående beskyttelse mot elektrisk støt

---

㉑

Driftssyklus

---

㉒

Se håndboken for viktig sikkerhetsinformasjon som f.eks. advarsler og forholdsregler

---

㉓

Se brukerhåndboken

---

㉔

Navn og adresse til produsent

---

㉕

Dobbeltisolert elektrisk apparat

---

# Oppbevaring og transport

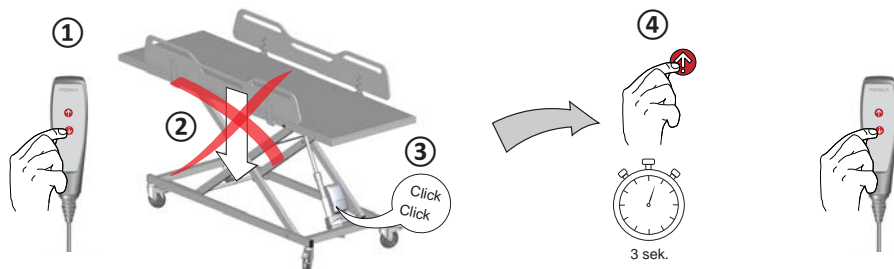
- Temperaturen for transport og oppbevaring av enheten må være mellom -10 og 50 grader Celsius. Hold fuktigheten under 70 %.
- Enheten må alltid transporteres i original emballasje.
- Unngå å utsette emballasjen for støt og slag.
- Bruk aldri produktet hvis emballasjen er defekt eller skadet.

## Feilsøking

Symptom	Årsak	Tiltak
Ingen strøm.	Støpselet er trukket ut.	Sett støpselet tilbake i stikkontakten.
Bordet har problemer med å gå opp/ned og løftmekanismen har en klikkelyd.	Løfteenheten trenger smøring.	Smør løfteenheten. Se <b>Vedlikehold</b> .
	Det kan hende løfteenheten sitter fast.	Se <b>Tilbakestilling</b> .

Kontakt Pressalit A/S eller den lokale forhandleren hvis problemet vedvarer. Ikke prøv å reparere produktet selv, da dette vil gjøre garantien ugyldig. Forventet levetid for det mobile stellebordet er 10 år.



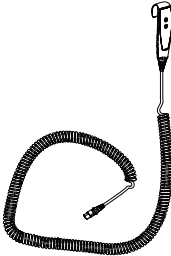



## Tilbakestilling



Hvis enheten sitter fast og ikke vil gå ned, kan du holde inne opp-knappen i 3 sekunder og deretter ned-knappen.



Kontakt Pressalit for en fullstendig liste over tilgjengelige reservedeler.

		Strømledning	Fjernkontroll
	EU/verden	LB0696	 T4361
	UK/IRL	V6336	
	AUS/NZ	T4285	
	US/CAN	LB0688	

## Kassering og gjenvinning

Enheten inneholder materiale som kan gjenvinnes. Det er ingen kjente farer eller risikoer forbundet med avhending av produktet. Alle komponenter kan kasseres når de er blitt rengjort og desinfisert. Når produktet avhendes, anbefaler vi at det demonteres og sorteres i ulike avfallsgrupper for gjenvinning eller forbrenning. Den følgende tabellen gir informasjon om gjenvinning og håndtering av produktet.

Komponenter som kan gjenvinnes	Materiale
Stål	Stål kan gjenvinnes ved at det smeltes ned og inkluderes som et sekundærmateriale ved produksjon av nytt stål.
Plast	Bruk plastsortering og gjenvinningssystemer for plast der dette er tilgjengelig. Hvis slike systemer ikke er tilgjengelige, kan brenning av plast være et alternativ, fordi det kan generere energi som kan brukes til strømproduksjon.
Elektronikk	De elektroniske komponentene skal samles inn separat og returneres til den relevante gjenvinningstjenesten.

no

# Contenido

Símbolos utilizados en este manual .....	149
Seguridad general .....	151
Distancias de seguridad .....	152
Uso previsto .....	153
Perfil de operador previsto .....	153
Perfil de usuario previsto .....	153
Entorno de funcionamiento .....	153
Contraindicaciones de uso .....	154
Biocompatibilidad .....	154
Inflamabilidad .....	154
Instrucciones de funcionamiento .....	155
Frenos de seguridad .....	155
Soportes laterales .....	156
Regulación de la altura .....	157
Traslado .....	158
Accesorios .....	159
Colchón .....	159
Limpieza .....	160
Mantenimiento .....	161
Inspección de mantenimiento .....	161
Compatibilidad electromagnética .....	162
Inmunidad/emisión electromagnética .....	162
Etiqueta del producto .....	164
Almacenamiento y transporte .....	166
Resolución de problemas .....	166
Reajuste .....	166
Eliminación y reciclaje .....	167

# Símbolos utilizados en este manual

Los símbolos siguientes se utilizan en el presente manual y en la documentación complementaria suministrada con el producto.



**ADVERTENCIA** indica una posible situación de peligro que, de no evitarse, podría provocar la muerte o lesiones graves.



**ATENCIÓN** indica una posible situación de peligro que, de no evitarse, podría provocar lesiones leves o moderadas. También puede utilizarse para advertir de prácticas inseguras.



**IMPORTANTE** indica información importante sobre la manipulación y la utilización del producto.



**AVISO** se utiliza para hacer referencia a prácticas no relacionadas con la seguridad personal.



Advertencia de posibles lesiones en la cabeza



Advertencia de posibles lesiones en las manos



Advertencia de posibles lesiones en los genitales



Advertencia de posibles lesiones en los pies



No deje al paciente sin supervisión.



Productos compatibles



Piezas de repuesto



Peso máx. del usuario



Número/Versiones de artículo



Indicación de peso



Información eléctrica

## Seguridad general



### ADVERTENCIA

- Lea todo el manual y asegúrese de entenderlo antes de cualquier uso. Mantenga el manual cerca de la unidad.
- Siga las indicaciones del manual para evitar accidentes que podrían ocasionar daños personales graves.
- No utilice ni manipule nunca el producto de forma distinta a como se especifica en el manual, ya que podría resultar peligroso y provocar daños en el producto.
- Asegúrese de que las personas que vayan a instalar o utilizar el producto y sus sistemas pueden acceder a este manual y disponen de la información necesaria.



### ATENCIÓN

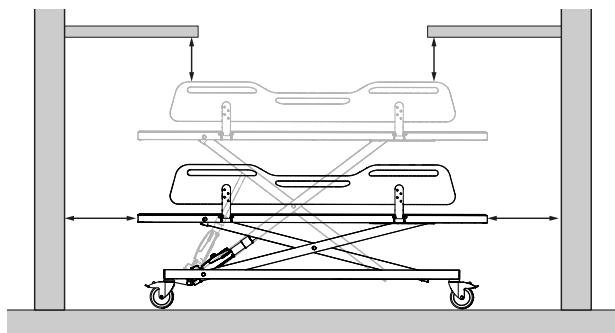
- Siga estas instrucciones para evitar dañar o destruir el producto.
- No lleve a cabo reparaciones ni operaciones de montaje y desmontaje, no instale extensiones ni reajuste o modifique el producto. Todas estas operaciones deben ser realizadas solamente por Pressalit o personas autorizadas por Pressalit.
- No deje nunca que los niños manipulen el producto sin supervisión. El producto no ha sido diseñado para el juego.
- No utilice nunca el producto si está defectuoso o dañado. No utilice nunca un producto defectuoso hasta que haya sido reparado.





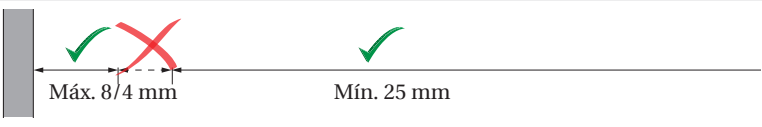

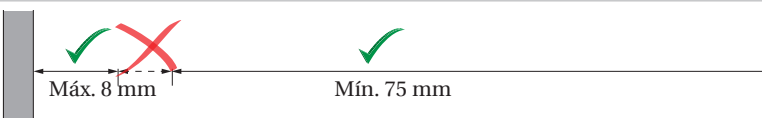

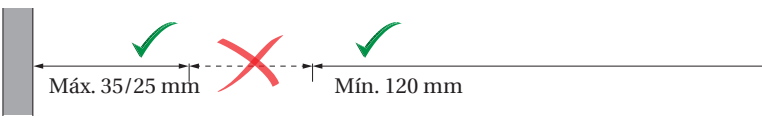
### AVISO

- La información contenida en este manual se basa en el ajuste correcto del producto según nuestras instrucciones de montaje.
- Pressalit no se hace responsable de la utilización del producto de manera diferente a la descrita en la guía.
- Nos reservamos el derecho de modificar este manual sin previo aviso.

# Distancias de seguridad

Asegúrese de que haya una distancia de seguridad entre la unidad y los objetos de alrededor. Compruebe las distancias antes del uso.



ISO 17966:2016			
		Máx. 120/60 mm	Mín. 300 mm
		Máx. 8/4 mm	Mín. 25 mm
		Máx. 8 mm	Mín. 75 mm
		Máx. 35/25 mm	Mín. 120 mm

## **ADVERTENCIA**

Si la unidad se mueve dentro de las distancias de seguridad, exteme el control sobre las personas y los objetos de alrededor para evitar peligros de aplastamiento.



## Uso previsto

Este producto se ha diseñado para ayudar a cambiar a personas que no pueden mantenerse en pie o sentarse. La persona permanece horizontal en la camilla para cambio.

### Perfil de operador previsto

El producto debe utilizarlo únicamente personal formado en asistencia sanitaria y/o en el cambio asistencial.

### Perfil de usuario previsto

El producto puede ser utilizado con cualquier persona —adultos, niños, jóvenes y ancianos— cuyo peso no supere la **carga máxima de 200 kg**.

### Entorno de funcionamiento

La camilla para cambio está diseñada para ser utilizada a temperatura ambiente en vestuarios públicos, escuelas, casas privadas, centros de día/residenciales/cuidado para personas mayores y hospitales en condiciones de trabajo normales.

La camilla para cambio debe ser utilizada en lugares secos y no como camilla de ducha para la ducha. Si la humedad relativa es superior al 70 %, la vida útil de la unidad se reducirá considerablemente. La camilla de cambio no debe exponerse a humos que contengan cloro.

### ATENCIÓN

La superficie del producto puede estar caliente o fría si se expone a fuentes de calor o frío externas, como la luz solar o la escarcha.

### AVISO

Debe informarse al fabricante y a las autoridades sanitarias de cualquier incidente grave que haya ocurrido en relación con el producto. Un incidente grave se define como un incidente que conduce a la muerte de un paciente, usuario o cualquier otra persona, o que provoca un deterioro temporal o permanente en la salud de la persona. Debe informarse de cualquier incidente que haya resultado o tenga el potencial de resultar en un incidente grave.

## **Contraindicaciones de uso**

Si el producto se utiliza en pacientes con la piel dañada, heridas u otras condiciones similares, se recomienda utilizar una toalla como barrera para evitar que las heridas abiertas entren en contacto directo con el sustrato.

## **Biocompatibilidad**

La biocompatibilidad de los materiales en contacto con la piel del usuario durante el uso previsto ha sido evaluada de acuerdo con los procedimientos descritos en la norma DS/EN ISO 10993-1:2020, que implica evaluar los materiales en busca de sustancias nocivas. En base a esta evaluación, los materiales se consideran adecuados para el uso previsto.

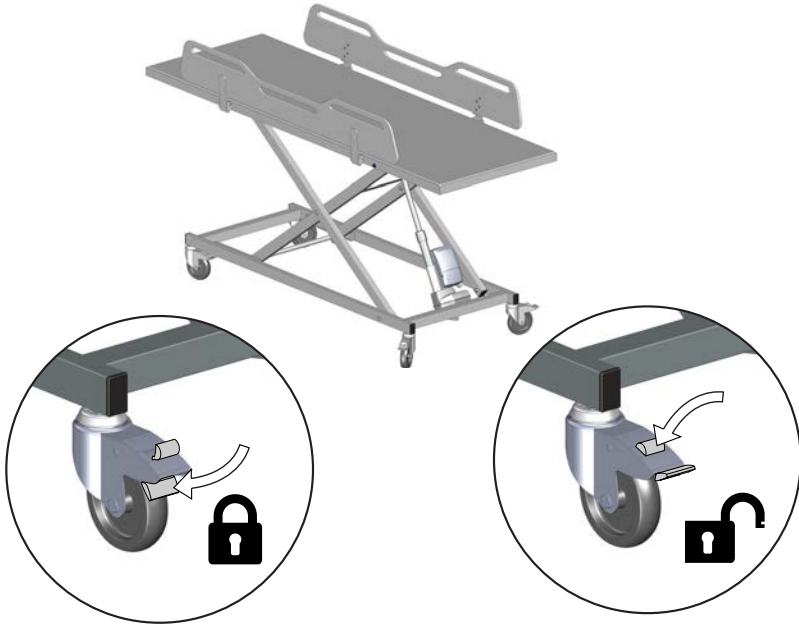
## **Inflamabilidad**

Los materiales del producto se han sometido a pruebas de inflamabilidad de acuerdo con las normas ISO 8191-1:1987 e ISO 8191-2:1988.

# Instrucciones de funcionamiento

## Frenos de seguridad

La camilla de cambio dispone de frenos en las cuatro ruedas para evitar el desplazamiento accidental.



**Para bloquear los frenos:** pise el pedal de bloqueo en cada una de las cuatro ruedas para accionar los frenos.

**Para desbloquear los frenos:** pise el botón de liberación de cada una de las cuatro ruedas para desbloquear los frenos.

es



**Utilice siempre el pie para bloquear o desbloquear las ruedas. Utilice zapatos cerrados y nunca utilice la mano para bloquear o desbloquear las ruedas.**



**ADVERTENCIA**

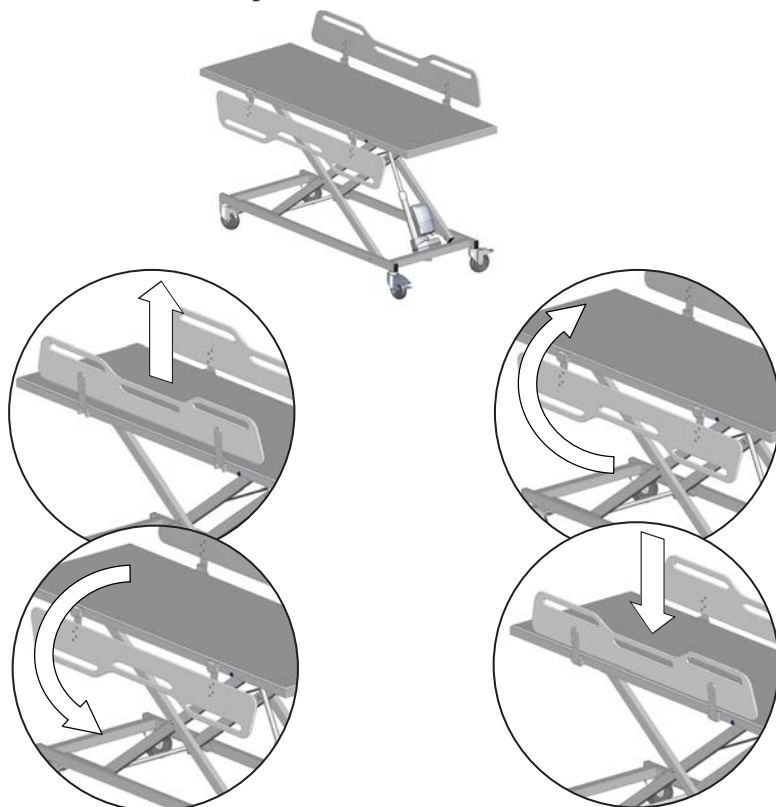
Asegúrese siempre de que los seguros de las cuatro ruedas estén bloqueados antes de subir o bajar a un paciente de la camilla.



**No deje al paciente sin supervisión.**

## Soportes laterales

Los soportes laterales se pueden plegar y desplegar individualmente para facilitar la transferencia del paciente.



**Para desplegar:** levante el soporte lateral para desbloquearlo y gírelo hacia abajo.

**Para plegar:** gire el soporte lateral hacia arriba y presiónelo hacia abajo para bloquearlo en su sitio.



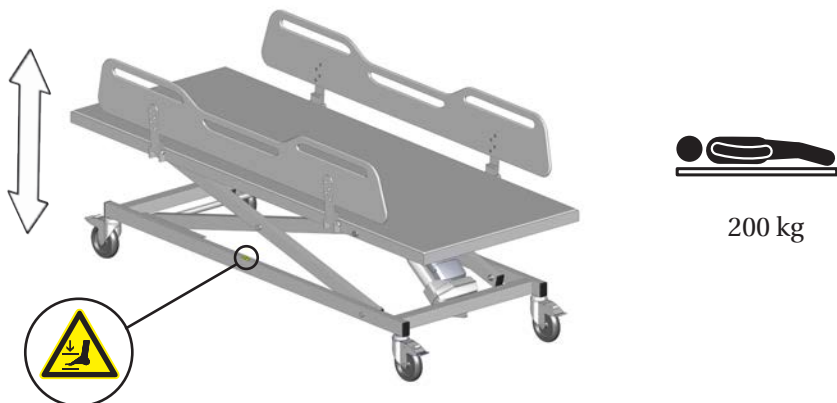
**Cuando bloquee los soportes laterales, extreme la precaución para no pellizcar la mano o los genitales del paciente.**



**ADVERTENCIA**

Cuanto utilice la camilla, mantenga siempre todos los soportes laterales erguidos y bloqueados para evitar que el paciente caiga.

## Regulación de la altura



La camilla para cambio permite una regulación en altura de 500 mm. La altura máxima es de 950 mm. El ajuste de la altura se controla remotamente con una unidad de control remota con cable.



	Pulse y mantenga pulsado el botón de subida para elevar la unidad. El movimiento se detiene al soltar el botón.
	Pulse y mantenga pulsado el botón de bajada para descender la unidad. El movimiento se detiene al soltar el botón.

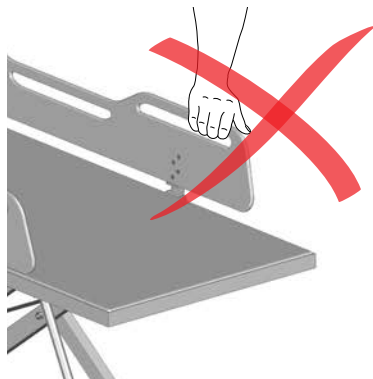
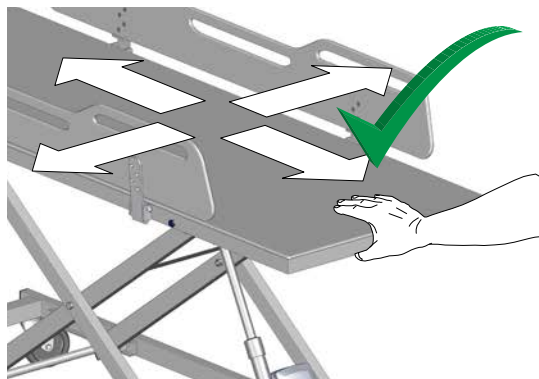
	<p><b>No coloque los pies en el bastidor de cojinetes y tenga especial cuidado con la posibilidad de aplastar los pies, las manos, a los niños u otros objetos al ajustar la altura de la unidad.</b></p>
	<p><b>Preste especial atención para que el cable del control manual no se enrolle alrededor del cuello del paciente de manera que pueda provocar riesgo de asfixia. El control manual con cable debe colocarse en el soporte lateral cuando no se utilice.</b></p>

**ADVERTENCIA**

Nunca permita que los niños permanezcan cerca de la unidad cuando esté ajustada en altura.

## Traslado

Para desplazar la camilla, desbloquee las cuatro ruedas tal y como se describe. Cuando mueva la unidad, sujete la superficie de descanso en lugar de los soportes laterales de la unidad. Extreme la precaución cuando desplace la unidad.



### ADVERTENCIA

Asegúrese de que el cable de alimentación no se enrolle alrededor de los pies del paciente ni de manera que pueda provocar asfixia. Cuando la unidad está en uso, el cable de alimentación debe colocarse en el suelo. Cuando no esté en uso, debe colocarse en el lateral de la unidad.



### ATENCIÓN

Tenga cuidado con el cable de alimentación y asegúrese de no tropezar con el mismo mientras esté en el suelo.

Tenga en cuenta que, aunque el producto se pueda mover, está conectado a una toma de corriente mediante un cable de alimentación. Por tanto, tenga cuidado al desplazar el producto para no dañar la instalación eléctrica o el producto.

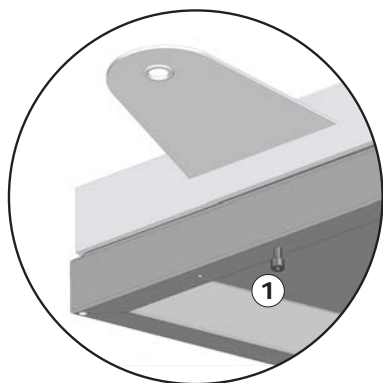
Antes de conectarlo, inspeccione siempre tanto el cable como el enchufe para detectar cualquier indicio de daños. Si detecta cualquier daño, sustituya el cable para evitar el riesgo de descarga eléctrica.

# Accesorios

## Colchón

Puede añadir un colchón a la camilla de cambio para mayor comodidad.

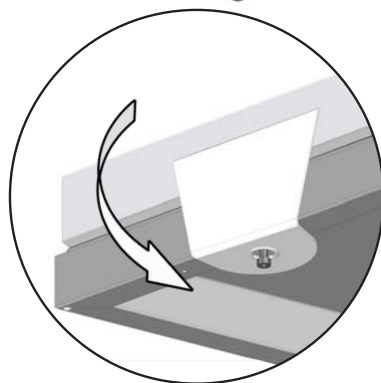
El colchón es reversible y puede utilizarse por ambos lados.



Para montar el colchón, desatornille el tornillo de bloqueo ① un centímetro aproximadamente.

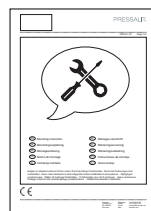
Limpie el producto con agua caliente o con un agente de limpieza jabonoso suave.

Encontrará una lista de agentes limpiadores/desinfectantes probados por Pressalit en [pressaliticare.com](http://pressaliticare.com).



Tire de la solapa del colchón y engánchela en el tornillo. Realice la misma operación con las cuatro solapas.

El colchón incluye instrucciones de montaje, que también pueden descargarse desde [pressalit.com](http://pressalit.com).



es

## IMPORTANTE

Para mantener la higiene, se recomienda comprobar regularmente si existen daños visibles o signos de desgaste en el colchón. Si se encuentran daños, debe sustituir el colchón inmediatamente para evitar cualquier riesgo de contaminación o infección.

## Limpieza

Para limpiar el producto, utilice un paño húmedo bien escurrido, previamente humedecido en una mezcla jabonosa suave, como una solución limpiadora universal.

Tras la limpieza, es esencial secar el producto con un paño suave. Este paso es crucial para evitar la decoloración de los materiales. Además, ayuda a prevenir cualquier posible degradación de la pintura de la superficie. Encontrará una lista de agentes limpiadores/desinfectantes probados por Pressalit en [pressalit.com](http://pressalit.com).

## ATENCIÓN

Lea siempre las instrucciones suministradas del agente limpiador y siga las instrucciones de uso seguro, dilución, aclarado, secado, manipulación y almacenamiento del agente.

## IMPORTANTE

- No aclare con agua ni rocíe con agua directamente el producto.
- No utilice sistemas de autoclave ni ningún otro tipo de limpieza a vapor.
- Evite los agentes limpiadores agresivos que contengan ácido o base.
- Evite el uso de agentes limpiadores abrasivos, corrosivos o que contengan cloro.

## ATENCIÓN

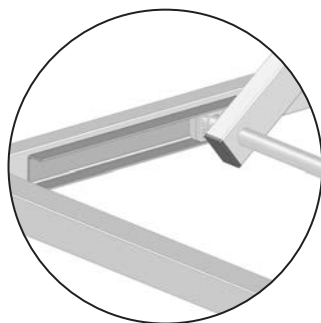
No realice ningún tipo de limpieza ni desinfección de la camilla para cambio mientras el paciente esté acostado sobre ella.



# Mantenimiento

Se recomienda realizar una inspección de mantenimiento anual.

## Inspección de mantenimiento



Lubrique las barras de deslizamiento al menos cada seis meses. Utilice grasa apta para uso alimentario.



Revise si las tuercas, tornillos y visagras pudieran haberse aflojado. Ajustelas si es preciso.



Revise las ruedas para detectar signos de corrosión. Sustitúyalos si es necesario.

# Compatibilidad electromagnética



## ADVERTENCIA

- El uso de accesorios, transductores y cables distintos de los especificados o proporcionados por el fabricante podría provocar un aumento de las emisiones electromagnéticas o una disminución de la inmunidad electromagnética de este equipo y provocar un funcionamiento incorrecto.
- Los equipos de comunicación por RF portátiles (incluidos periféricos como cables de antena o antenas externas) no deben utilizarse a menos de 30 cm de cualquier parte de la unidad, incluidos los cables, para evitar cualquier tipo de degradación del rendimiento de la unidad.
- Debe evitarse el uso del equipo junto a otros equipos, o montado encima o debajo de otros equipos, puesto que podría dejar de funcionar correctamente. Si tal uso es necesario, este equipo y los demás equipos deben ser observados para verificar que funcionan con normalidad.

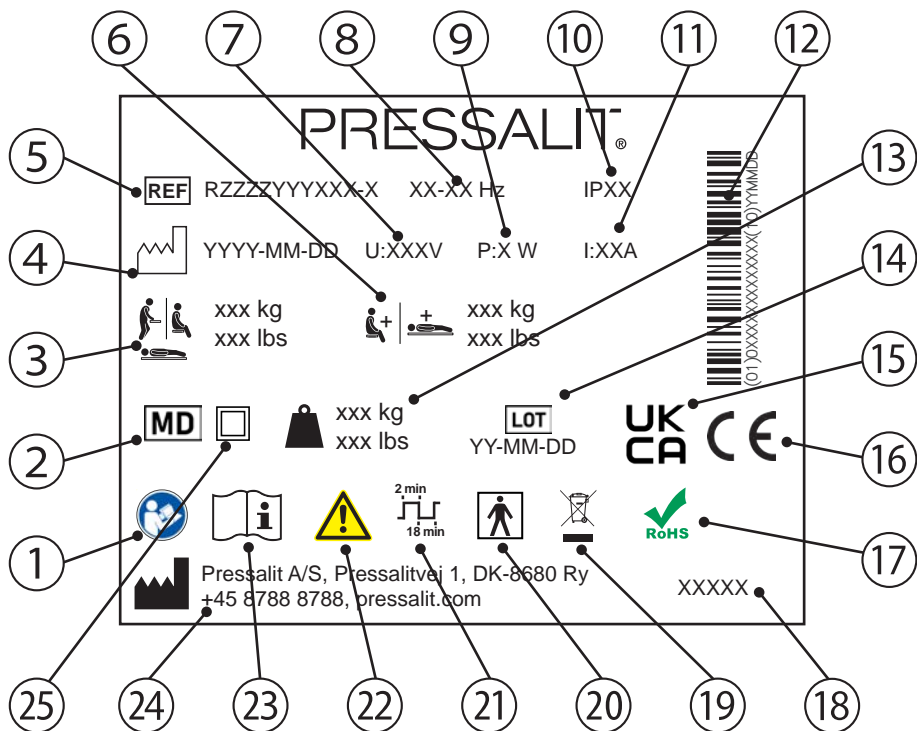
## Inmunidad/emisión electromagnética

<b>Descarga electrostática</b>	
Normativa de prueba	Nivel de prueba de inmunidad
EN 61000-4-2	+/- 8 kV por contacto, +/- 2, 4, 8, 15 kV en el aire
<b>Campo electromagnético de RF radiado</b>	
Normativa de prueba	Nivel de prueba de inmunidad
EN 61000-4-3	15 V/m, de 80 MHz a 1 GHz; 15 V/m, de 1,01 GHz a 6 GHz 80 % AM 1 kHz
<b>Transitorios/Ráfagas eléctricos rápidos</b>	
Normativa de prueba	Nivel de prueba de inmunidad
EN 61000-4-4	+/- 1 kV, +/- 2 kV, frecuencia de repetición de 100 kHz
<b>Inmunidad a sobretensiones</b>	
Normativa de prueba	Nivel de prueba de inmunidad
EN 61000-4-5	Línea a línea: +/- 0,5 kV, +/- 1 kV Línea a tierra: +/- 0,5 kV, +/- 1 kV, +/- 2 kV
<b>Inmunidad a alteraciones conducidas inducidas por campos de RF</b>	
Normativa de prueba	Nivel de prueba de inmunidad
EN 61000-4-6	3 V (6 V en bandas ISM y bandas de radioaficionados) de 0,15 a 80 MHz, 80 % AM a 1 kHz

**Inmunidad a campos de proximidad de equipos de comunicación inalámbrica por RF**

Normativa de prueba	Nivel de prueba de inmunidad
EN 61000-4-3:	
385 MHz, 27 V/m, 18 Hz PM (onda cuadrada de ciclo de trabajo del 50 %)	
450 MHz, 28 V/m, desviación FM +/- 5 kHz, onda sinusoidal de 1 kHz	
710 MHz, 9 V/m, 217 Hz PM (onda cuadrada de ciclo de trabajo del 50 %)	
745 MHz, 9 V/m, 217 Hz PM (onda cuadrada de ciclo de trabajo del 50 %)	
780 MHz, 9 V/m, 217 Hz PM (onda cuadrada de ciclo de trabajo del 50 %)	
810 MHz, 28 V/m, 18 Hz PM (onda cuadrada de ciclo de trabajo del 50 %)	
870 MHz, 28 V/m, 18 Hz PM (onda cuadrada de ciclo de trabajo del 50 %)	
930 MHz, 28 V/m, 18 Hz PM (onda cuadrada de ciclo de trabajo del 50 %)	
1720 MHz, 28 V/m, 217 Hz PM (onda cuadrada de ciclo de trabajo del 50 %)	
1845 MHz, 28 V/m, 217 Hz PM (onda cuadrada de ciclo de trabajo del 50 %)	
1970 MHz, 28 V/m, 217 Hz PM (onda cuadrada de ciclo de trabajo del 50 %)	
2450 MHz, 28 V/m, 217 Hz PM (onda cuadrada de ciclo de trabajo del 50 %)	
5240 MHz, 9 V/m, 217 Hz PM (onda cuadrada de ciclo de trabajo del 50 %)	
5500 MHz, 9 V/m, 217 Hz PM (onda cuadrada de ciclo de trabajo del 50 %)	
5785 MHz, 9 V/m, 217 Hz PM (onda cuadrada de ciclo de trabajo del 50 %)	
<b>Caídas de tensión</b>	
Normativa de prueba	Nivel de prueba de inmunidad
EN 61000-4-11	0 % U <sub>T</sub> ; 0,5 ciclos a 0°, 45°, 90°, 135°, 180°, 225°, 270° y 315°, 0 % U <sub>T</sub> ; 1 ciclo a 0°, 70 % U <sub>T</sub> ; 25 ciclos a 0° Monofásico a 0°
<b>Interrupciones de voltaje</b>	
Normativa de prueba	Nivel de prueba de inmunidad
EN 61000-4-11	0 % U <sub>T</sub> ; 300 ciclos
<b>Emisión de RF radiada/conducida</b>	
Normativa de prueba	Clase y grupo de prueba de emisiones
EN 55011	Clase B, grupo 1
<b>Emisiones de corrientes armónicas</b>	
Normativa de prueba	Clase y grupo de prueba de emisiones
IEC 61000-3-2	Clase A
<b>Cambios de voltaje, fluctuaciones de voltaje y parpadeo</b>	
Normativa de prueba	Clase y grupo de prueba de emisiones
EN 61000-3-3	Probado según la normativa.

# Etiqueta del producto



1 Consulte el manual de uso.

2 Producto sanitario

3 Peso máximo del usuario

4 Fecha de fabricación

5 Número de artículo

6 Carga máxima

7 Voltaje

8 Frecuencia

9 Consumo máximo de energía

⑩ Clase IP

---

⑪ Corriente eléctrica

---

⑫ Código de barras GS1-128

---

⑬ Indicación de peso

---

⑭ Código de lote

---

⑮ Conformidad evaluada del Reino Unido

---

Estos productos cuentan con marcado CE de conformidad con los requisitos incluidos en:

- Reglamento (UE) 2017/745 (del 5 de abril de 2017) sobre productos sanitarios.

⑯ • Directiva 2006/42/CE del Consejo (del 17 de mayo de 2006) sobre maquinaria.

- Directiva 2011/65/CE del Consejo (del 8 de junio de 2011) sobre RoHS.

Puede encontrar la declaración de conformidad en [pressalit.com](http://pressalit.com)

---

⑰ Este producto no contiene sustancias peligrosas mencionadas en la Directiva 2011/65/CE del Consejo sobre RoHS.

---

⑱ Nombre del producto (si hay)

---

⑲ No deseche el producto como residuo urbano no clasificado. El producto debería recogerse por separado y ser trasladado al centro de reciclaje designado.

---

⑳ Pieza aplicada de tipo BF. Parte del producto entra en contacto físico con el paciente durante su uso normal. El producto cumple los requisitos de la normativa IEC 60601-1 para garantizar la protección frente a descargas eléctricas.

---

㉑ Ciclo de trabajo

---

㉒ Consulte el manual para conocer la información de precaución importante como las advertencias y las precauciones.

---

㉓ Consulte el manual de uso.

---

㉔ Nombre y dirección del fabricante

---

㉕ Aparato eléctrico con aislamiento doble

---

# Almacenamiento y transporte

- La temperatura para el transporte y el almacenamiento de la unidad debe estar comprendida entre  $-10$  y  $50$  C. Mantenga la humedad por debajo del 70 %.
- La unidad debe transportarse siempre en el embalaje original.
- Evite golpes y sacudidas al embalaje.
- No utilice el producto si el embalaje está roto o dañado.

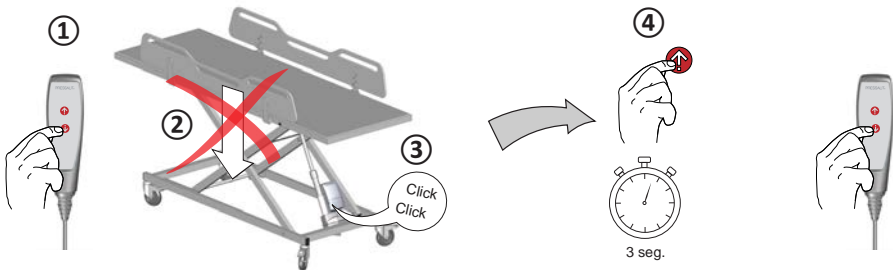
# Resolución de problemas

Síntoma	Causa	Acción
Sin energía.	El enchufe de alimentación se ha desconectado.	Vuelva a conectar el enchufe de alimentación a la toma de corriente.
La camilla presenta dificultad para subirla y/o bajarla, y el mecanismo de elevación emite un chasquido.	La unidad de elevación necesita lubricación.	Lubrique la unidad de elevación. Consulte el apartado <b>Mantenimiento</b> .
	La unidad de elevación puede estar atascada.	Consulte el apartado <b>Reajuste</b> .

es

Póngase en contacto con Pressalit A/S o su distribuidor local si no logra solucionar el problema. No intente reparar el producto usted mismo, ya que anularía la garantía. La vida útil estimada de la camilla para cambio es de 10 años.



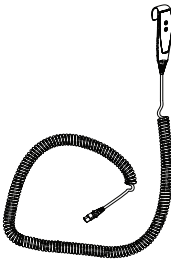



## Reajuste



Si la unidad está atascada y no baja, presione el botón de subida durante 3 segundos y, a continuación, el botón de bajada.



Póngase en contacto con Pressalit para obtener un listado completo de las piezas de repuesto disponibles.

		Cable de alimentación	Control remoto
	EU/world	LB0696	 T4361
	UK/IRL	V6336	
	AUS/NZ	T4285	
	US/CAN	LB0688	

## Eliminación y reciclaje

La unidad contiene materiales reutilizables. No se conocen peligros o riesgos relacionados con la eliminación del producto. Todos los componentes pueden ser desechados una vez limpiados y desinfectados. Para eliminar el producto, se recomienda desmontarlo y separar sus piezas en diferentes grupos de residuos para su reciclaje o combustión. En la siguiente tabla encontrará información sobre el reciclaje y la gestión del producto.

Componentes reciclables	Material
Acero	El acero puede reciclarse mediante fundición e incluirse en un material secundario para la producción de acero nuevo.
Plásticos	Utilice sistemas de clasificación y reciclaje de plástico disponibles localmente. Si este tipo de sistemas no está disponible, existe la opción de la incineración de residuos plásticos, que además genera energía que puede emplearse para la producción de electricidad.
Componentes electrónicos	Los componentes electrónicos deberían recogerse por separado y ser trasladados al centro de reciclaje designado.

# Contenuto

Simboli utilizzati in questo manuale.....	169
Indicazioni generali di sicurezza .....	171
Distanze di sicurezza.....	172
Uso previsto .....	173
Profilo dell'operatore previsto.....	173
Profilo dell'utente previsto .....	173
Ambiente di utilizzo.....	173
Controindicazioni.....	174
Biocompatibilità.....	174
Infiammabilità.....	174
Istruzioni per l'uso .....	175
Freni di sicurezza .....	175
Sponde di sicurezza .....	176
Regolazione dell'altezza .....	177
Movimentazione.....	178
Accessori .....	179
Materassino .....	179
Pulizia.....	180
Manutenzione .....	181
Ispezione di manutenzione .....	181
Compatibilità elettromagnetica .....	182
Immunità / Emissione elettromagnetica .....	182
Etichetta del prodotto.....	184
Stoccaggio e trasporto.....	186
Risoluzione dei problemi .....	186
Ripristino .....	186
Smaltimento e riciclaggio.....	187



# Simboli utilizzati in questo manuale

In questo manuale e nella relativa documentazione fornita con il prodotto vengono utilizzati i simboli descritti in basso.



**AVVERTENZA:** indica una situazione potenzialmente pericolosa che, se non evitata, potrebbe causare morte o gravi lesioni.



**ATTENZIONE:** indica una situazione potenzialmente pericolosa che, se non evitata, può provocare lesioni lievi o moderate. Questo simbolo viene usato anche per mettere in guardia da pratiche non sicure.



**IMPORTANTE:** indica informazioni importanti relative alla gestione e all'uso del prodotto.



**AVVISO:** è usato per indicare pratiche non legate alla sicurezza personale.



Avvertenza: pericolo di lesioni alla testa



Avvertenza di pericolo lesioni alle mani



Avvertenza: pericolo di lesioni agli organi genitali



Avvertenza: pericolo di lesioni ai piedi



Non lasciare il paziente incustodito.



Prodotti compatibili



Parti di ricambio



Peso massimo dell'utilizzatore



Codice articolo/versioni



Peso del prodotto



Dati elettrici

## Indicazioni generali di sicurezza

### **AVVERTENZA**

- Leggere e comprendere a fondo il manuale prima dell'uso. Conservare il manuale in prossimità dell'unità.
- Attenersi alle indicazioni fornite nel presente manuale per evitare incidenti associati a gravi lesioni personali.
- Non utilizzare o maneggiare il prodotto in modi diversi da quelli specificati nel presente manuale; in caso contrario, si rischia di mettere a repentaglio la propria sicurezza e di danneggiare il prodotto.
- Accertarsi che tutti coloro che devono installare o utilizzare il prodotto e i suoi sistemi dispongano delle informazioni necessarie e abbiano accesso al presente manuale.

### **ATTENZIONE**

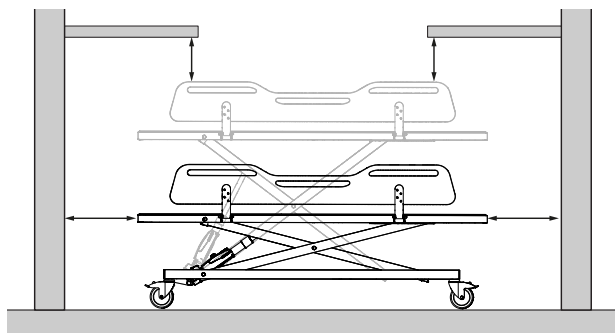
- Attenersi alle presenti istruzioni per evitare che il prodotto venga danneggiato o distrutto.
- Non eseguire riparazioni, operazioni di smontaggio o montaggio, estensioni, regolazioni o modifiche al prodotto. Tali operazioni devono essere eseguite esclusivamente da Pressalit o da persone autorizzate da Pressalit.
- Non consentire ai bambini di utilizzare questo prodotto se non supervisionati. Il prodotto non è un gioco.
- Non utilizzare mai il prodotto se è difettoso o danneggiato. Non utilizzare un prodotto difettoso prima che sia stato riparato.



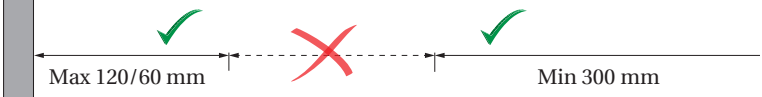






### **AVVISO**

- Le informazioni contenute in questo manuale si basano sulla corretta installazione del prodotto in conformità alle nostre istruzioni di montaggio.
- Pressalit non può essere ritenuta responsabile se il prodotto viene utilizzato in modo diverso da quello descritto nella guida.
- Ci riserviamo il diritto di modificare il presente manuale senza obbligo di preavviso.

## Distanze di sicurezza

Assicurarsi che l'unità sia a distanza di sicurezza dagli oggetti circostanti. Controllare le distanze prima di ogni utilizzo.



ISO 17966:2016			
			
			
			
			

### **AVVERTENZA**

Se l'unità si muove nel rispetto delle distanze di sicurezza, è necessario prestare particolare attenzione alle persone e agli oggetti circostanti per evitare rischi di schiacciamento.

## Uso previsto

Questo prodotto è inteso come ausilio per la svestizione e la cura di una persona che non è in grado di alzarsi o sedersi in autonomia. La persona viene sdraiata orizzontalmente sulla barella per cambio di indumenti.

## Profilo dell'operatore previsto

L'uso di questo prodotto deve essere limitato al personale formato nell'assistenza sanitaria e/o nelle cure per l'igiene di persone poste sotto la loro tutela.

## Profilo dell'utente previsto

Il prodotto può essere utilizzato per chiunque, compresi adulti, bambini, giovani, anziani, il cui peso non superi la **portata massima di 200 kg**.

## Ambiente di utilizzo

La barella per cambio di indumenti è destinata all'uso a temperatura ambiente in locali dedicati all'igiene della persona pubblici, scuole, case private, strutture diurne/residenziali/con assistenza infermieristica e in ospedali in condizioni di lavoro normali.

La barella per cambio di indumenti deve essere utilizzata in ambienti asciutti e non come lettino per doccia in presenza di acqua. Se l'umidità relativa è superiore al 70%, la durata prevista dell'unità si riduce notevolmente. La barella per cambio di indumenti non deve essere esposta a fumi contenenti cloro.



## ATTENZIONE

La superficie del prodotto può diventare calda o fredda se esposta a fonti esterne di calore o freddo, come la luce del sole o il gelo.

## AVVISO

Eventuali incidenti gravi verificatisi in relazione al prodotto devono essere segnalati al produttore e alle autorità sanitarie. Per incidente grave si intende un incidente che provoca il decesso di un paziente, di un utilizzatore o di qualsiasi altra persona, o che causa un peggioramento temporaneo o permanente della salute della persona. È obbligatorio segnalare qualsiasi situazione che abbia provocato o possa provocare un incidente grave.

## **Controindicazioni**

Se il prodotto viene utilizzato per pazienti che presentano cute danneggiata, ferite o altre condizioni simili, si raccomanda di stendere un asciugamano come barriera per evitare che ferite aperte entrino in contatto diretto con il substrato.

## **Biocompatibilità**

La biocompatibilità dei materiali che entrano in contatto con la cute dell'utilizzatore durante l'uso previsto è stata valutata secondo le procedure descritte nella norma DS/EN ISO 10993-1:2020, che prevede la valutazione dei materiali per le sostanze nocive. Sulla base di questa valutazione, i materiali sono considerati idonei all'uso previsto.

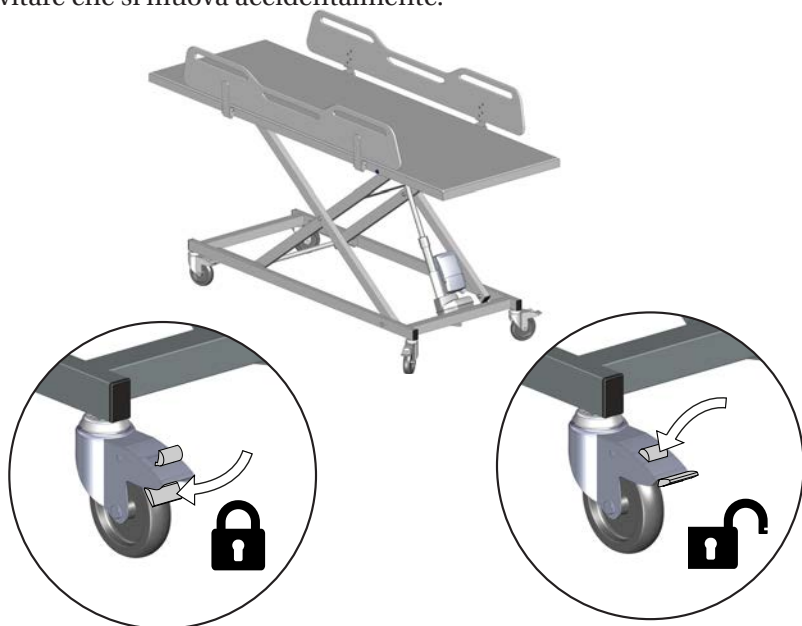
## **Infiammabilità**

I materiali del prodotto sono stati sottoposti a test di infiammabilità in conformità alle norme ISO 8191-1:1987 e ISO 8191-2:1988.

# Istruzioni per l'uso

## Freni di sicurezza

La barella per cambio di indumenti è dotata di freni su tutte e quattro le ruote per evitare che si muova accidentalmente.



**Per bloccare i freni:** premere il pedale di blocco su tutte e quattro le ruote per inserire i freni.

**Per sbloccare i freni:** premere il pulsante di sblocco su tutte e quattro le ruote per sbloccare i freni.



Utilizzare sempre il piede per bloccare o sbloccare le ruote. Indossare scarpe chiuse; non utilizzare mai la mano per bloccare o sbloccare le ruote.

### **AVVERTENZA**

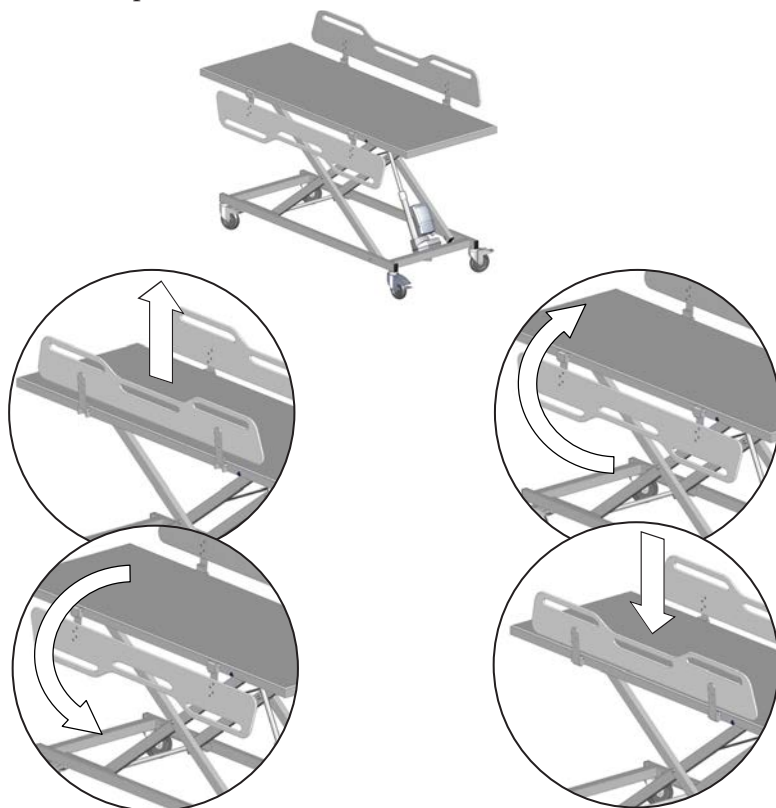
Verificare sempre che i blocchi su tutte e quattro le ruote siano saldamente inseriti prima di trasferire un paziente sulla barella o di spostarlo su un altro ausilio.



Non lasciare il paziente incustodito.

## Sponde di sicurezza

Le sponde di sicurezza possono essere ripiegate singolarmente per facilitare il trasferimento del paziente.



**Per ripiegare:** sollevare la sponda di sicurezza verso l'alto per sbloccarla e abbassarla.

**Per inserire:** sollevare la sponda di sicurezza e spingerla verso il basso per bloccarla in posizione.



Quando si bloccano le sponde di sicurezza, fare attenzione a non schiacciare la mano o i genitali del paziente.

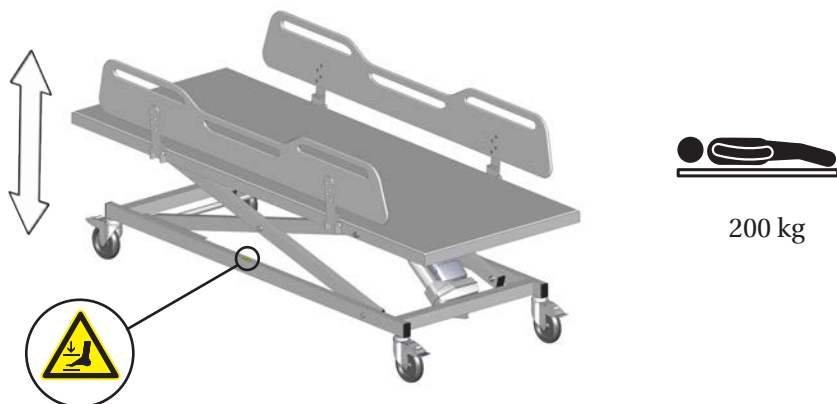


**AVVERTENZA**

Durante l'uso della barella, tenere sempre tutte le sponde di sicurezza in posizione verticale e bloccate per evitare che il paziente cada.







## Regolazione dell'altezza



La barella per cambio di indumenti può essere sollevata o abbassata di 500 mm. L'altezza massima è di 950 mm. La regolazione dell'altezza è controllata dal telecomando a filo.



	Tenere premuto il pulsante con la freccia su per sollevare l'unità. Quando si rilascia il pulsante, il movimento si arresta.
	Tenere premuto il pulsante con la freccia giù per abbassare l'unità. Quando si rilascia il pulsante, il movimento si arresta.

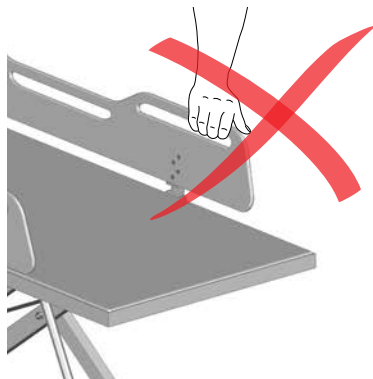
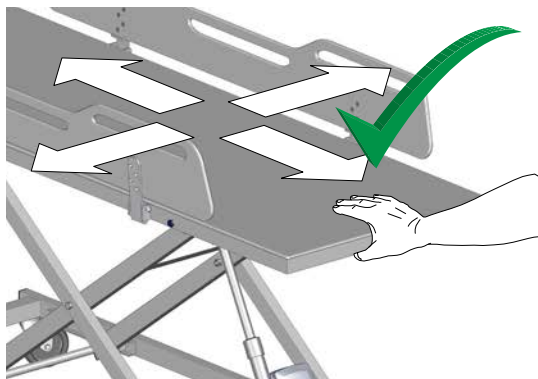
	Non appoggiare i piedi sulla struttura portante e prestare particolare attenzione al potenziale pericolo di schiacciamento di piedi, mani, bambini o altri oggetti durante la regolazione dell'altezza dell'unità.
	Il cavo del telecomando non si avvolge intorno al collo del paziente e non costituisce un rischio di soffocamento. Il telecomando con cavo deve essere fissato alla sponda di sicurezza quando non in uso.

 **AVVERTENZA**

Tenere lontano i bambini quando si regola l'altezza dell'unità.

## Movimentazione

Per movimentare la barella, sbloccare tutte e quattro le ruote come descritto. Quando si movimentata l'unità, aggrapparsi alla base di appoggio e non alle sponde di sicurezza. Movimentare l'unità prestando la massima attenzione.



### AVVERTENZA

Verificare che il cavo di alimentazione non sia avvolto intorno ai piedi del paziente o posizionato in modo tale da provocarne il soffocamento. Quando l'unità è in uso, il cavo di alimentazione deve essere appoggiato sul pavimento; quando non è in uso, deve essere posizionato a lato dell'unità.



### ATTENZIONE

Fare attenzione al cavo di alimentazione per evitare di inciampare quando si trova sul pavimento.

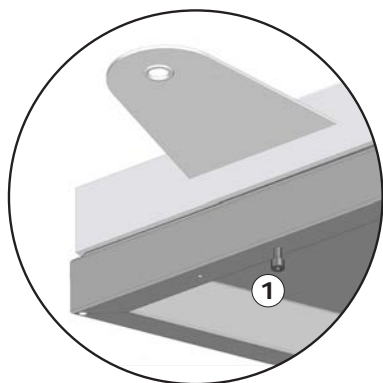
Anche se è possibile spostare il prodotto, è importante ricordare che è collegato a una presa di corrente con un cavo di alimentazione. Pertanto, fare attenzione quando si sposta il prodotto per evitare di danneggiare l'impianto elettrico o il prodotto stesso.

Prima di collegare il prodotto alla presa di corrente, controllare sempre che il cavo e la spina non presentino danni. Se si riscontrano danni, sostituire il cavo per evitare il rischio di scosse elettriche.

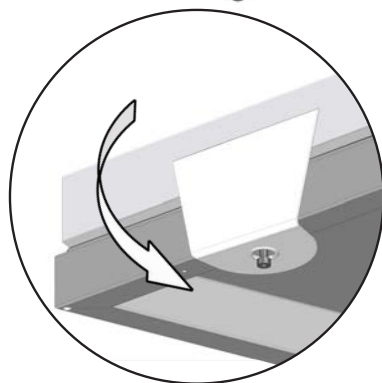
# Accessori

## Materassino

È possibile aggiungere un materassino alla barella per cambio di indumenti per offrire un maggiore comfort alla persona. Il materassino è reversibile e può essere utilizzato su entrambi i lati.



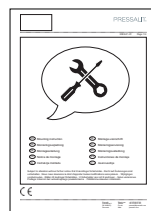
Per montare il materassino, svitare la vite di bloccaggio ① di circa un centimetro.



Abbassare il lembo del materassino sopra la vite. Procedere allo stesso modo con tutti e quattro i lembi.

Il prodotto deve essere pulito con acqua calda o con un detergente delicato e sapone. Un elenco di detergenti/disinfettanti idonei testati da Pressalit è disponibile sul sito [pressalit.com](http://pressalit.com).

Le istruzioni di montaggio sono incluse nel materassino e possono essere scaricate dal sito [pressalit.com](http://pressalit.com).



## IMPORTANTE

Per motivi di igiene, si raccomanda di controllare regolarmente se il materassino presenta danni visibili o segni di usura. Se si riscontrano danni, il materassino deve essere sostituito immediatamente per evitare qualsiasi rischio di contaminazione o infezione.

## Pulizia

Per pulire il prodotto, utilizzare un panno umido strizzato in una miscela di sapone delicato, ad esempio una soluzione detergente universale. Dopo la pulizia, è fondamentale passare il prodotto con un panno asciutto e morbido. Questa fase è essenziale per evitare che lo scolorimento dei materiali. Inoltre, aiuta a prevenire il potenziale deterioramento della vernice in superficie.

Un elenco di detergenti/disinfettanti idonei testati da Pressalit è disponibile sul sito [pressalit.com](http://pressalit.com).



## ATTENZIONE

Leggere sempre le istruzioni fornite con il detergente e attenersi alle indicazioni per l'uso, la diluizione, il risciacquo, l'asciugatura, la manipolazione e lo stoccaggio in sicurezza dell'agente in questione.

## IMPORTANTE

- Non risciacquare o spruzzare acqua direttamente sul prodotto.
- Non utilizzare autoclave o altro tipo di pulitore a vapore.
- Evitare detergenti aggressivi contenenti acidi o basi.
- Evitare l'uso di detergenti abrasivi, caustici o a base di cloro.



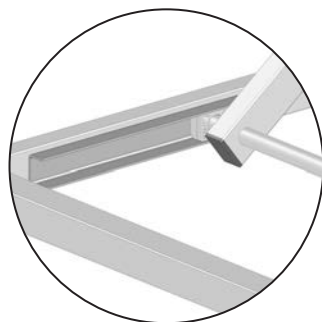
## ATTENZIONE

Se il paziente è sdraiato sulla barella per cambio di indumenti, non effettuare alcun tipo di pulizia o disinfezione dell'ausilio.

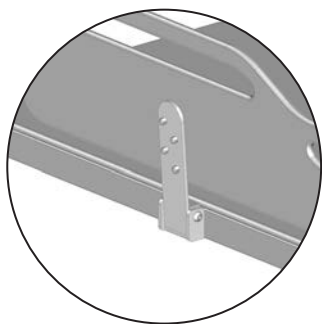
# Manutenzione

Si raccomanda di eseguire un'ispezione di manutenzione a cadenza annuale.

## Ispezione di manutenzione



Lubrificare le guide di scorrimento almeno ogni sei mesi. Utilizzare un grasso per alimenti.



Controllare tutti i dadi, le viti e le cerniere per verificare se si sono allentati. Se necessario, serrarle.



Controllare che le ruote non siano corrose. Se necessario, sostituirle.

# Compatibilità elettromagnetica



## AVVERTENZA

- L'uso di accessori, trasduttori e cavi diversi da quelli specificati o forniti dal produttore potrebbe causare un aumento delle emissioni elettromagnetiche o una riduzione dell'immunità elettromagnetica di questa apparecchiatura e provocare un funzionamento improprio.
- Le apparecchiature di comunicazione RF portatili (comprese le periferiche come i cavi di antenna e le antenne esterne) devono essere utilizzate a una distanza non inferiore a 30 cm da qualsiasi parte dell'unità, compresi i suoi cavi, per evitare un degrado delle prestazioni dell'unità.
- Il posizionamento di altre apparecchiature accanto o sopra questa apparecchiatura potrebbe causare un funzionamento improprio. Se tale posizionamento è necessario, osservare questa e le altre apparecchiature per verificare che funzionino normalmente.

## Immunità / Emissione elettromagnetica

<b>Scariche elettrostatiche</b>	
Standard della prova	Livello di prova dell'immunità
EN 61000-4-2	+/- 8 kV a contatto, +/- 2, 4, 8, 15 kV in aria
<b>Campo elettromagnetico RF irradiato</b>	
Standard della prova	Livello di prova dell'immunità
EN 61000-4-3	15 V/m, da 80 MHz a 1 GHz, 15 V/m da 1,01 GHz a 6 GHz 80% AM 1 kHz
<b>Transitori elettrici veloci/burst</b>	
Standard della prova	Livello di prova dell'immunità
EN 61000-4-4	+/- 1 kV, +/- 2 kV, frequenza di ripetizione 100 kHz
<b>Immunità agli impulsi</b>	
Standard della prova	Livello di prova dell'immunità
EN 61000-4-5	Da linea a linea: +/- 0,5 kV, +/- 1 kV Da linea a terra: +/- 0,5 kV, +/- 1 kV, +/- 2 kV
<b>Immunità ai disturbi condotti indotti dai campi RF</b>	
Standard della prova	Livello di prova dell'immunità
EN 61000-4-6	3 V (6 V nelle bande ISM e nelle bande radioamatoriali) Da 0,15 a 80 MHz, 80% AM a 1 kHz

**Immunità ai campi di prossimità provenienti da apparecchiature di comunicazione RF wireless**

Standard della prova	Livello di prova dell'immunità
----------------------	--------------------------------

EN 61000-4-3:

385 MHz, 27 V/m, 18 Hz PM (onda quadra con 50% ciclo di lavoro)  
450 MHz, 28 V/m, FM +/- 5 kHz di deviazione, 1 kHz sinusoidale  
710 MHz, 9 V/m, 217 Hz PM (onda quadra con 50% ciclo di lavoro)  
745 MHz, 9 V/m, 217 Hz PM (onda quadra con 50% ciclo di lavoro)  
780 MHz, 9 V/m, 217 Hz PM (onda quadra con 50% ciclo di lavoro)  
810 MHz, 28 V/m, 18 Hz PM (onda quadra con 50% ciclo di lavoro)  
870 MHz, 28 V/m, 18 Hz PM (onda quadra con 50% ciclo di lavoro)  
930 MHz, 28 V/m, 18 Hz PM (onda quadra con 50% ciclo di lavoro)  
1720 MHz, 28 V/m, 217 Hz PM (onda quadra con 50% ciclo di lavoro)  
1845 MHz, 28 V/m, 217 Hz PM (onda quadra con 50% ciclo di lavoro)  
1970 MHz, 28 V/m, 217 Hz PM (onda quadra con 50% ciclo di lavoro)  
2450 MHz, 28 V/m, 217 Hz PM (onda quadra con 50% ciclo di lavoro)  
5240 MHz, 9 V/m, 217 Hz PM (onda quadra con 50% ciclo di lavoro)  
5500 MHz, 9 V/m, 217 Hz PM (onda quadra con 50% ciclo di lavoro)  
5785 MHz, 9 V/m, 217 Hz PM (onda quadra con 50% ciclo di lavoro)

**Cali di tensione**

Standard della prova	Livello di prova dell'immunità
----------------------	--------------------------------

EN 61000-4-11	0% UT; 0,5 cicli a 0°, 45°, 90°, 135°, 180°, 225°, 270° e 315°, 0% UT; 1 ciclo a 0°, 70% UT; 25 cicli a 0° Monofase a 0°
---------------	---

**Interruzioni di tensione**

Standard della prova	Livello di prova dell'immunità
----------------------	--------------------------------

EN 61000-4-11	0% UT; 300 cicli
---------------	------------------

**Emissione RF condotta / irradiata**

Standard della prova	Classe e gruppo di prova delle emissioni
----------------------	--

EN 55011	Classe B, gruppo 1
----------	--------------------

**Emissioni di correnti armoniche**

Standard della prova	Classe e gruppo di prova delle emissioni
----------------------	--

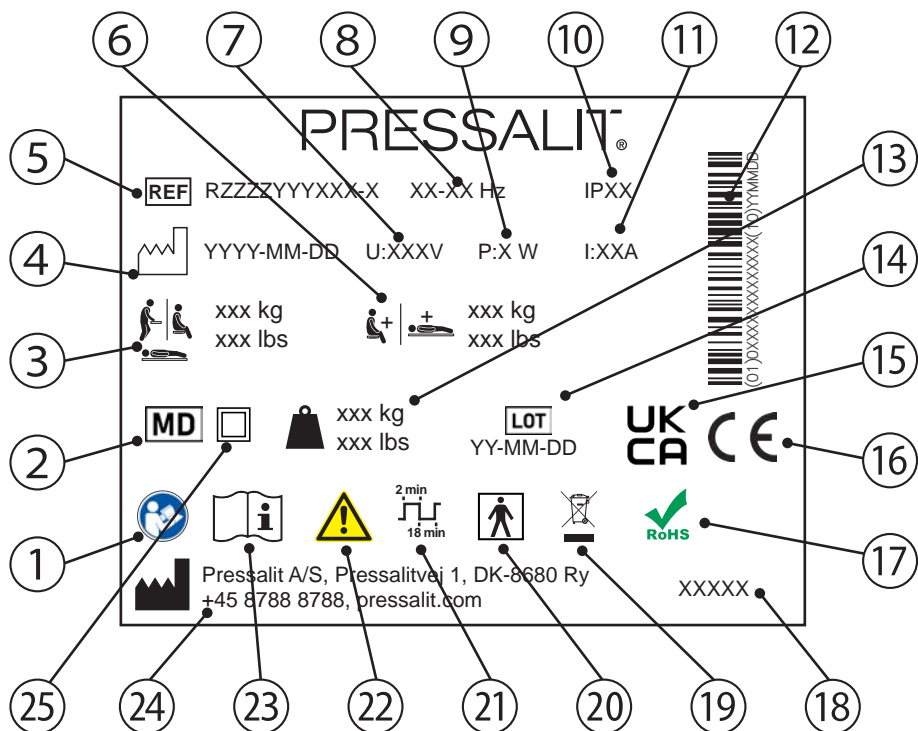
IEC 61000-3-2	Classe A
---------------	----------

**Variazioni di tensione, fluttuazioni di tensione e sfarfallio**

Standard della prova	Classe e gruppo di prova delle emissioni
----------------------	--

EN 61000-3-3	Testato secondo lo standard.
--------------	------------------------------

# Etichetta del prodotto



- ① Consultare il manuale d'uso

---

- ② Dispositivo medico

---

- ③ Peso massimo dell'utilizzatore

---

- ④ Data di produzione

---

- ⑤ Codice articolo

---

- ⑥ Portata massima

---

- ⑦ Tensione di rete

---

- ⑧ Frequenza

---

- ⑨ Consumo energetico massimo



⑩ Classe IP

---

⑪ Corrente elettrica

---

⑫ Codice a barre GS1-128

---

⑬ Peso del prodotto

---

⑭ Codice lotto

---

⑮ Conformità britannica comprovata

---

Questi prodotti sono dotati di marchio CE in conformità ai requisiti applicabili relativi a:

- Regolamento (UE) 2017/745 (5 aprile 2017) relativo ai dispositivi medici.
- Direttiva 2006/42/CE del Consiglio (del 17 maggio 2006) relativa alle macchine.
- Direttiva (RoHS) 2011/65/CE del Consiglio (dell'8 giugno 2011).

La dichiarazione di conformità è disponibile sul sito [pressalit.com](http://pressalit.com)

---

⑰ Questo prodotto non contiene nessuna delle sostanze pericolose menzionate nella Direttiva (RoHS) 2011/65/CE del Consiglio.

---

⑱ Nome del prodotto (se presente)

---

⑲ Non smaltire come rifiuto urbano indifferenziato. Il prodotto deve essere raccolto separatamente e consegnato al servizio di riciclaggio designato.

---

⑳ Parte applicata di tipo BF: parte del prodotto che, in condizioni normali di utilizzo, entra necessariamente in contatto fisico con il paziente per svolgere la propria funzione. Il prodotto è conforme ai requisiti della norma IEC 60601-1 per la protezione dalle scosse elettriche.

---

㉑ Ciclo di lavoro

---

㉒ Consultare il manuale per informazioni di sicurezza importanti, quali avvertenze e precauzioni.

---

㉓ Consultare il manuale d'uso

---

㉔ Nome e indirizzo del fabbricante

---

㉕ Apparecchio elettrico a doppio isolamento

---

## Stoccaggio e trasporto

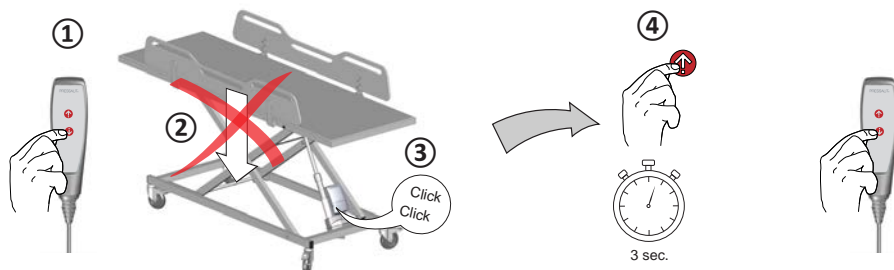
- La temperatura di trasporto e stoccaggio dell'unità deve essere compresa tra -10 °C e 50 °C. Mantenere l'umidità al di sotto del 70%.
- L'unità deve essere sempre trasportata utilizzando l'imballaggio originale.
- Evitare di sottoporre l'imballaggio a urti e colpi.
- Non utilizzare il prodotto se l'imballaggio è rotto o danneggiato.

## Risoluzione dei problemi

Sintomo	Causa	Azione
Assenza di alimentazione.	La spina di alimentazione è stata estratta.	Reinserire la spina nella presa.
Abbassare e alzare la barella risulta difficoltoso e il meccanismo di sollevamento produce uno scatto.	L'unità di sollevamento non è lubrificata.	Lubrificare l'unità di sollevamento. Vedere <b>Manutenzione</b> .
	L'unità di sollevamento potrebbe essere bloccata.	Vedere <b>Ripristino</b> .

Se non è possibile risolvere il problema, contattare Pressalit A/S o il proprio rivenditore di zona. Per non invalidare la garanzia non tentare di riparare il prodotto in autonomia. La durata prevista della barella per cambio di indumenti è di 10 anni.



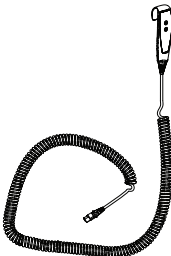



## Ripristino



Se l'unità è bloccata e non scende, premere il pulsante con freccia su per 3 secondi e poi il pulsante freccia giù.



Contattare Pressalit per un elenco completo delle parti di ricambio disponibili.

		Cavo di alimentazione	Telecomando
	UE/Resto del mondo	LB0696	 T4361
	UK/IRL	V6336	
	AUS/NZ	T4285	
	USA/CAN	LB0688	

## Smaltimento e riciclaggio

L'unità contiene materiali riutilizzabili. Non sono noti pericoli o rischi associati allo smaltimento del prodotto. Tutti i componenti possono essere smaltiti dopo essere stati puliti e disinfettati. Quando si smaltisce il prodotto, si consiglia di smontarlo e di suddividerlo a seconda della tipologia di rifiuto da destinare al riciclaggio o alla combustione. La seguente tabella fornisce informazioni sul riciclaggio e la gestione del prodotto.

<b>Componenti riciclabili</b>	<b>Materiale</b>
Acciaio	L'acciaio può essere riciclato mediante fusione e incluso come materiale secondario nella produzione di nuovo acciaio.
Plastica	Se disponibili a livello locale, utilizzare sistemi di selezione e riciclaggio della plastica. Se non sono disponibili sistemi di questo tipo, è possibile prendere in considerazione l'incenerimento dei rifiuti di plastica come alternativa dato che il processo può contribuire alla produzione di energia.
Elettronica	I componenti elettronici devono essere raccolti separatamente e consegnati al servizio di riciclaggio designato.

it

# Sisältö

Tässä oppaassa käytetyt symbolit .....	189
Yleinen turvallisuus .....	191
Turvaetäisyydet .....	192
Käyttötarkoitus .....	193
Hoitajan profiili .....	193
Käyttäjän profiili .....	193
Käyttöympäristö .....	193
Käytön vasta-aiheet .....	194
Biosopeutuvuus .....	194
Syttyvyys .....	194
Käyttöohjeet .....	195
Turvajarrut .....	195
Sivutuet .....	196
Korkeuden säätö .....	197
Siirtäminen .....	198
Lisävarusteet .....	199
Patja .....	199
Puhdistus .....	200
Huolto .....	201
Huoltotarkastus .....	201
Sähkömagneettinen yhteensopivuus .....	202
Sähkömagneettinen häiriönsieto .....	202
Tuotetarra .....	204
Varastointi ja kuljetus .....	206
Vianmääritys .....	206
Nollaus .....	206
Hävittäminen ja kierrätys .....	207

# Tässä oppaassa käytetyt symbolit

Tässä oppaassa ja tuotteen mukana toimitetuissa ohjeissa käytetään seuraavia symboleja.



**VAROITUS** viittaa mahdollisesti vaaralliseen tilanteeseen, joka voi johtaa kuolemaan tai vakavaan loukkaantumiseen, jos sitä ei vältetä.



**HUOMAUTUS** viittaa mahdollisesti vaaralliseen tilanteeseen, joka voi johtaa lievään tai kohtalaiseen loukkaantumiseen, jos sitä ei vältetä. Sitä voidaan käyttää myös varoittamaan vaarallisista käytännöistä.



**TÄRKEÄÄ** viittaa tärkeisiin tietoihin tuotteen käsittelystä ja käytöstä.



**HUOMAA**-merkintää käytetään sellaisten käytäntöjen käsittelyyn, jotka eivät liity henkilökohtaiseen turvallisuuteen.



Päävamman varoitus



Käsivamman varoitus



Sukupuolielinvamman varoitus



Jalkavamman varoitus



Älä jätä potilasta ilman valvontaa.



Yhteensopivat tuotteet



Varaosat



Käyttäjän enimmäispaino



Artikkelin numero/versiot



Tuotteen paino



Sähkötiedot

# Yleinen turvallisuus

## **VAROITUS**

- Lue ja ymmärrä käyttöohje huolellisesti ennen käyttöä. Pidä käyttöopas lähellä laitetta.
- Noudata tätä käyttöohjetta, jotta vältät onnettomuudet, myös vakavat henkilövahingot.
- Älä koskaan käytä tai käsittele tuotetta muulla kuin tässä käyttöohjeessa mainitulla tavalla, sillä se voi vaarantaa turvallisuutesi ja vahingoittaa tuotetta.
- Varmista, että kaikilla tuotteen käyttäjillä ja sen järjestelmien asentajilla on tarvittavat tiedot ja pääsy tähän käyttöohjeeseen.

## **HUOMAUTUS**

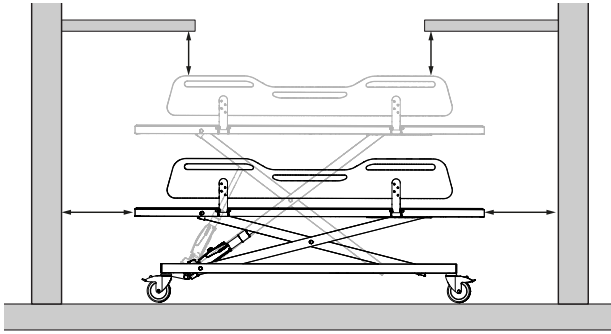
- Noudata näitä ohjeita, jotta tuote ei vahingoitu tai tuhoudu.
- Älä tee tähän tuotteeseen korjaus-, purku- tai kokoonpanotoimenpiteitä, laajennuksia, säätöjä tai muutoksia. Ne on annettava ainoastaan Pressalitin tai Pressalitin valtuuttamien henkilöiden tehtäväksi.
- Älä koskaan anna lasten käyttää tätä tuotetta ilman valvontaa. Tuotetta ei ole tarkoitettu leikkimiseen.
- Älä koskaan käytä tuotetta, jos se on viallinen tai vaurioitunut. Älä käytä viallista tuotetta ennen kuin se on korjattu.















## **HUOMAA**

- Tämän käyttöohjeen tiedot perustuvat asennusohjeidemme mukaisesti oikein asennettuun tuotteeseen.
- Pressalit ei ole vastuussa, jos tuotetta käytetään tavalla, joka poikkeaa oppaassa kuvatusta.
- Pidätämme oikeuden muuttaa tätä käyttöohjetta ilman ennakoilmoitusta.

# Turvaetäisyydet

Varmista, että yksikkö on turvallisella etäisyydellä ympäröivistä esineistä. Tarkista etäisyydet ennen käyttöä.



ISO 17966:2016		 / 	
		Enintään 120/60 mm Enintään 4,72/2,36 tuumaa	 Vähintään 300 mm Vähintään 11,81 tuumaa
		Enintään 8/4 mm Enintään 0,31/0,16 tuumaa	 Vähintään 25 mm Vähintään 0,98 tuumaa
		Enintään 8 mm Enintään 0,31 tuumaa	 Vähintään 75 mm Vähintään 2,95 tuumaa
		Enintään 35/25 mm Enintään 1,38/0,98 tuumaa	 Vähintään 120 mm Vähintään 4,72 tuumaa

## VAROITUS

Jos yksikkö liikkuu turvaetäisyydellä, sinun on tarkkailtava ympäröiviä ihmisiä ja esineitä erityisen tarkasti, jotta vältetään puristumisvaara.



# Käyttötarkoitus

Tämä tuote on tarkoitettu sellaisen henkilön vaatteiden vaihtamiseen, joka ei pysty seisomaan tai istumaan. Henkilö makaa vaatteiden vaihtovaunussa.

## Hoitajan profiili

Tätä tuotetta saa käyttää vain henkilökunta, jolla on terveydenhuollon koulutus ja/tai kokemusta hoitamansa henkilön vaatteiden vaihdosta.

## Käyttäjän profiili

Tuotetta voivat käyttää niin aikuiset, lapset, nuoret kuin vanhatkin, joiden paino ei ylitä **200 kg:n enimmäiskuormaa**.

## Käyttöympäristö

Vaatteiden vaihtovaunu on tarkoitettu käytettäväksi huoneenlämmössä julkisissa pukeutumistiloissa, kouluissa, yksityiskodeissa, päivä-/ asuin- ja muissa hoitotiloissa sekä sairaaloissa normaaleissa työolosuhteissa. Vaatteiden vaihtovaunua voidaan käyttää kuivissa tiloissa, ei suihkupöytänä suihkuissa. Jos suhteellinen kosteus on yli 70 %, yksikön odotettu käyttöikä lyhenee merkittävästi. Vaatteiden vaihtovaunua ei saa altistaa klooria sisältäville höyryille.



## HUOMAUTUS

Tuotteen pinta voi kuumentua tai kylmetä, jos se altistuu ulkoisille lämmön- tai kylmänlähteille, kuten auringonvalolle tai pakkaselle.

## HUOMAA

Tuotteeseen liittyvistä vakavista vaaratilanteista on ilmoitettava valmistajalle ja terveysviranomaisille.

Vakavalla vaaratilanteella tarkoitetaan vaaratilannetta, joka johtaa potilaan, käyttäjän tai muun henkilön kuolemaan tai tilapäiseen tai pysyvään terveydentilan heikkenemiseen. Kaikista vaaratilanteista, jotka ovat johtaneet tai voivat johtaa vakavaan vaaratilanteeseen, on tehtävä ilmoitus.

## **Käytön vasta-aiheet**

Jos tuotetta käytetään potilailla, joilla on vaurioitunut iho, haavoja tai muuta vastaavaa, on suositeltavaa käyttää pyyhettä suojana, jotta avohaavat eivät joudu suoraan kosketukseen alustan kanssa.

## **Biosopeutuvuus**

Aiotun käytön aikana käyttäjän ihon kanssa kosketuksiin joutuvien materiaalien biosopeutuvuus on arvioitu standardissa DS/EN ISO 10993-1:2020 esitettyjen menettelyjen mukaisesti, mikä sisältää materiaalien haitallisten aineiden arvioinnin. Tämän arvioinnin perusteella materiaalit katsotaan käyttötarkoitukseensa sopiviksi.

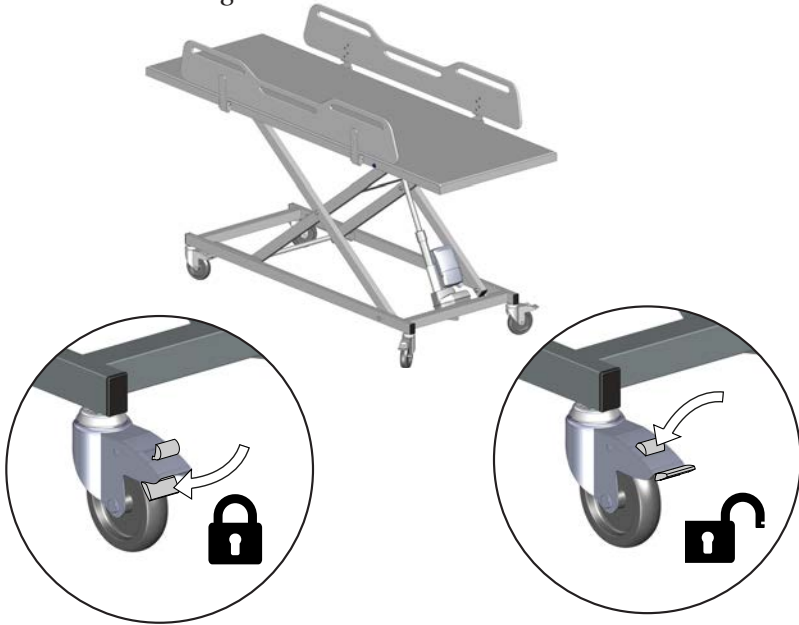
## **Syttyvyys**

Tuotemateriaaleille on tehty syttyvyystestit standardien ISO 8191-1:1987 ja ISO 8191-2:1988 mukaisesti.

# Käyttöohjeet

## Turvajarrut

Vaatteiden vaihtovaunussa on jarrut kaikissa neljässä pyörässä, jotta se ei pääse liikkumaan vahingossa.



**Jarrujen lukitseminen:** Kytke jarrut painamalla lukituspoljinta kaikissa neljässä pyörässä.

**Jarrujen lukituksen vapauttaminen:** Vapauta jarrut painamalla vapautuspainiketta kaikissa neljässä pyörässä.



**Käytä aina jalkaa pyörien lukitsemiseen tai lukituksen vapauttamiseen. Käytä umpikärkisiä jalkineita äläkä koskaan käytä kättä pyörien lukitsemiseen tai lukituksen vapauttamiseen.**

**VAROITUS**

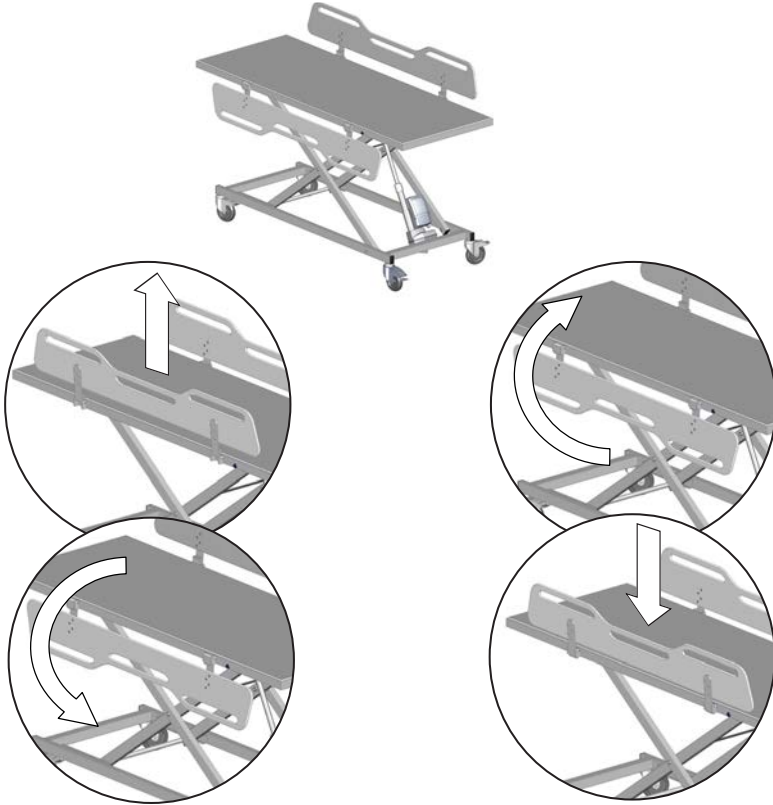
Varmista aina, että kaikkien neljän pyörän lukot on lukittu kunnolla, ennen kuin siirrät potilaan vaunuun tai vaunusta.



**Älä jätä potilasta ilman valvontaa.**

## Sivutuet

Sivutuet voidaan taittaa ylös ja alas yksitellen potilaan siirtämisen helpottamiseksi.



**Alas taittaminen:** Avaa sivutuen lukitus nostamalla sitä ylöspäin ja käännä se alas.

**Ylös taittaminen:** Käännä sivutukea ylöspäin ja lukitse se paikalleen painamalla sitä alaspäin.

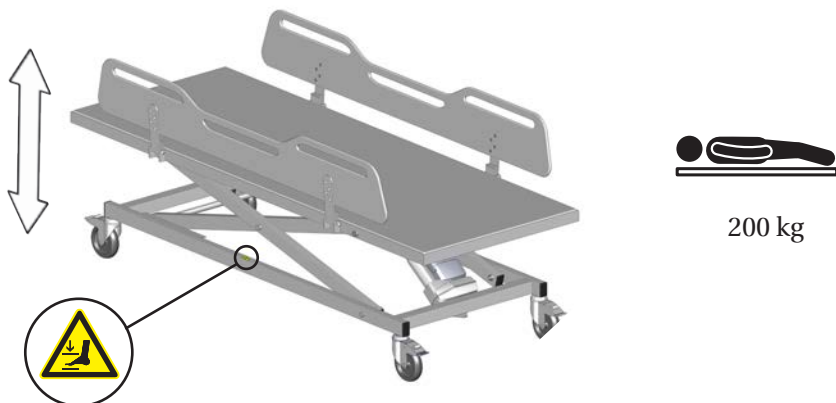


**Kun lukitset sivutukia, varo, etteivät potilaan käsi tai sukupuolielimet jää puristuksiin.**

**VAROITUS**



Pidä aina kaikki sivutuet pystyasennossa ja lukittuina, kun käytät vaunua, jotta potilas ei putoa siitä.



## Korkeuden säätö



Vaatteiden vaihtovaunua voidaan säätää 500 mm ylös- ja alaspäin. Enimmäiskorkeus on 950 mm. Korkeudensäätöä ohjataan langallisella kaukosäätimellä.



	Nosta yksikköä pitämällä ylös-painiketta painettuna. Kun painike vapautetaan, liike pysähtyy.
	Laske yksikköä pitämällä alas-painiketta painettuna. Kun painike vapautetaan, liike pysähtyy.

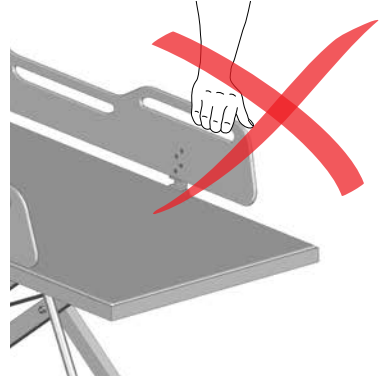
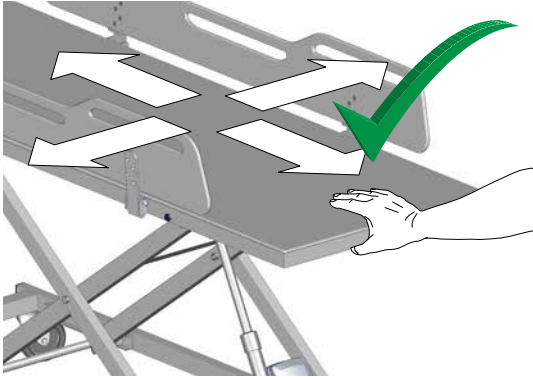
	<b>Älä aseta jalkaasi rungon päälle ja ole erityisen varovainen, etteivät jalat, kädet, lapset tai esineet jää puristuksiin, kun säädät yksikön korkeutta.</b>
	<b>Varo, ettei säätimen johto kietoudu potilaan kaulan ympärille ja aiheuta tukehtumisvaaraa. Langallinen kaukosäädin on asetettava sivutukeen, kun sitä ei käytetä.</b>

 **VAROITUS**

Älä anna lasten olla yksikön lähellä, kun sen korkeutta säädetään.

## Siirtäminen

Voit siirtää vaunua avaamalla kaikkien neljän pyörän lukituksen edellä kuvatulla tavalla. Tartu itse makuualustaan, älä sivutukiin, kun siirrät yksikköä. Ole varovainen liikuttaessasi yksikköä.



### **VAROITUS**

Varmista, ettei virtajohto ole kietoutunut potilaan jalkojen ympärille tai ettei se voi aiheuttaa tukehtumisvaaraa. Kun yksikkö on käytössä, virtajohto tulee asettaa lattialle, ja kun se ei ole käytössä, se tulee sijoittaa yksikön sivulle.

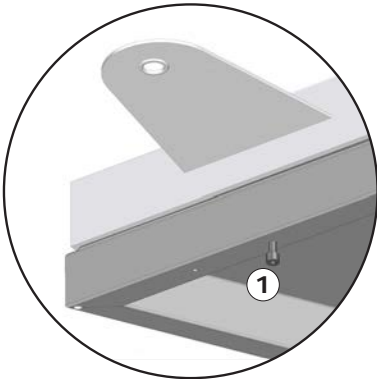
### **HUOMAUTUS**

Varo virtajohtoa ja varmista, ettei siihen voi kompastua, kun se on lattialla. Huomaa, että vaikka yksikköä voidaan siirtää, se on kytketty pistorasiaan virtajohdolla. Ole siis varovainen siirtäessäsi yksikköä, jotta sähkölaitteet tai itse tuote eivät vahingoitu. Tarkista aina virtajohto ja pistoke vaurioiden varalta ennen pistokkeen kytkemistä. Jos havaitset vaurioita, vaihda johto sähköiskuvaaran välttämiseksi.

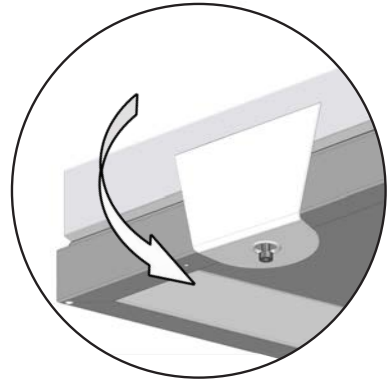
# Lisävarusteet

## Patja

Voit lisätä vaatteiden vaihtovaunuun patjan käyttömukavuuden lisäämiseksi. Patja on käännettävissä, ja sen kumpaakin puolta voidaan käyttää.



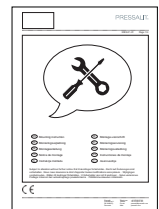
Aseta patja paikalleen avaamalla lukitusruuvia ① noin senttimetrin verran.



Vedä patjan läppä alas ruuvin päälle. Tee samoin kaikilla neljällä läpällä.

Tuote on puhdistettava kuumalla vedellä tai miedolla saippuapitoisella puhdistusaineella. Luettelo sopivista Pressalitin testaamista puhdistus-/desinfiointiaineista löytyy osoitteesta [pressalit.com](http://pressalit.com).

Patjan mukana tulee asennusohje, jonka voi myös ladata osoitteesta [pressalit.com](http://pressalit.com).



## TÄRKEÄÄ

Hygieniasyistä on suositeltavaa tarkistaa patjan mahdolliset näkyvät vauriot tai kulumisen merkit säännöllisesti. Jos vaurioita havaitaan, patja on vaihdettava välittömästi kontaminaatio- tai infektiotaaran välttämiseksi.

## Puhdistus

Puhdista tuote miettoon saippuaseokseen, kuten yleispuhdistusaineeseen, kostutetulla liinalla.

Puhdistamisen jälkeen tuote on pyyhittävä kuivalla, pehmeällä liinalla. Tämä on tärkeää materiaalien värjäytymisen estämiseksi. Lisäksi se auttaa estämään pintamaalin heikkenemisen.

Luettelo sopivista Pressalitin testaamista puhdistus-/desinfointiaineista löytyy osoitteesta [pressalit.com](http://pressalit.com).



## HUOMAUTUS

Lue aina mukana toimitetut puhdistusohjeet ja noudata näitä ohjeita aineen turvallisen käytön, laimentamisen, huuhtelun, kuivauksen, käsittelyn ja varastoinnin osalta.

## TÄRKEÄÄ

- Älä huuhtele tuotetta tai suihkuta vettä suoraan sen päälle.
- Älä käytä autoklaavia tai muuta höyrypuhdistinta.
- Vältä happoa tai emästä sisältäviä voimakkaita puhdistusaineita.
- Vältä hankaavien, syövyttävien tai klooripohjaisten puhdistusaineiden käyttöä.



## HUOMAUTUS

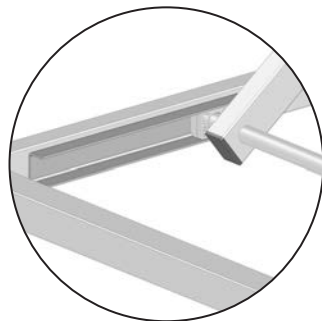
Älä puhdista tai desinfioi vaatteiden vaihtovaunua, kun siinä on potilas.



# Huolto

Huoltotarkastus suositellaan tehtäväksi kerran vuodessa.

## Huoltotarkastus



Voitele liukukiskot vähintään kuuden kuukauden välein. Käytä elintarvikerasvaa.



Tarkista, ovatko mutterit, ruuvit ja saranat löystyneet. Kiristä tarvittaessa.



Tarkista, onko pyörissä ruostetta. Vaihda ne tarvittaessa.

# Sähkömagneettinen yhteensopivuus



- Muiden kuin valmistajan määrittämien tai toimittamien lisävarusteiden, antureiden ja kaapeleiden käyttö voi lisätä tämän laitteen häiriönpäästöä tai heikentää sähkömagneettista häiriönsietoa ja johtaa virheelliseen toimintaan.
- Kannettavia radiotaajuusviestintälaitteita (mukaan lukien oheislaitteet, kuten antennikaapelit ja ulkoiset antennit) tulee käyttää vähintään 30 cm:n etäisyydellä kaikista yksikön osista, myös sen johdoista, jotta laitteen suorituskyky ei heikkene.
- Tämän laitteen käyttö muiden laitteiden vieressä tai päällä on kiellettyä, koska se voi johtaa virheelliseen toimintaan. Jos tällainen käyttö on tarpeen, tätä laitetta ja muita laitteita on tarkkailtava normaalin toiminnan varmistamiseksi.

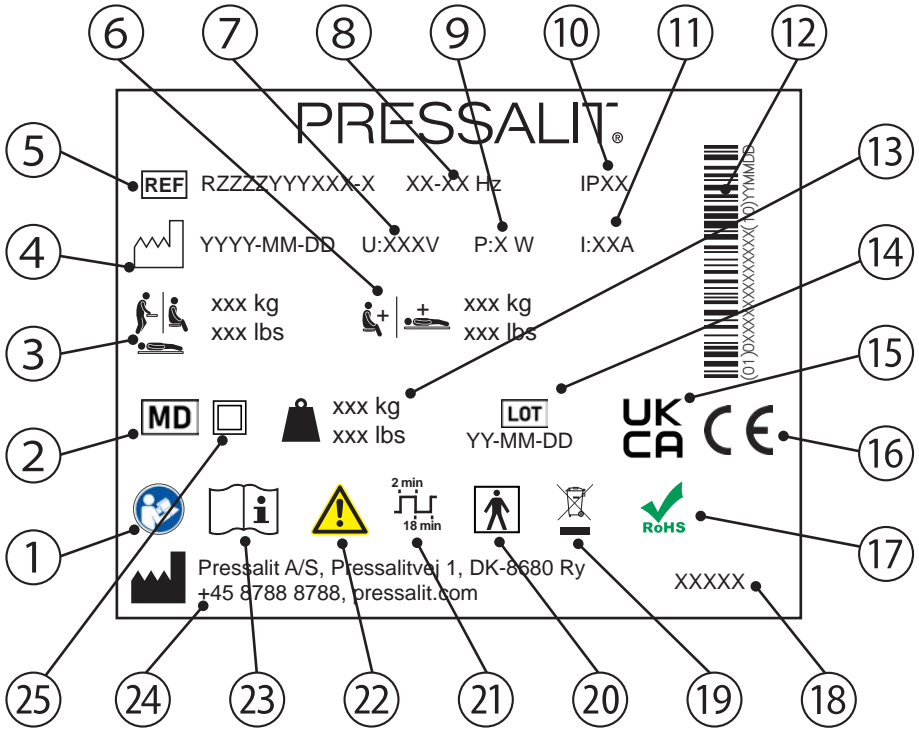
## Sähkömagneettinen häiriönsieto

<b>Sähköstaattinen purkaus</b>	
Testistandardi	Häiriönsietotestin taso
EN 61000-4-2	+/- 8 kV kontakti, +/- 2, 4, 8, 15 kV ilma
<b>Säteilty radiotaajuinen sähkömagneettinen kenttä</b>	
Testistandardi	Häiriönsietotestin taso
EN 61000-4-3	15 V/m 80 MHz – 1 GHz, 15 V/m 1,01 GHz – 6 GHz 80 % AM 1 kHz
<b>EFT-transientti/-purkaus</b>	
Testistandardi	Häiriönsietotestin taso
EN 61000-4-4	+/- 1 kV, +/- 2 kV, 100 kHz:n toistotaajuus
<b>Ylijännitesuojaus</b>	
Testistandardi	Häiriönsietotestin taso
EN 61000-4-5	Linjasta linjaan: +/- 0,5 kV, +/- 1 kV Linjasta maahan: +/- 0,5 kV, +/- 1 kV, +/- 2 kV
<b>Radiotaajuuskenttien aiheuttamien johtuvien häiriöiden sieto</b>	
Testistandardi	Häiriönsietotestin taso
EN 61000-4-6	3 V (6 V ISM- ja amatööriradiokaistoilla) 0,15–80 MHz, 80 % AM / 1 kHz

**Langattomien radiotaajuisten viestintälaitteiden läheisyyskenttien sieto**

Testistandardi	Häiriönsietotestin taso
EN 61000-4-3:	
385 MHz, 27 V/m, 18 Hz PM (50 % käyttöjaksosakara-aalto) 450 MHz, 28 V/m, FM +/- 5 kHz:n poikkeama, 1 kHz:n sini 710 MHz, 9 V/m, 217 Hz PM (50 % käyttöjaksosakara-aalto) 745 MHz, 9 V/m, 217 Hz PM (50 % käyttöjaksosakara-aalto) 780 MHz, 9 V/m, 217 Hz PM (50 % käyttöjaksosakara-aalto) 810 MHz, 28 V/m, 18 Hz PM (50 % käyttöjaksosakara-aalto) 870 MHz, 28 V/m, 18 Hz PM (50 % käyttöjaksosakara-aalto) 930 MHz, 28 V/m, 18 Hz PM (50 % käyttöjaksosakara-aalto) 1720 MHz, 28 V/m, 217 Hz PM (50 % käyttöjaksosakara-aalto) 1845 MHz, 28 V/m, 217 Hz PM (50 % käyttöjaksosakara-aalto) 1970 MHz, 28 V/m, 217 Hz PM (50 % käyttöjaksosakara-aalto) 2450 MHz, 28 V/m, 217 Hz PM (50 % käyttöjaksosakara-aalto) 5240 MHz, 9 V/m, 217 Hz PM (50 % käyttöjaksosakara-aalto) 5500 MHz, 9 V/m, 217 Hz PM (50 % käyttöjaksosakara-aalto) 5785 MHz, 9 V/m, 217 Hz PM (50 % käyttöjaksosakara-aalto)	
<b>Jännitekuopat</b>	
Testistandardi	Häiriönsietotestin taso
EN 61000-4-11	0 % U <sub>T</sub> ; 0,5 jaksoa / 0°, 45°, 90°, 135°, 180°, 225°, 270° ja 315°, 0 % U <sub>T</sub> ; 1 jakso / 0°, 70 % U <sub>T</sub> ; 25 jaksoa / 0° Yksi vaihe / 0°
<b>Jännitekatkokset</b>	
Testistandardi	Häiriönsietotestin taso
EN 61000-4-11	0 % U <sub>T</sub> ; 300 jakso
<b>Johtuvat/säteilevät radiotaajuuspäästöt</b>	
Testistandardi	Päästötestin luokka ja ryhmä
EN 55011	Luokka B, ryhmä 1
<b>Harmoniset virtapäästöt</b>	
Testistandardi	Päästötestin luokka ja ryhmä
IEC 61000-3-2	Luokka A
<b>Jännitemuutokset, jännitteenvaihtelut ja välkyntä</b>	
Testistandardi	Päästötestin luokka ja ryhmä
EN 61000-3-3	Testattu standardin mukaisesti.

# Tuotetarra



- ① Katso käyttöohje

---

- ② Lääkinnällinen laite

---

- ③ Käyttäjän enimmäispaino

---

- ④ Tuotantopäivä

---

- ⑤ Tuotenumero

---

- ⑥ Enimmäiskuormitus

---

- ⑦ Verkojännite

---

- ⑧ Taajuus

---

- ⑨ Enimmäisvirrankulutus

⑩ IP-luokka

---

⑪ Sähkövirta

---

⑫ GS1-128-viivakoodi

---

⑬ Tuotteen paino

---

⑭ Eräkoodi

---

⑮ Vaatimustenmukaisuus arvioitu Yhdistyneessä kuningaskunnassa.

---

Nämä tuotteet on CE-merkitty seuraavien asiaa koskevien asetusten ja direktiivien vaatimusten mukaisesti:

- ⑯ Asetus (EU) 2017/745 lääkinnällisistä laitteista, annettu 5.4.2017.
- Neuvoston direktiivi 2006/42/EY, annettu 17.5.2006.
- Neuvoston direktiivi 2011/65/EY (RoHS-direktiivi), annettu 8.6.2011.

Vaatimustenmukaisuusvakuutus löytyy osoitteesta [Pressalit.com](http://Pressalit.com)

---

⑰ Tämä tuote ei sisällä mitään RoHS-direktiivissä 2011/65/EY mainittuja vaarallisia aineita.

---

⑱ Tuotteen nimi (jos sellainen on).

---

⑲ Älä hävitä jätettä lajittelemattomana yhdyskuntajätteenä. Tuote on kerättävä erikseen ja palautettava määriteltyyn kierrätyspisteeseen.

---

⑳ Tyypin BF liitososa normaalissa käytössä olevasta tuotteesta joutuu välttämättä fyysiseen kosketukseen potilaan kanssa toimiakseen oikein. Tuote on standardin IEC 60601-1 vaatimusten mukainen, jotta se suojaa sähköiskulta.

---

㉑ Käyttöjakso

---

㉒ Katso käyttöoppaasta tärkeät huomautukset, kuten varoitukset ja varoimet.

---

㉓ Katso käyttöohje

---

㉔ Valmistajan nimi ja osoite

---

㉕ Luokan II tuote, kaksoiseristetty

---

# Varastointi ja kuljetus

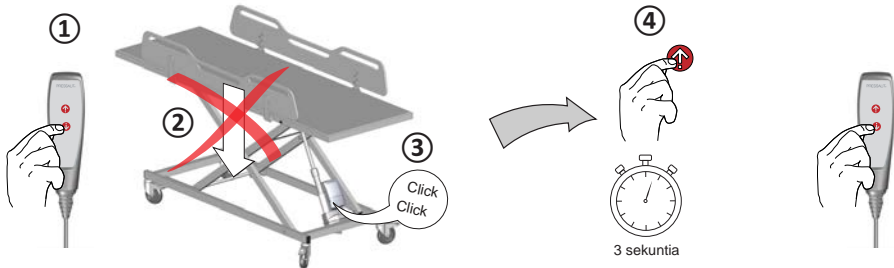
- Yksikön kuljetus- ja varastointilämpötilan on oltava -10–50 °C. Pidä kosteus alle 70 %:ssa.
- Yksikkö on aina kuljetettava alkuperäispakkauksessaan.
- Älä altista pakkausta iskuille.
- Älä käytä tuotetta, jos pakkaus on rikki tai vaurioitunut.

# Vianmääritys

Oire	Syy	Toimenpide
Ei virtaa.	Virtapistoke on vedetty irti.	Kytke virtajohto takaisin pistorasiaan.
Vaunulla on vaikeuksia liikkua ylös- ja/tai alaspäin, ja nostomekanismista kuuluu napsahdusääni.	Nostoyksikössä ei ole voitelua.	Voitele nostoyksikkö. Katso kohta <b>Huolto</b> .
	Nostoyksikkö voi olla jumissa.	Katso kohta <b>Nollaus</b> .

Ota yhteyttä Pressalit A/S:ään tai paikalliseen jälleenmyyjään, jos ongelmaa ei voida korjata. Älä yritä korjata tuotetta itse, sillä tämä mitätöi takuun. Vaatteiden vaihtovaunun odotettavissa oleva käyttöikä on 10 vuotta.



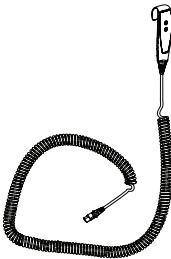



## Nollaus



Jos yksikkö on jumissa eikä mene alaspäin, paina ylös-painiketta kolmen sekunnin ajan ja paina sitten alas-painiketta.



Saat täydellisen luettelon saatavilla olevista varaosista ottamalla yhteyttä Pressalitiin.

		Virtajohto	Kaukosäädin
	EU/maailma	LB0696	 T4361
	UK/IRL	V6336	
	AUS/NZ	T4285	
	US/CAN	LB0688	

## Hävittäminen ja kierrätys

Yksikkö sisältää uudelleenkäytettäviä materiaaleja. Tuotteen hävittämiseen ei liity tunnettuja vaaroja tai riskejä. Kaikki osat voidaan hävittää puhdistuksen ja desinfioinnin jälkeen. Tuotteen hävittämisen yhteydessä suosittelemme, että se puretaan ja jaetaan eri jäteryhmiin kierrätystä tai polttamista varten. Seuraavassa taulukossa on tietoja tuotteen kierrätyksestä ja käsittelystä.

Kierrätettävät komponentit	Materiaali
Teräs	Teräs voidaan kierrättää sulattamalla ja sisällyttämällä se vaihtoehoiseksi materiaaliksi uuden teräksen tuotannossa.
Muovit	Käytä muovin lajittelu- ja kierrätysjärjestelmiä, jos ne ovat paikallisesti saatavilla. Jos tällaisia järjestelmiä ei ole saatavilla, muovijätteen polttaminen voi olla vaihtoehto, sillä se voi tuottaa energiaa, jota voidaan käyttää sähköntuotantoon.
Elektroniikka	Elektroniset komponentit on kerättävä erikseen ja palautettava määrättyyn kierrätyspisteeseen.

# Spis treści

Symbole używane w niniejszej instrukcji	209
Ogólne wskazówki bezpieczeństwa	211
Bezpieczne odległości	212
Użytkowanie zgodne z przeznaczeniem	213
Profil zamierzonego operatora	213
Profil zamierzonego użytkownika	213
Środowisko użytkowania	213
Przeciwwskazania do stosowania	214
Biozgodność	214
Łatwopalność	214
Instrukcja obsługi	215
Hamulce bezpieczeństwa	215
Podpórki boczne	216
Regulacja wysokości	217
Przemieszczanie wózka	218
Akcesoria	219
Materac	219
Czyszczenie	220
Konserwacja	221
Przegląd konserwacyjny	221
Kompatybilność elektromagnetyczna	222
Odporność/emisja elektromagnetyczna	222
Etykieta wyrobu	224
Przechowywanie i transport	226
Rozwiązywanie problemów	226
Resetowanie	226
Utylizacja i recykling	227



# Symbole używane w niniejszej instrukcji

W niniejszej instrukcji oraz w dokumentacji dostarczonej z wyrobem użyto następujących symboli.



## OSTRZEŻENIE

**OSTRZEŻENIE** wskazuje na sytuację potencjalnie niebezpieczną, dopuszczenie do której może skutkować śmiercią lub poważnymi obrażeniami.



## UWAGA

**UWAGA** wskazuje na sytuację potencjalnie niebezpieczną, dopuszczenie do której może skutkować niewielkimi lub umiarkowanymi obrażeniami. Powyższe może również służyć jako ostrzeżenie przed niebezpiecznymi praktykami.

## WAŻNE

**WAŻNE** wskazuje na istotną informację dotyczącą postępowania z wyrobem lub jego użytkowania.

## INFORMACJA

**INFORMACJA** dotyczy praktyk niezwiązanych z bezpieczeństwem ludzi.



Ostrzeżenie przed obrażeniami głowy



Ostrzeżenie przed obrażeniami dłoni



Ostrzeżenie przed obrażeniami  
genitaliów



Ostrzeżenie przed obrażeniami stóp



Nie wolno zostawiać pacjenta bez nadzoru.



Kompatybilne produkty



Części zamienne



Maksymalna masa użytkownika



Nr artykułu / wersja



Waga wyrobu



Parametry elektryczne

# Ogólne wskazówki bezpieczeństwa



## OSTRZEŻENIE

- Przed użyciem wyrobu przeczytaj i zapoznaj się z instrukcją. Instrukcję przechowuj w pobliżu wyrobu.
- Przestrzegaj niniejszej instrukcji, aby uniknąć wypadków prowadzących do poważnych obrażeń.
- Nigdy nie używaj wyrobu do celów lub w sposób niezgodny z niniejszą instrukcją, ponieważ zagraża to Twojemu bezpieczeństwu i grozi uszkodzeniem wyrobu.
- Upewnij się, że wszystkie osoby montujące lub używające tego wyrobu i jego systemów posiadają niezbędne informacje oraz dostęp do niniejszej instrukcji.



## UWAGA

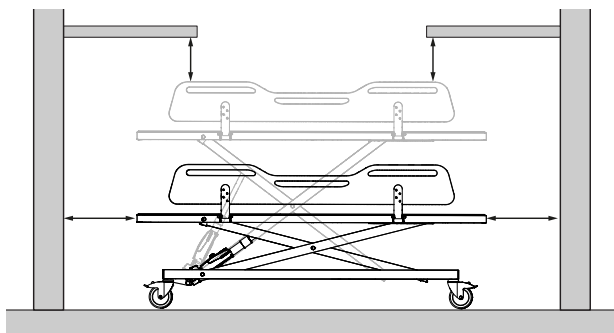
- Przestrzegaj niniejszej instrukcji, aby uniknąć uszkodzenia lub zniszczenia wyrobu.
- Nie dokonuj samodzielnych napraw, demontażu lub montażu, rozbudowy, regulacji lub modyfikacji wyrobu. Czynności takie mogą być przeprowadzane wyłącznie przez firmę Pressalit lub upoważniony przez nią personel.
- Nigdy nie pozwalaj dzieciom obsługiwać tego wyrobu bez nadzoru. Ten wyrób nie jest zabawką.
- Nigdy nie używaj wadliwego lub uszkodzonego wyrobu. Nie używaj uszkodzonego wyrobu przed jego naprawą.











## INFORMACJA

- Informacje zawarte w niniejszej instrukcji zakładają właściwe mocowanie wyrobu zgodnie z instrukcją montażu.
- Pressalit nie ponosi odpowiedzialności w sytuacji, gdy wyrób jest użytkowany w jakikolwiek sposób odbiegający od przedstawionego w niniejszej instrukcji.
- Zastrzegamy sobie prawo do zmian niniejszej instrukcji bez wcześniejszego powiadomienia.

# Bezpieczne odległości

Upewnij się, że urządzenie znajduje się w bezpiecznej odległości od otaczających je przedmiotów. Sprawdź te odległości przed każdym użyciem.



ISO 17966:2016		 / 	
		Maks. 120/60 mm Maks. 4,72/2,36"	Min. 300 mm Min. 11,81"
		Maks. 8/4 mm Maks. 0,31/0,16"	Min. 25 mm Min. 0,98"
		Maks. 8 mm Maks. 0,31"	Min. 75 mm Min. 2,95"
		Maks. 35/25 mm Maks. 1,38/0,98"	Min. 120 mm Min. 4,72"



## OSTRZEŻENIE

Podczas ruchu urządzenia w zakresie bezpiecznych odległości obserwuj uważnie osoby i przedmioty znajdujące się wokół niego, aby uniknąć ryzyka zmiążdżenia.

# Użytkowanie zgodne z przeznaczeniem

Ten wyrób jest przeznaczony do toalety osób, które nie są w stanie stać ani siedzieć. Obsługiwana osoba leży na wózku toaletowym.

## Profil zamierzonego operatora

Ten wyrób jest przeznaczony do użytku jedynie przez personel przeszkolony w zakresie opieki zdrowotnej nad pacjentami lub ich pielęgnacji.

## Profil zamierzonego użytkownika

Z wyrobu mogą korzystać wszystkie osoby — dorośli, dzieci oraz osoby młode i starsze, których waga nie przekracza **maksymalnego obciążenia 200 kg**.

## Środowisko użytkowania

Wózek toaletowy jest przeznaczony do eksploatacji w temperaturze pokojowej w przebieralniach publicznych, szkołach, gospodarstwach domowych, domach opieki dziennej / całodobowej / ośrodkach opiekuńczych i w szpitalach, w normalnych warunkach pracy.

Wózek toaletowy może być używany w suchych pomieszczeniach. Nie należy go używać jako wózka kąpielowego pod prysznicem. Jeśli wilgotność względna jest wyższa niż 70%, oczekiwany okres eksploatacji wyrobu może ulec znaczącemu skróceniu. Nie należy wystawiać wózka toaletowego na działanie oparów zawierających chlor.



Powierzchnia produktu może się nagrzewać lub schładzać w przypadku wystawienia na działanie zewnętrznych źródeł ciepła lub zimna, takich jak światło słoneczne lub mróz.

## INFORMACJA

Każde poważne zdarzenie, które nastąpiło w związku z wyrobem, należy zgłosić producentowi i organom służby zdrowia.

Poważne zdarzenie oznacza zdarzenie prowadzące do zgonu pacjenta, użytkownika lub jakiegokolwiek innej osoby, lub powodujące tymczasowe lub stałe pogorszenie się stanu zdrowia danej osoby. Należy zgłaszać każde zdarzenie, które stało się poważnym zdarzeniem lub które może stać się poważnym zdarzeniem.

## **Przeciwwskazania do stosowania**

W przypadku stosowania wyrobu u pacjentów z uszkodzoną skórą, ranami lub innymi podobnymi schorzeniami, zaleca się stosowanie ręcznika jako bariery chroniącej otwarte rany przed bezpośrednim kontaktem z podłożem.

## **Biozgodność**

Biozgodność materiałów mających kontakt ze skórą użytkownika podczas użytkowania zgodnego z przeznaczeniem została poddana ocenie zgodnie z procedurami określonymi w normie DS/EN ISO 10993-1:2020, obejmującej ocenę materiałów pod kątem substancji niebezpiecznych. Na podstawie uzyskanej oceny materiały zostały uznane za odpowiednie do użytkowania zgodnie z przeznaczeniem.

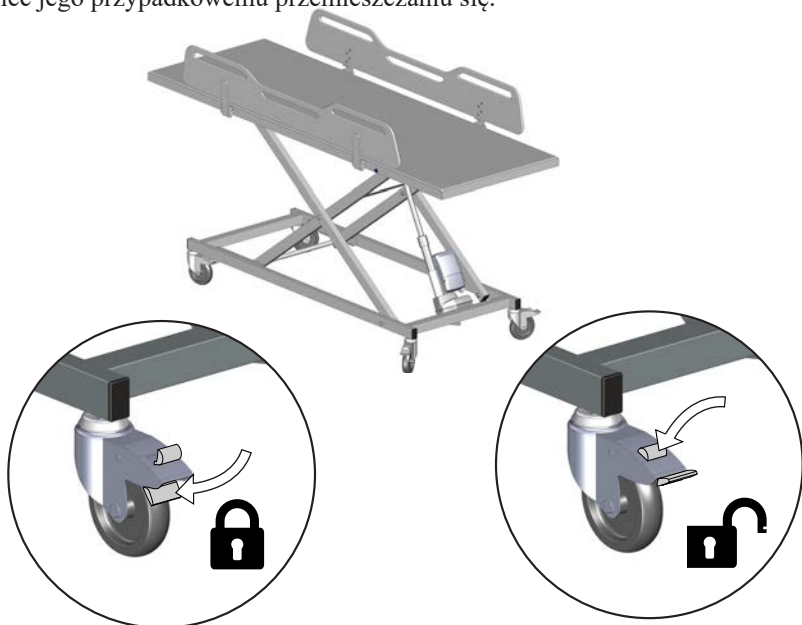
## **Łatwopalność**

Materiały zastosowane w produkcji zostały poddane badaniom zapalności zgodnie z normami ISO 8191-1:1987 oraz ISO 8191-2:1988.

# Instrukcja obsługi

## Hamulce bezpieczeństwa

Wózek toaletowy jest wyposażony w hamulce na wszystkich czterech kołach, aby zapobiec jego przypadkowemu przemieszczaniu się.



**Blokowanie hamulców:** Naciśnij stopą pedał blokady na wszystkich czterech kołach, aby włączyć hamulce.

**Odblokowanie hamulców:** Naciśnij stopą przycisk zwolnienia blokady na wszystkich czterech kołach, aby odblokować hamulce.



Zawsze używaj swojej stopy do blokowania i odblokowania kół. Noś buty z zakrytymi palcami i nigdy nie używaj ręki do blokowania lub odblokowania kół.

 **OSTRZEŻENIE**

Przed przemieszczeniem pacjenta na wózek lub z wózka zawsze upewnij się, że blokady na wszystkich czterech kołach są dobrze zablokowane.

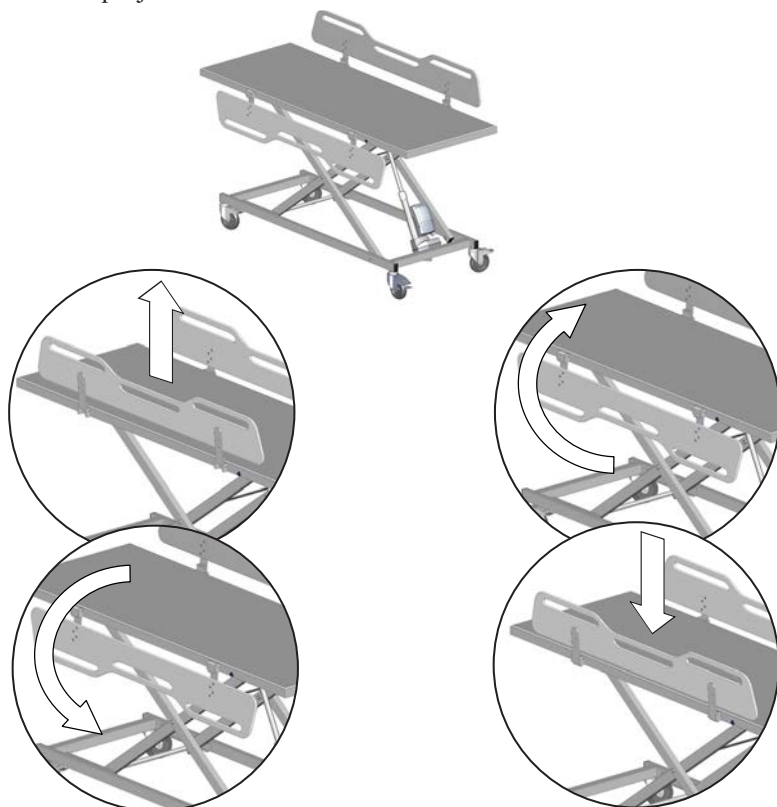


Nie wolno zostawiać pacjenta bez nadzoru.

pl

## Podpórki boczne

Każdą podpórkę boczną można łatwo podnosić i opuszczać, aby ułatwić przemieszczanie pacjenta.



**Opuszczanie:** Pociągnij podpórkę boczną do góry, by zwolnić blokadę, a następnie opuść ją w dół.

**Podnoszenie:** Podnieś podpórkę boczną do góry, a następnie wciśnij ją w dół, by zablokować jej mocowanie.



W momencie blokowania podpórek bocznych uważaj, aby nie przyciąć ręki lub genitaliów pacjenta.

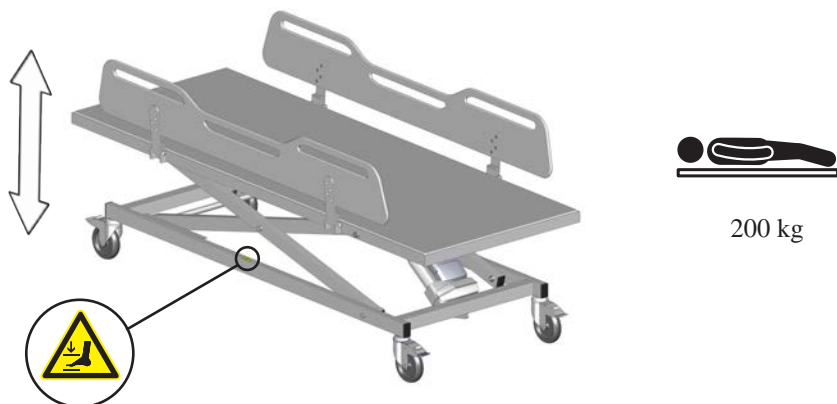


**OSTRZEŻENIE**

Aby zapobiec wypadnięciu pacjenta podczas stosowania wózka, wszystkie podpórki boczne muszą być zawsze podniesione i zablokowane.



## Regulacja wysokości



Wysokość wózka toaletowego można regulować o 500 mm w górę i w dół. Maksymalna wysokość wynosi 950 mm. Regulacją wysokości steruje się za pomocą pilota przewodowego.



	Naciśnij i przytrzymaj przycisk ruchu w górę, by podnieść urządzenie. Po zwolnieniu przycisku ruch zostanie zatrzymany.
	Naciśnij i przytrzymaj przycisk ruchu w dół, by obniżyć urządzenie. Po zwolnieniu przycisku ruch zostanie zatrzymany.

	<b>Podczas regulacji wysokości wózka nie stawiaj stopy na ramie nośnej i zachowaj szczególną ostrożność, aby nie przytrzasnąć stóp, dłoni, dzieci albo innych przedmiotów.</b>
	<b>Uważaj, aby przewód pilota ręcznego nie owinał się wokół szyi pacjenta, stwarzając ryzyko uduszenia. Przewodowy pilot ręczny musi być odłożony na podpórkę boczną, kiedy nie jest używany.</b>

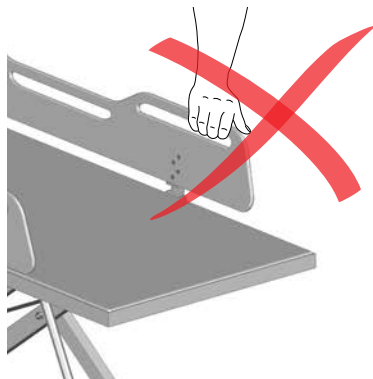
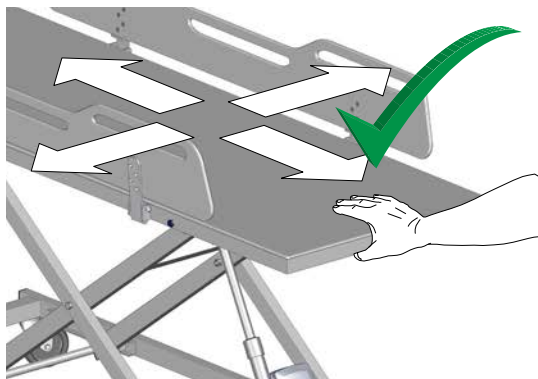


## **OSTRZEŻENIE**

Podczas regulacji wysokości wózka nigdy nie wolno pozwalać dzieciom na przebywanie w jego pobliżu.

## Przemieszczanie wózka

Aby przemieścić wózek, należy odblokować wszystkie cztery koła zgodnie z opisem. Podczas przemieszczania wyrobu nie należy chwycić za podpórki boczne, lecz trzymać mocno ręką powierzchnię do leżenia. Podczas przemieszczania wyrobu należy zachować ostrożność.



### OSTRZEŻENIE

Należy upewnić się, że przewód zasilania nie owinał się wokół stóp pacjenta, ani nie znajduje się w pozycji grożącej uduszeniem pacjenta. Podczas korzystania z wyrobu przewód zasilania powinien znajdować się na podłodze, a kiedy wyrób nie jest stosowany, przewód zasilania powinien znajdować się z boku wyrobu.



### UWAGA

Należy zwracać uwagę na przewód zasilania i uważać, aby na niego nie nadepnąć, kiedy leży na podłodze.

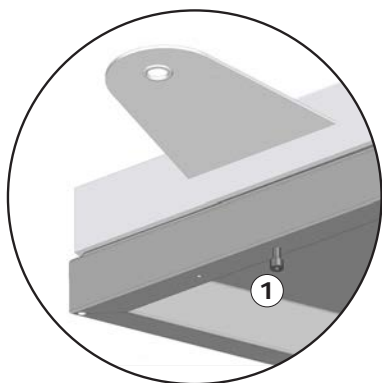
Należy pamiętać, że chociaż produkt można przemieszczać, jest on podłączony do gniazdka za pomocą przewodu zasilania. Podczas przemieszczania produktu należy więc zachować ostrożność, aby nie uszkodzić instalacji elektrycznej lub samego produktu.

Przed podłączeniem przewodu do gniazdka należy zawsze sprawdzać zarówno przewód jak i gniazdko pod kątem ewentualnych uszkodzeń. W przypadku wykrycia uszkodzenia należy wymienić przewód na nowy, aby uniknąć ryzyka porażenia prądem.

## Akcesoria

### Materac

Aby zwiększyć komfort użytkowania do wózka toaletowego można dodać materac. Materac jest dwustronny i można go używać z obu stron.

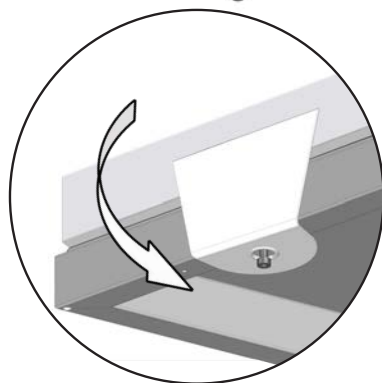


Aby zamontować materac, odkręć śrubę blokady ① o około jeden centymetr.

Naciągnij klapę materaca na śrubę.

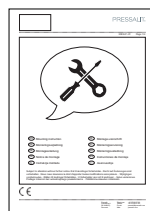
Wyrób należy czyścić gorącą wodą lub łagodnym środkiem czyszczącym na bazie mydła.

Listę odpowiednich środków czyszczących/dezynfekujących przetestowanych przez firmę Pressalit można znaleźć na stronie [pressalit.com](http://pressalit.com).



Zamocuj w ten sposób wszystkie cztery klapy.

Zestaw materaca zawiera instrukcję montażu. Można ją także pobrać ze strony [pressalit.com](http://pressalit.com).



## WAŻNE

W celu zachowania higieny zaleca się regularne sprawdzanie materaca pod kątem jakichkolwiek widocznych uszkodzeń lub oznak zużycia i rozdarcia. W razie wykrycia uszkodzeń należy niezwłocznie wymienić materac na nowy, aby uniknąć ryzyka zanieczyszczenia lub zakażenia.

## Czyszczenie

Do czyszczenia produktu należy stosować wyżętą ściereczkę namoczoną wcześniej w łagodnym roztworze mydła, np. uniwersalnym roztworze czyszczącym. Ważne jest, aby po umyciu wytrzeć produkt suchą miękką ściereczką. Jest to niezwykle istotny etap, mający na celu uniknięcie przebarwień zastosowanych materiałów. Dodatkowo zapobiega on uszkodzeniom farby powierzchniowej. Listę odpowiednich środków czyszczących/dezynfekujących przetestowanych przez firmę Pressalit można znaleźć na stronie [pressalit.com](http://pressalit.com).



## UWAGA

Zawsze należy zapoznać się z instrukcjami dołączonymi do środka czyszczącego oraz zgodnie z nimi postępować w celu bezpiecznego stosowania, rozcieńczania, spłukiwania, suszenia, obchodzenia się ze środkiem i jego przechowywania.

## WAŻNE

- Nie spłukiwać ani nie polewać produktu bezpośrednio wodą.
- Nie wolno używać autoklawów lub innych rodzajów czyszczenia parowego.
- Unikać stosowania silnych środków czyszczących zawierających kwasy lub czynniki zasadowe.
- Unikać stosowania środków czyszczących ściernych, żrących lub wyprodukowanych na bazie chloru.



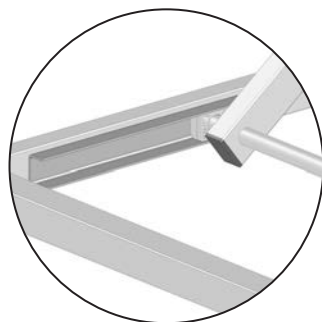
## UWAGA

Nie czyścić ani nie dezynfekuj wózka w żaden sposób, gdy leży na nim pacjent.

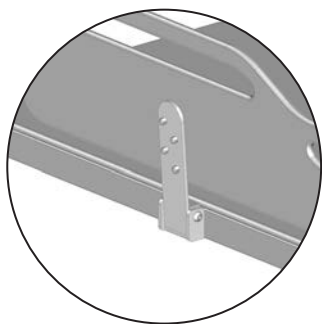
# Konserwacja

Zaleca się przeprowadzanie przeglądu konserwacyjnego raz w roku.

## Przegląd konserwacyjny



Smaruj szyny ślizgowe przynajmniej raz na sześć miesięcy. Stosuj smar do zastosowań w przemyśle spożywczym.



Sprawdź, czy nakrętki, śruby i zawiasy się nie obluźniły. W razie konieczności dokręć.



Sprawdź, czy koła nie rdzewieją. Wymień je w razie potrzeby.

# Kompatybilność elektromagnetyczna



## OSTRZEŻENIE

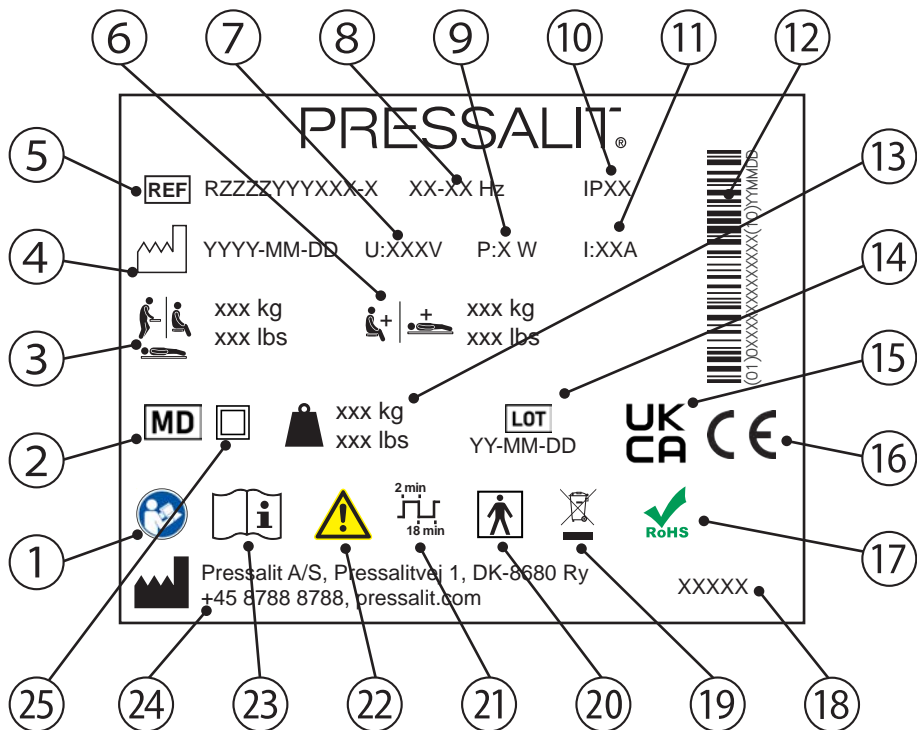
- Stosowanie akcesoriów, przetworników oraz kabli innych niż określone lub dostarczone przez producenta może prowadzić do zwiększenia emisji elektromagnetycznych lub zmniejszenia odporności elektromagnetycznej sprzętu i spowodować nieprawidłowe działanie.
- Przenośny sprzęt do komunikacji radiowej (w tym urządzenia peryferyjne takie jak kable antenowe i anteny zewnętrzne) powinien być używany w odległości co najmniej 30 cm od dowolnej części urządzenia, w tym jego kabli, aby zapobiec pogorszeniu jego działania.
- Należy unikać używania tego urządzenia w pobliżu innego sprzętu bądź ustawionego na innym sprzęcie, gdyż może to spowodować nieprawidłowe działanie. Jeśli jednak konieczne jest używanie urządzenia w takiej konfiguracji, należy obserwować urządzenie i pozostały sprzęt, aby upewnić się, że działają prawidłowo.

## Odporność/emisja elektromagnetyczna

<b>Wyladowania elektrostatyczne</b>	
Norma testowa	Poziom testowy odporności
EN 61000-4-2	+/-8 kV kontakt, +/-2, 4, 8, 15 kV w powietrzu
<b>Wypromieniowane pole elektromagnetyczne o częstotliwości radiowej</b>	
Norma testowa	Poziom testowy odporności
EN 61000-4-3	15 V/m od 80 MHz do 1 GHz, 15 V/m od 1,01 GHz do 6 GHz 80% AM 1 kHz
<b>Szybkozmiennne elektryczne zakłócenia przejściowe</b>	
Norma testowa	Poziom testowy odporności
EN 61000-4-4	+/-1 kV, +/-2 kV, częstotliwość powtarzania 100 kHz
<b>Odporność na udary (surge)</b>	
Norma testowa	Poziom testowy odporności
EN 61000-4-5	Międzyfazowy: +/- 0,5 kV, +/- 1 kV Doziemny: +/- 0,5 kV, +/- 1 kV, +/- 2 kV
<b>Odporność na zaburzenia przewodzone indukowane przez pola o częstotliwości radiowej</b>	
Norma testowa	Poziom testowy odporności
EN 61000-4-6	3 V (6 V w pasmach ISM i amatorskich pasmach radiowych) 0,15 do 80 MHz, 80% AM przy 1 kHz

<b>Odporność na pobliskie pola emitowane przez bezprzewodowy sprzęt do komunikacji radiowej</b>	
Norma testowa	Poziom testowy odporności
EN 61000-4-3:	
385 MHz, 27 V/m, PM 18 Hz (cykl pracy 50%, fala prostokątna) 450 MHz, 28 V/m, odchylenie FM +/- 5 kHz, sinus 1 kHz 710 MHz, 9 V/m, PM 217 Hz (cykl pracy 50%, fala prostokątna) 745 MHz, 9 V/m, PM 217 Hz (cykl pracy 50%, fala prostokątna) 780 MHz, 9 V/m, PM 217 Hz (cykl pracy 50%, fala prostokątna) 810 MHz, 28 V/m, PM 18 Hz (cykl pracy 50%, fala prostokątna) 870 MHz, 28 V/m, PM 18 Hz (cykl pracy 50%, fala prostokątna) 930 MHz, 28 V/m, PM 18 Hz (cykl pracy 50%, fala prostokątna) 1720 MHz, 28 V/m, PM 217 Hz (cykl pracy 50%, fala prostokątna) 1845 MHz, 28 V/m, 217 Hz PM (cykl pracy 50%, fala prostokątna) 1970 MHz, 28 V/m, 217 Hz PM (cykl pracy 50%, fala prostokątna) 2450 MHz, 28 V/m, 217 Hz PM (cykl pracy 50%, fala prostokątna) 5240 MHz, 9 V/m, 217 Hz PM (cykl pracy 50%, fala prostokątna) 5500 MHz, 9 V/m, 217 Hz PM (cykl pracy 50%, fala prostokątna) 5785 MHz, 9 V/m, 217 Hz PM (cykl pracy 50%, fala prostokątna)	
<b>Zapad napięcia</b>	
Norma testowa	Poziom testowy odporności
EN 61000-4-11	0% U <sub>T</sub> ; 0,5 okresu przy 0°, 45°, 90°, 135°, 180°, 225°, 270° i 315°, 0% U <sub>T</sub> ; 1 okres przy 0°, 70% U <sub>T</sub> ; 25 okresów przy 0° Jednofazowy przy 0°
<b>Przerwy w zasilaniu</b>	
Norma testowa	Poziom testowy odporności
EN 61000-4-11	0% U <sub>T</sub> ; 300 okresów
<b>Przewodzona/promieniowana emisja pola elektromagnetycznego o częstotliwości radiowej</b>	
Norma testowa	Klasa i grupa testowa emisji
EN 55011	Klasa B, grupa 1
<b>Emisje harmoniczne prądu</b>	
Norma testowa	Klasa i grupa testowa emisji
IEC 61000-3-2	Klasa A
<b>Zmiany napięcia, wahania napięcia i migotanie</b>	
Norma testowa	Klasa i grupa testowa emisji
EN 61000-3-3	Zbadano zgodnie z normą.

# Etykieta wyrobu



1 Zapoznaj się z instrukcją obsługi

2 Urządzenie medyczne

3 Maksymalna masa użytkownika

4 Data produkcji

5 Numer artykułu

6 Maksymalne obciążenie

7 Napięcie sieciowe

8 Częstotliwość

9 Maksymalny pobór mocy



10 Klasa IP

---

11 Prąd elektryczny

---

12 Kod kreskowy GS1-128

---

13 Waga wyrobu

---

14 Kod partii

---

15 Zgodność z przepisami obowiązującymi w Wielkiej Brytanii

---

Te produkty są opatrzone znakiem CE zgodnie z odnośnymi wymaganiami w następujących dokumentach:

- Rozporządzenie (UE) 2017/745 (5 kwietnia 2017) o wyrobach medycznych.

16

- Dyrektywa maszynowa 2006/42/WE (17 maja 2006).

- Dyrektywa maszynowa RoHS 2011/65/WE (8 czerwca 2011).

Deklarację zgodności można znaleźć na stronie [pressalit.com](http://pressalit.com).

---

17

Ten produkt nie zawiera żadnych substancji niebezpiecznych wymienionych w dyrektywie Rady 2011/65/WE w sprawie ograniczenia stosowania niektórych niebezpiecznych substancji w sprzęcie elektrycznym i elektronicznym.

---

18

Nazwa produktu (jeśli ją posiada)

---

19

Nie wyrzucać do zmieszanych odpadów komunalnych. Produkt należy zebrać osobno i oddać do odpowiedniego punktu recyklingu.

---

20

Część typu BF. Podczas normalnego użytkowania część produktu musi mieć fizyczny kontakt z pacjentem, aby spełnić swoją funkcję. Produkt spełnia wymagania normy IEC 60601-1 w zakresie ochrony przed porażeniem prądem elektrycznym.

---

21

Cykl pracy

---

22

Zapoznaj się z instrukcją obsługi, aby zapamiętać ważne informacje dotyczące bezpieczeństwa i środków ostrożności.

---

23

Zapoznaj się z instrukcją obsługi

---

24

Nazwa i adres producenta

---

25

Urządzenie elektryczne z podwójną izolacją

---

## Przechowywanie i transport

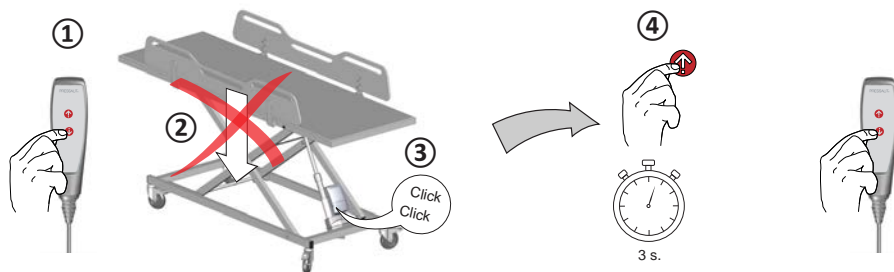
- Zakres dopuszczalnych temperatur transportu i przechowywania wyrobu wynosi od -10 do 50°C. Należy utrzymywać wilgotność poniżej 70%.
- Urządzenie należy zawsze transportować w oryginalnym opakowaniu.
- Unikaj narażania opakowania na wstrząsy i uderzenia.
- Nie używaj wyrobu, jeżeli opakowanie jest uszkodzone.

## Rozwiązywanie problemów

Objaw	Przyczyna	Działanie
Brak mocy.	Wtyczka jest wyciągnięta z gniazdka.	Włóż ponownie wtyczkę do gniazdka.
Podnoszenie i/lub obniżanie wózka nastęrcza trudności, a mechanizm podnoszenia wydaje klikający dźwięk.	W podnośniku brakuje smaru.	Nasmarować podnośnik. Patrz sekcja <b>Konserwacja</b> .
	Podnośnik może być zakleszczony.	Patrz sekcja <b>Resetowanie</b> .

Jeśli problemu nie można rozwiązać, należy skontaktować się z firmą Pressalit A/S lub swoim lokalnym dystrybutorem. Nie należy próbować naprawiać produktu samodzielnie, ponieważ spowoduje to unieważnienie gwarancji. Przewidywany okres eksploatacji wózka wynosi 10 lat.



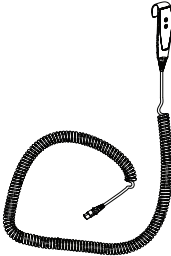



## Resetowanie



Jeśli podnośnik jest zakleszczony i nie można go obniżyć, przytrzymaj wciśnięty przycisk podnoszenia przez 3 sekundy, a następnie naciśnij na przycisk opuszczania.



Skontaktuj się z firmą Pressalit, aby otrzymać pełną listę dostępnych części zamiennych.

		Przewód zasilania	Pilot
	UE/świat	LB0696	 T4361
	UK/IRL	V6336	
	AUS/NZ	T4285	
	US/CAN	LB0688	

## Utylizacja i recykling

Wyrób zawiera materiały, które można poddawać recyklingowi. Nie istnieją znane zagrożenia lub ryzyka związane z usuwaniem wyrobu. Wszystkie komponenty można utylizować po ich uprzednim wyczyszczeniu i zdezynfekowaniu. W przypadku usuwania wyrobu zalecamy rozmontowanie go i podzielenie odpadów na grupy do recyklingu lub spalania. Poniższa tabela zawiera informacje dotyczące recyklingu i postępowania z wyrobem.

Komponenty, które można poddać recyklingowi	Material
Stal	Stal można poddać recyklingowi poprzez ponowne przetopienie i włączenie jej jako materiału wtórnego do produkcji nowej stali.
Tworzywa sztuczne	Należy korzystać z systemów sortowania i recyklingu tworzyw sztucznych tam, gdzie są one dostępne lokalnie. W przypadku braku takich systemów alternatywą może być spalanie odpadów z tworzyw sztucznych, ponieważ wygenerowaną w ten sposób energią można użyć do wytwarzania energii elektrycznej.
Elektronika	Części elektroniczne powinny być gromadzone oddzielnie i oddawane do wyznaczonych zakładów recyklingu.

[www.pressalit.com](http://www.pressalit.com)

- 
- en** Visit our website to find your local dealer and get further information about Pressalit and our solutions for bathrooms and kitchens.
- 
- dk** Besøg vores hjemmeside for at finde din lokale forhandler og få yderligere oplysninger om Pressalit og vores løsninger inden for bad og køkken.
- 
- de** Besuchen Sie unsere Website, und finden Sie einen Händler in Ihrer Nähe, um mehr über Pressalit und unsere Lösungen für Badezimmer und Küchen zu erfahren.
- 
- fr** Rendez-vous sur notre site Internet pour trouver les coordonnées du revendeur le plus proche et obtenir des informations sur Pressalit et nos solutions pour la salle de bains et la cuisine.
- 
- nl** Breng een bezoek aan onze website om te zien waar u onze producten kunt kopen en voor meer informatie over Pressalit en onze oplossingen voor badkamers en keukens.
- 
- sv** Besök vår webbplats för att hitta en lokal återförsäljare och för mer information om Pressalit och våra lösningar för kök och badrum.
- 
- no** Besøk nettstedet vårt for å finne din lokale forhandler og få ytterligere informasjon om Pressalit og løsningene våre for bad og kjøkken.
- 
- es** Visite nuestro sitio Web para localizar su distribuidor local y obtener información adicional sobre Pressalit y nuestras soluciones para cuartos de baño y cocinas.
- 
- it** Visita il nostro sito web per trovare il rivenditore di zona e richiedere ulteriori informazioni su Pressalit e sulle nostre soluzioni per il bagno e la cucina.
- 
- fi** Verkkosivuiltamme löydät paikallisen jälleenmyyjäsi ja saat lisätietoja Pressalitista sekä kylpyhuone- ja keittiöratkaisuistamme.
- 
- pl** Odwiedź naszą stronę www, gdzie znajdziesz lokalnego dystrybutora oraz informacje o Pressalit i naszych rozwiązaniach dla łazienek oraz kuchni.
- 

