



R8212, R8222  
R8232, R8242  
R8312, R8322  
R8332, R8342

SELECT TL1 & TL2 toilet lifter – Operation and maintenance manual **en**

SELECT TL1 & TL2 toiletløfter – Brugs- og vedligeholdelsesvejledning **dk**

SELECT TL1 & TL2 WC-Lifter – Gebrauchs- und Pflegeanleitung **de**

SELECT TL1 & TL2 WC réglable en hauteur – Manuel d'utilisation et d'entretien **fr**

SELECT TL1 & TL2 hoog-laag-toiletsysteem – Gebruiks- en onderhoudshandleiding **nl**

SELECT TL1 & TL2 Upphängning till toalett – Bruks- och underhållsanvisning **sv**

SELECT TL1 & TL2 Oppheng til toalett – Bruks- og vedlikeholdsveiledning **no**

SELECT TL1 & TL2 Soporte de inodoro - Instrucciones de uso y mantenimiento **es**

SELECT TL1 i TL2 Podnośnik toalet – Instrukcja obsługi i konserwacji **pl**

SELECT TL1 & TL2 坐便器升降装置 — 操作和维护手册 **中文**

SELECT TL1 & TL2 رافعة كرسي المراض – دليل التشغيل والصيانة **العربية**



English	9
Dansk	22
Deutsch	35
Français	48
Nederlands	61
Svenska	74
Norsk	87
Español	100
Polski	113
中文	126
ةيبرعلا	139



<b>en</b>	The guarantee covers faults or defects in material or manufacture within a period of 5 years. Products are subject to minor technical modifications and design deviations. E. & O.E.
<b>dk</b>	Garantien dækker i 5 år fra fakturadato for materiale- og fabrikationsfejl. Der tages forbehold for trykfejl, tekniske ændringer og modelafvigelser.
<b>de</b>	Die Garantie gilt für drei Jahre ab Rechnungsdatum für Material- und Herstellungsfehler. Druckfehler, technische Änderungen und Modellabweichungen vorbehalten.
<b>fr</b>	La garantie couvre les vices de fabrication et de matériaux pour une durée de 5 ans à partir de la date de facturation. Sous réserve de modifications techniques et d'erreurs d'impression.
<b>nl</b>	De garantie is tot 5 jaar na factuurdatum geldig voor materiaal- en fabricagefouten. Onder voorbehoud van drukfouten, technische wijzigingen en modelafwijkingen.
<b>sv</b>	Garantin gäller i 5 år från fakturadatum för material- och fabrikationsfel. Med reservation för tryckfel, tekniska ändringar och modellavvikelser.
<b>no</b>	Garantien gjelder i 5 år fra fakturadato for material- og fabriksjonsfeil. Med forbehold for trykkfeil, tekniske endringer og modellforskjeller.
<b>es</b>	La garantía cubre fallos de material o fabricación durante los tres años posteriores a partir de la fecha de factura. Mantenemos reservas en caso de problemas de presión, modificaciones técnicas y variaciones de modelo.
<b>pl</b>	Pięcioletnia gwarancja obejmuje usterki oraz wady produkcyjne i materiałowe. Produkty mogą ulec nieznacznym zmianom technicznym i projektowym. Zastrzegamy sobie prawo do błędów i pominięć.
<b>中文</b>	保修涵盖 5 年内出现的材料或制造故障或缺陷。产品的技术和设计可能稍微发生变化，恕不另行通知。

العربية يعطي الضمان الأخطاء أو العيوب في المواد أو التصنيع لفترة 5 أعوام. المنتجات عرضة لتعديلات فنية وفروق طفيفة في التصميم. حالات الخطأ والسهو مستثناة.

**REF**

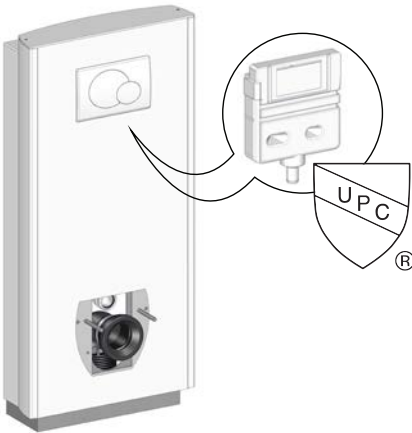
**SELECT TL1**



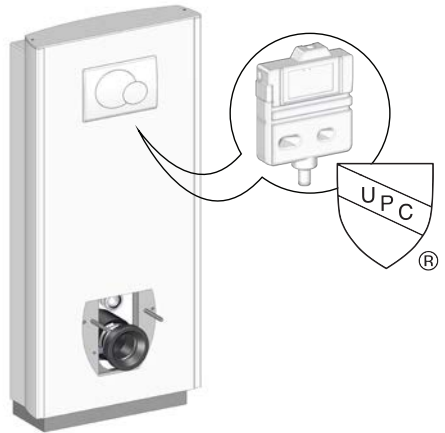
R8212



R8222



R8232



R8242

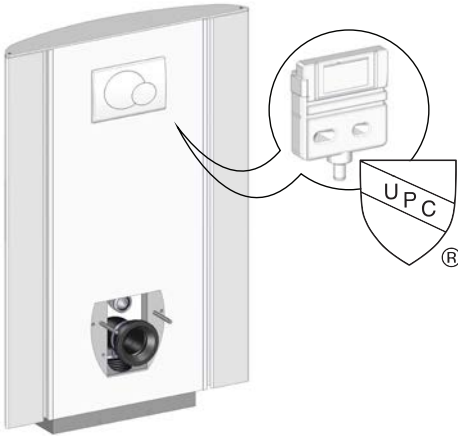
## SELECT TL2



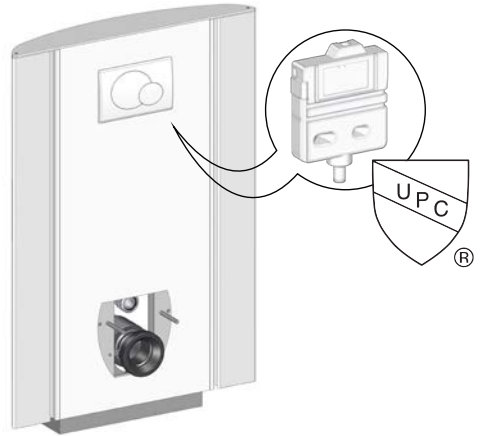
R8312



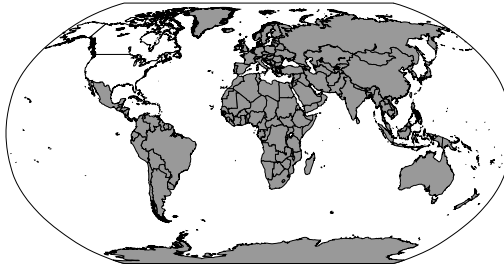
R8322




R8332



R8342




A world map with shaded regions indicating 230V power standards. The shaded areas include Europe, Africa, Asia, and Australia.




A 230V power plug with two round pins.

230V

**REF** R8212, R8222  
R8312, R8322



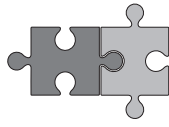
A world map with shaded regions indicating 120V power standards. The shaded areas include North America and parts of South America. An inset circle provides a magnified view of the North American region.



A 120V power plug with two flat pins.

120V

**REF** R8232, R8242  
R8332, R8342



R371370



R371470

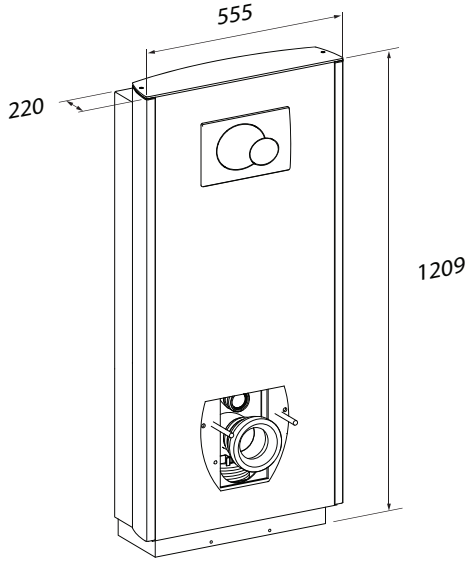


R371385

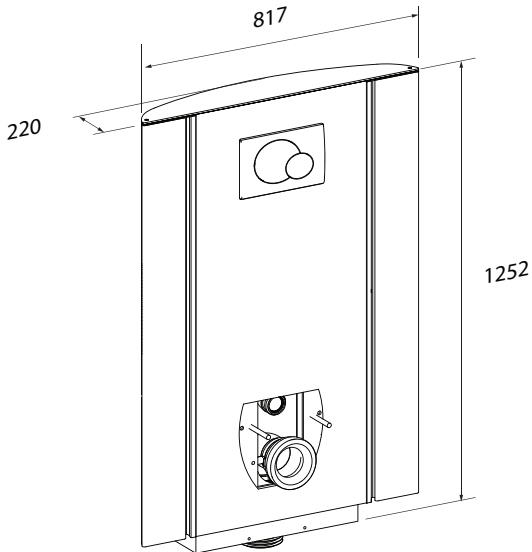


R371485

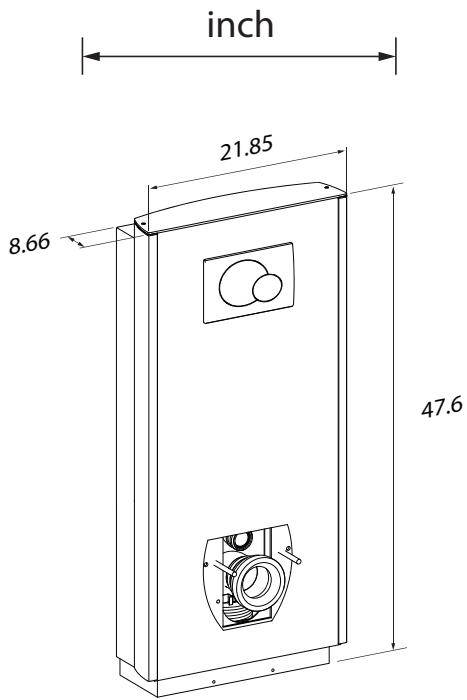
mm



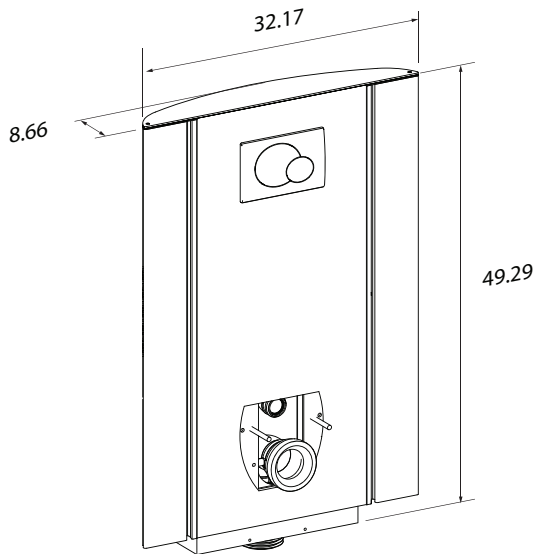
R8212, R8222, R8232, R8242



R8312, R8322, R8332, R8342



R8212, R8222, R8232, R8242



R8312, R8322, R8332, R8342



# Content

Mounting instruction .....	9
Symbols used in this manual .....	10
General safety .....	11
Product label .....	12
Intended use .....	14
Intended operator profile .....	14
Operating environment .....	14
Operating instructions .....	15
Support arms (optional) .....	16
Cleaning .....	17
To remove limescale .....	17
Maintenance .....	18
Maintenance inspection .....	18
Technical data .....	20
Trouble-shooting .....	21
Disposal and recycling .....	21

## Mounting instruction



A mounting instruction is included with the product. It can also be downloaded from [www.pressalit.com](http://www.pressalit.com).

# Symbols used in this manual

The following symbols are used in this manual as well as the associated documentation supplied with the product.



**WARNING** indicates a potentially hazardous situation which, if not avoided, could result in death or serious injury.



**CAUTION** indicates a potentially hazardous situation which, if not avoided, may result in minor or moderate injury. It may also be used to alert against unsafe practices.



**IMPORTANT** indicates important information about handling and use of the product.



**NOTICE** is used to address practices not related to personal safety.



Hand injury warning



Head injury warning



Feet injury warning



Electricity or potentially dangerous voltage



Compatible products

# General safety

## **WARNING**

- Read and understand the manual completely before use. Keep the manual close to the unit.
- Comply with this manual to avoid accidents involving serious personal injury.
- Never use or handle this product in other ways than are specified in this manual, as this can put your safety at risk and cause damage to the product.
- Make sure that everyone who is to install or use the product and its systems has the necessary information and access to this manual.

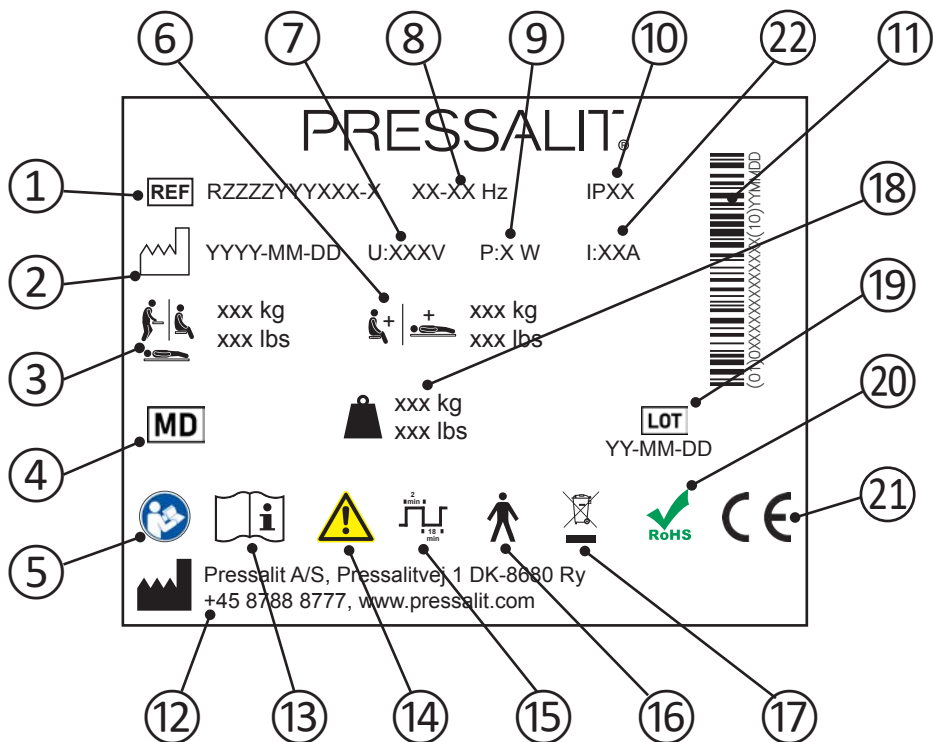
## **CAUTION**

- Please comply with these instructions to avoid the product becoming damaged or destroyed.
- Do not perform repairs, disassembly, or assembly operations, extensions, re-adjustments or modifications to this product. These must be carried out by Pressalit or by persons authorized by Pressalit only.
- Never allow children to operate this product unless under supervision. The product is not intended for play.
- Never use the product if it is defective or damaged. Do not use a defective product before it has been repaired.

## **NOTICE**

- The information in this manual is based on correct fitting of the product in accordance with our Assembly instruction.
- Pressalit cannot be held liable if the product is used in any way which differs from that described in the guide.
- We reserve the right to amend this manual without prior notice.

# Product label



- ① Article number

---

- ② Production date

---

- ③ Maximum user weight

---

- ④ Medical device

---

- ⑤ Consult manual for use

---

- ⑥ Max load

---

- ⑦ Mains voltage

---

- ⑧ Frequency

---

- ⑨ Maximum power consumption

10	IP class
11	GS1-128 barcode
12	Name and address of manufacturer
13	Consult manual for use
14	Consult the manual for important cautionary information such as warnings and precautions
15	Duty cycle
16	Type B applied part Part of the product in normal use necessarily comes into physical contact with the patient to perform its function The product complies with requirements of IEC 60601-1 to provide protection against electric shock
17	Do not dispose as unsorted municipal waste. The product should be collected separately and returned to the designated recycling service.
18	Product weight
19	Batch code
20	This product does not contain any of the hazardous substances mentioned in the Council Directive 2011/65/EC on RoHS.
21	These products are CE-marked in accordance with relevant requirements in: - Regulation (EU) 2017/745 (5 April 2017) on medical devices. - Council Directive 2006/42/EC (of 17 May 2006) on machinery. - Council Directive 2011/65/EC (of 8 June 2011) on RoHS. A declaration of conformity can be found at <a href="http://www.pressalit.com">www.pressalit.com</a> .
22	Electric Current

Product label placement ①.



## Intended use

This product is intended for optimum ergonomics at a toilet, for both seated and standing users with disabilities.

## Intended operator profile

The product can be used by all - adults, children, young and old.

en

## Operating environment

For indoor use in a wet environment, such as a bathroom or wash room. The product is intended to be used at room temperature in private homes, nursing homes and hospitals under normal working conditions.

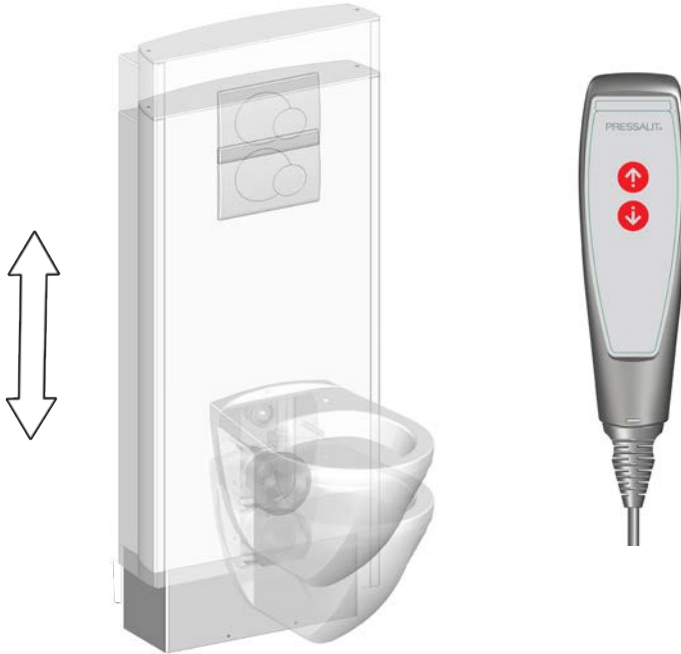


The surface of the product may become hot and / or cold if exposed to external sources of heat or cold (eg sunlight or frost).



Any serious incident that has occurred in relation to the product should be reported to the manufacturer and the health authorities.

# Operating instructions



The toilet lifter can be adjusted 400 mm / 15¾" up and down.

**Max user weight: 200 kg / 440 lbs**

**Max load: 235 kg / 518 lbs**

The height adjustment is controlled by the wired remote control unit.

Press and hold the Up button to raise the unit, and press and hold the Down button to lower the unit. When the button is released, the motion stops.



**Take care to avoid injury to hands, feet and head when in the vicinity of moving mechanical parts.**



**CAUTION**

Never place objects underneath the toilet.

# Support arms (optional)

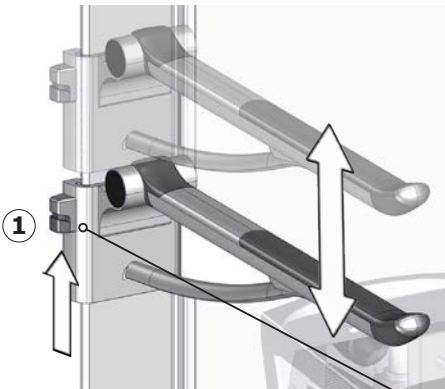


The toilet lifters model R8312, R8322, R8332 and R8342 can be equipped with support arms.

The support arms can be folded up and down. Fold them up when not in use.

The support arms can also be adjusted 240 mm / 8<sup>7</sup>/<sub>16</sub> inches in height.

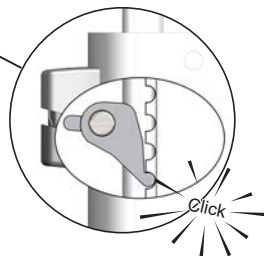
en



To adjust upwards, pull the support arm upwards.

To adjust the support arm downwards, pinch the locking button ① and pull the support arm a little bit upwards while holding the button. Then move the support arm downwards. Release the locking button to secure the support arm in place.

Make sure that the locking button pin is engaged in the notch.





# Cleaning

The product is to be cleaned with hot water or a mild soapy cleaning agent. A list of suitable cleaning agents tested by Pressalit can be found on [www.pressalit.com](http://www.pressalit.com).

## **CAUTION**

Always read the material safety data sheet (MSDS) and supplied instructions of the cleaning, disinfecting or de-scaling agent and comply with instructions for safe use, dilution, rinsing, drying, handling and storage of the agent.

## **IMPORTANT**

- Do not use an autoclave or other type of steam cleaner.
- Avoid aggressive cleaning agents containing acids
- Never spray the product directly with a high pressure cleaner.
- Avoid use of abrasive, corrosive or chlorine-based cleaning or disinfecting products.

### **To remove limescale**

To remove limescale marks on the aluminium parts, use 3 parts 30% household vinegar to 7 parts water and afterwards wipe the parts with a cloth wrung out in clean water.

In countries with relatively high levels of lime in the water supply, it may be necessary to remove limescale deposits from the aluminium parts using a de-scaling agent such as acetic acid. Test this first on a area that is not visible when the product is in use.

# Maintenance

Expected service life of the toilet lifter is 10 years, provided that maintenance is carried out once a year as described below.

## Maintenance inspection



Take the toilet to its highest position.



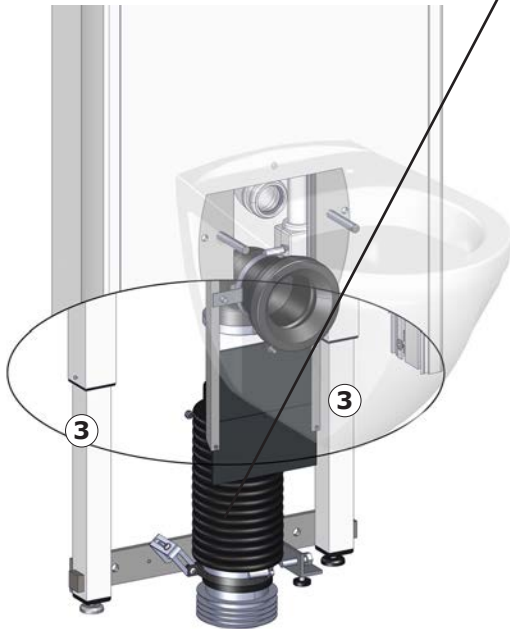
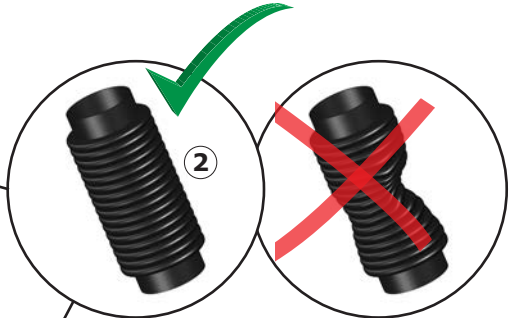
**Disconnect mains before removing the cover.**

Remove the lower cover plate ① (can be clicked off).

en

Reach up under the front cover to unplug the mains plug ① from the control box inside the cabinet.

Ensure that the flexible outlet hose ② can move freely when the toilet is height adjusted. The flexible outlet must be symmetrical when stretched out.



Lubricate the inner square tubes ③ on all 4 sides as far as can be reached.

Reconnect the mains plug.

Take the toilet to its lowest position, and then run it to the top position again to distribute the lubricant.

Reattach the lower cover plate.

en

# Technical data

Max user weight	200 kg / 440 lbs	
Max load	235 kg / 518 lbs	
Product weight	R8212, R8222 R8232, R8242	54,7 kg/ 120,59 lbs
	R8312, R8322 R8332, R8342	60,7 kg / 133,82 lbs

# Trouble-shooting

Symptom	Cause	Action
Operating buttons don't work.	Fault in power supply.	Check that all wires and plugs are intact and correctly connected.
The product runs up and down unevenly.	The sliding brackets are not properly lubricated.	Oil the sliding brackets as described under "Maintenance".

Contact Pressalit A/S or your local dealer if the problem cannot be remedied. Do not attempt to repair the product yourself, as this will invalidate the guarantee.

# Disposal and recycling

The unit contains reusable materials. There are no known hazards or risks associated with disposal of the product. All components can be discarded after having been cleaned and disinfected.

When disposing of the product, we recommend that it be disassembled and broken down into different waste groups for recycling or combustion.

The following table provides information on the recycling and handling of the product.

Recyclable components	Material
Steel	Steel can be recycled by being melted down and included as a secondary material in the production of new steel.
Plastics	Use plastic sorting and recycling systems where they are locally available, otherwise incinerating plastic has the added benefit of generating energy which can be used for, for example, combined heat and power production.
Electronics	The electronic components should be collected separately and returned to the designated recycling service.

en

# Indhold

Monteringsvejledning.....	22
Symboler, der er anvendt i denne vejledning .....	23
Generel sikkerhed .....	24
Produktmærkning .....	25
Tilsigtet brug .....	27
Tilsigtet personaleprofil .....	27
Betjeningsmiljø .....	27
Betjeningsinstruktioner .....	28
Toiletstøtter (valgfrie) .....	29
Rengøring .....	30
Sådan fjernes kalkaflejringer .....	30
Vedligeholdelse.....	31
Vedligeholdelsesinspektion .....	31
Tekniske data .....	33
Fejlfinding .....	34
Bortskaffelse og genbrug .....	34

dk

## Monteringsvejledning



Der følger en monteringsvejledning med dette produkt. Den kan også downloades fra [www.pressalit.com](http://www.pressalit.com).

# Symboler, der er anvendt i denne vejledning

Følgende symboler er anvendt i denne vejledning og i den tilhørende dokumentation, der følger med produktet.



**ADVARSEL** angiver en potentielt farlig situation, som, hvis den ikke undgås, kan medføre dødsfald eller alvorlig personskade.



**FORSIGTIG** angiver en potentielt farlig situation, som, hvis den ikke undgås, kan medføre større eller mindre personskade. Det kan også bruges til at advare om usikre fremgangsmåder.



**VIGTIGT** angiver vigtige oplysninger om håndtering og anvendelse af produktet.



**BEMÆRK** vedrører fremgangsmåder, der ikke er forbundet med personlig sikkerhed.



Advarsel om håndskade



Advarsel om hovedskade



Advarsel om fodskade



Elektricitet eller potentielt farlig spænding



Kompatible produkter

## Generel sikkerhed

### **ADVARSEL**

- Læs og forstå hele vejledningen før brug. Opbevar vejledningen tæt på produktet.
- Følg denne vejledning for at undgå uheld og alvorlig personskade.
- Dette produkt må aldrig bruges eller håndteres på anden måde end som angivet i denne vejledning, da dette vil kunne udgøre en risiko for din sikkerhed og beskadige produktet.
- Sørg for, at alle, der installerer eller bruger dette produkt og dets systemer, har de nødvendige oplysninger samt adgang til denne vejledning.

### **FORSIGTIG**

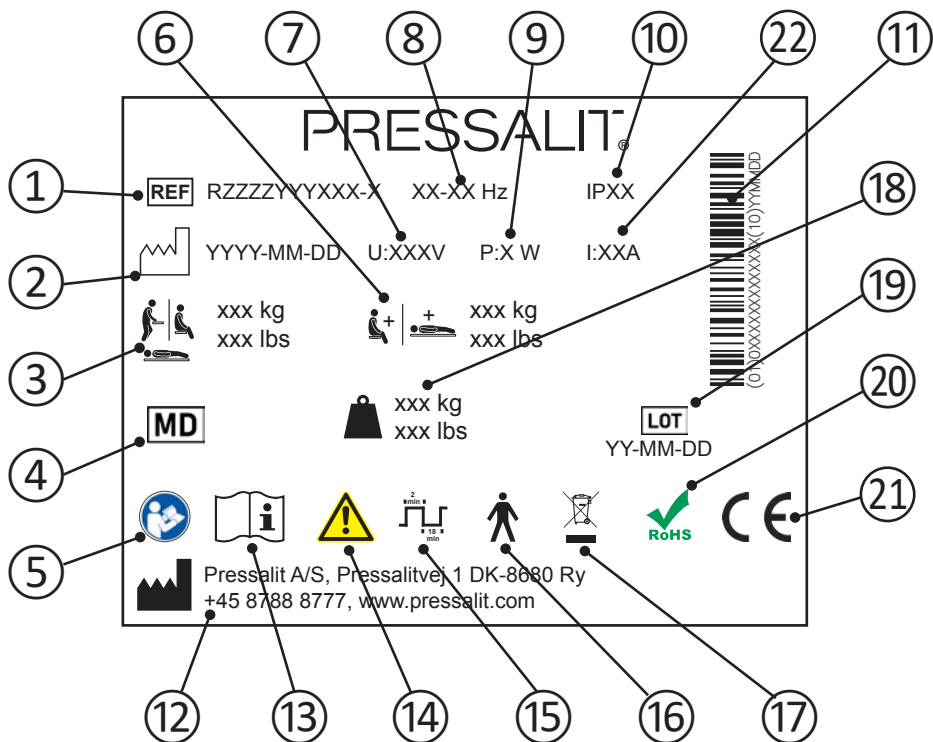
- Følg disse instruktioner for at undgå, at produktet beskadiges eller ødelægges.
- Der må ikke foretages reparationer, demontering, samlinger, udvidelser, tilpasninger eller ændringer på dette produkt. Dette må kun udføres af Pressalit eller af personer, som er autoriseret af Pressalit.
- Lad ikke børn betjene dette produkt uden opsyn. Produktet er ikke beregnet til leg.
- Produktet må ikke benyttes, hvis det er defekt eller beskadiget. Et defekt produkt må ikke anvendes, før det er repareret.

### **BEMÆRK**

- Oplysningerne i denne vejledning er baseret på korrekt justering af produktet i overensstemmelse med vores monteringsvejledning.
- Pressalit kan ikke holdes ansvarlig, hvis produktet bruges på andre måder end som beskrevet i vejledningen.
- Vi forbeholder os ret til at ændre denne vejledning uden forudgående varsel.



# Produktmærkning



dk

- ① Produktnummer

---

- ② Fremstillingsdato

---

- ③ Maks. brugervægt

---

- ④ Medicinsk udstyr

---

- ⑤ Se brugsvejledningen

---

- ⑥ Maksimal belastning

---

- ⑦ Netspænding

---

- ⑧ Frekvens

---

- ⑨ Maks. strømforbrug

⑩ IP-klasse

---

⑪ GS1-128-stregkode

---

⑫ Fabrikantens navn og adresse

---

⑬ Se brugsvejledningen

---

⑭ Se vigtige advarende oplysninger, som f.eks. advarsler og sikkerhedsforanstaltninger, i vejledningen.

---

⑮ Driftscyklus

---

⑯ Type B anvendt del. Dele af produktet vil under normal anvendelse nødvendigvis komme i fysisk kontakt med patienten. Produktet opfylder kravene i IEC 60601-1 for at beskytte mod elektrisk stød.

---

⑰ Må ikke bortskaffes som usorteret husholdningsaffald. Produktet skal indsamles særskilt og afleveres på den relevante genbrugsstation.

---

⑱ Produktvægt

---

⑲ Batchkode

---

⑳ Dette produkt indeholder ikke nogen af de farlige stoffer, der er nævnt i Rådets direktiv 2011/65/EF om RoHS.

---

Disse produkter er CE-mærket i overensstemmelse med relevante krav i:  
- Rådets forordning (EU) 2017/745 (af 5. april 2017) om medicinsk udstyr.  
- Maskindirektivet 2006/42/EØF (af 17. maj 2006).  
- RoHS-direktivet 2011/65/EU (af 8. juni 2011).

Der findes en overensstemmelseserklæring på [www.pressalit.com](http://www.pressalit.com).

---

㉑ Strømstyrke

Placering af produktmærkning ①.



## Tilsigtet brug

Dette produkt er tiltænkt som en optimal ergonomisk enhed til brug ved et toilet til både siddende og stående brugere med nedsat funktionsevne.

## Tilsigtet personaleprofil

Produktet kan bruges af alle – voksne, børn, unge og gamle.

## Betjeningsmiljø

Til indendørs brug i våde omgivelser, som f.eks. et badeværelse eller vaskerum. Produktet er beregnet til anvendelse ved stuetemperatur i private hjem, på plejehjem og hospitaler under normale arbejdsforhold.



Produktets overflade kan blive varm og/eller kold, hvis den udsættes for eksterne varme- eller kuldekilder (f.eks. sollys eller frost).



Enhver alvorlig hændelse, der er indtruffet i forbindelse med produktet, bør indberettes til fabrikanten og sundhedsmyndighederne.

# Betjeningsinstruktioner



Toiletløfteren kan justeres 400 mm op og ned.

dk

**Maks. brugervægt: 200 kg**

**Maks. belastning: 235 kg**

Højdejusteringen styres af håndbetjeningen.

Tryk på pil op-knappen, og hold den inde for at hæve enheden, og tryk på pil ned-knappen, og hold den inde for at sænke enheden. Når knappen slippes, stopper bevægelsen.



**Udvis forsigtighed for undgå skader på hænder, fødder og hoved, når disse er i nærheden af bevægelige mekaniske dele.**

**! FORSIGTIG**

Placer aldrig genstande under toilettet.

## Toiletstøtter (valgfrie)

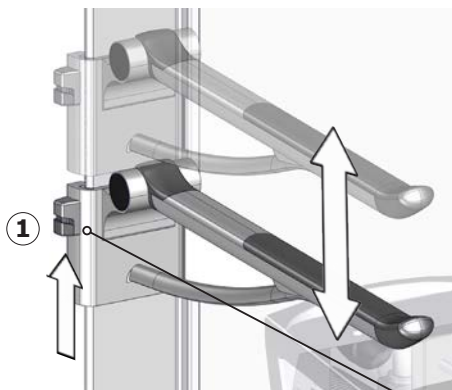


Toiletløftermodellerne R8312, R8322, R8332 og R8342 kan udstyres med Toiletstøtter.

Toiletstøtterne kan foldes op og ned. Fold dem op, når de ikke bruges.

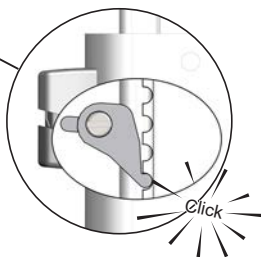
Toiletstøtterne kan også justeres 240 mm i højden.

For at justere toiletstøtten opad skal du trække den opad.



Sørg for, at låseknappens pal går i hak.

For at justere toiletstøtten nedad skal du klemme låseknappen ① sammen og trække toiletstøtten en lille smule opad, mens du holder på knappen. Flyt derefter toiletstøtten nedad. Slip låseknappen for at fastgøre toiletstøtten det ønskede sted.



dk

# Rengøring

Produktet skal rengøres med varmt vand eller mildt sæbevand. Der findes en liste over passende rengøringsmidler, der er testet af Pressalit, på [www.pressalit.com](http://www.pressalit.com).

## **FORSIGTIG**

Læs altid sikkerhedsdatabladet (MSDS) og de instruktioner, der følger med rengørings-, desinfektions- eller afkalkningsmidlet, og følg instruktionerne for sikker brug, fortynding, skylning, tørring, håndtering og opbevaring af midlet.

## **VIGTIGT**

- Brug ikke autoklavering eller en anden form for damprensere.
- Undgå stærke rengøringsmidler, der indeholder syre.
- Produktet må aldrig sprøjtes direkte med en højtryksrenser.
- Undgå brug af slibende, ætsende eller klorbaserede rengørings- eller desinfektionsmidler.

## Sådan fjernes kalkaflejringer

For at fjerne kalkaflejringer på aluminiumsdelene skal du bruge 3 dele 30 % husholdningseddike til 7 dele vand. Herefter tørres delene med en klud, der er vasket op i rent vand.

I lande med relativt højt kalkindhold i vandforsyningen, kan det være nødvendigt at fjerne kalkaflejringer fra aluminiumsdelene ved hjælp af et afkalkningsmiddel, som f.eks. eddikesyre. Afprøv først dette på et område, der ikke er synligt, når produktet er i brug.

# Vedligeholdelse

Den forventede levetid for toiletløfteren er 10 år, forudsat at der udføres vedligeholdelse én gang om året som beskrevet nedenfor.

## Vedligeholdelsesinspektion



Flyt toilettet til dets højeste position.



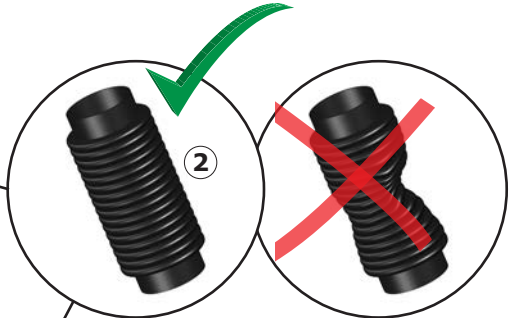
**Frakobl netstrømsforsyningen, før afskærmningerne tages af.**

dk

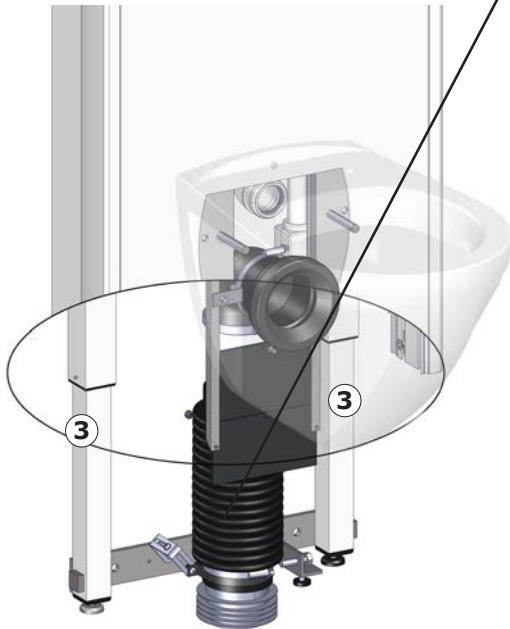
Fjern den nederste dækplade ① (kan klikkes af).

Ræk op under det forreste dæksel for at trække netstikket ① fra kontrolboksen inde i kabinettet.

Sørg for, at den fleksible afløbsslange ② kan bevæges frit, når toilettet justeres i højden. Det fleksible afløb skal være symmetrisk ved udstrækning.



dk



Smør de indvendige firkantede rør ③ på alle 4 sider så langt ind som muligt.

Gentilslut netstrømsforsyningen.

Kør toilettet til dets laveste position, og kød derefter til den øverste position igen for at fordele smøremidlet.

Påsat den nederste dækplade.



## Tekniske data

Maks. brugervægt	200 kg	
Maksimal belastning	235 kg	
Produktvægt	R8212, R8222 R8232, R8242	54,7 kg
	R8312, R8322 R8332, R8342	60,7 kg

## Fejlfinding

Symptom	Årsag	Handling
Betjeningsknapperne virker ikke.	Fejl i strømforsyningen.	Kontrollér, at alle ledninger og stik er intakte og korrekt tilsluttet.
Produktet kører ujævnt op og ned.	Glidebeslagene er ikke smurt tilstrækkeligt.	Smør glidebeslagene som beskrevet under "Vedligeholdelse".

Kontakt Pressalit A/S eller din lokale forhandler, hvis problemet ikke kan løses. Forsøg ikke selv at reparere produktet, da dette vil ugyldiggøre garantien.

## Bortskaffelse og genbrug

Produktet indeholder genbrugelige materialer. Der er ingen kendte farer eller risici forbundet med bortskaffelse af produktet. Alle komponenter kan bortskaffes efter at være blevet rengjort og desinficeret.

dk Ved bortskaffelse af produktet anbefales det, at det skilles ad og inddeles i forskellige affaldsgrupper til genbrug eller forbrænding.

Følgende tabel indeholder oplysninger om genbrug og håndtering af produktet.

Genanvendelige komponenter	Materiale
Stål	Stål kan genbruges ved hjælp af omsmeltnings og anvendes som sekundært materiale i produktionen af nyt stål.
Plastik	Brug plastiksorтерings- og genbrugssystemer, hvis de er tilgængelige i lokalområdet, og ellers har forbrænding af plastik den ekstra fordel, at det genererer energi, hvilket kan anvendes til f.eks. en kombination af varme- og kraftproduktion.
Elektronik	De elektroniske komponenter skal indsamles særskilt og afleveres på den relevante genbrugsstation.

# Inhalt

Montageanleitung .....	35
Symbole in dieser Gebrauchsanweisung .....	36
Allgemeine Sicherheitshinweise .....	37
Typenschild .....	38
Verwendungszweck .....	40
Vorgesehene Bediener .....	40
Betriebsbedingungen .....	40
Bedienungsanleitung .....	41
Stützklappgriffe (optional) .....	42
Reinigung .....	43
Entfernen von Kalkflecken .....	43
Wartung .....	44
Wartungsinspektion .....	44
Technische Daten .....	46
Fehlerbehebung .....	47
Entsorgung und Wiederverwertung .....	47

## Montageanleitung



Dem Produkt ist eine Montageanleitung beigelegt. Diese kann auch von der Website [www.pressalit.com](http://www.pressalit.com) heruntergeladen werden.

# Symbole in dieser Gebrauchsanweisung

Die folgenden Symbole werden sowohl in dieser Gebrauchsanweisung als auch in der mit dem Produkt mitgelieferten Dokumentation verwendet.

## **WARNUNG**

**WARNUNG** weist auf zu vermeidende Gefahrensituationen hin, die zum Tod oder zu schwerwiegenden Verletzungen führen können.

## **VORSICHT**

**VORSICHT** weist auf zu vermeidende Gefahrensituationen hin, die zu geringfügigen oder mittelschweren Verletzungen führen können. Es kann auch zur Warnung vor unsicheren Verfahren dienen.

## **WICHTIG**

**WICHTIG** weist auf wichtige Informationen zur Handhabung und Verwendung des Produkts hin.

## **HINWEIS**

**HINWEIS** kennzeichnet Verfahren und Informationen, ohne dass Verletzungsgefahr besteht.



Warnung:  
Verletzungsgefahr für  
die Hände



Warnung: Gefahr von  
Kopfverletzungen



Warnung:  
Verletzungsgefahr für  
die Füße



Elektrizität oder  
potenziell gefährliche  
Spannung



Kompatible Produkte

# Allgemeine Sicherheitshinweise

## **WARNUNG**

- Lesen Sie vor Verwendung des Produkts die Gebrauchsanweisung vollständig durch. Bewahren Sie die Gebrauchsanweisung in der Nähe des Produkts auf.
- Befolgen Sie diese Gebrauchsanweisung, um schwerwiegende Verletzungen zu vermeiden.
- Verwenden und handhaben Sie dieses Produkt ausschließlich wie in dieser Gebrauchsanweisung beschrieben. Anderenfalls besteht Verletzungsgefahr für den Anwender oder die Gefahr von Schäden am Produkt.
- Stellen Sie sicher, dass alle Personen, die dieses Produkt und seine Komponenten installieren oder verwenden, über die notwendigen Informationen verfügen und Zugang zu dieser Gebrauchsanweisung haben.

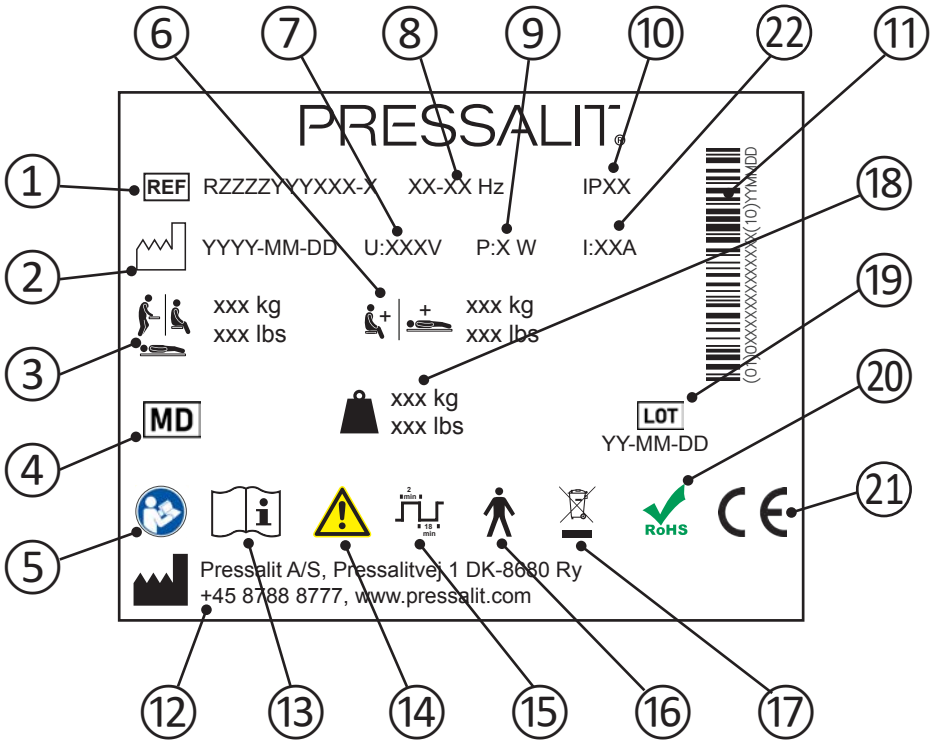
## **VORSICHT**

- Befolgen Sie diese Anweisungen, um Schäden am Produkt zu vermeiden.
- Nehmen Sie keine Reparaturen, Montagen, Erweiterungen, Anpassungen oder Veränderungen am Produkt vor und zerlegen Sie es nicht. Diese Arbeiten dürfen ausschließlich von Pressalit-Mitarbeitern oder von anderen, durch Pressalit autorisierten Personen durchgeführt werden.
- Lassen Sie niemals Kinder unbeaufsichtigt dieses Produkt bedienen. Das Produkt darf nicht als Spielzeug verwendet werden.
- Verwenden Sie das Produkt niemals, wenn es defekt oder beschädigt ist. Verwenden Sie ein defektes Produkt erst wieder, nachdem es repariert wurde.

## **HINWEIS**

- Die Informationen in dieser Gebrauchsanweisung setzen den korrekten Einbau des Produkts gemäß unserer Montageanweisung voraus.
- Pressalit haftet nicht, wenn das Produkt anders als in dieser Gebrauchsanweisung beschrieben verwendet wird.
- Änderungen vorbehalten.

# Typenschild



- ① Artikelnummer

---

- ② Herstellungsdatum

---

- ③ Maximales Gewicht des Anwenders

---

- ④ Medizinprodukt

---

- ⑤ Gebrauchsanweisung beachten.

---

- ⑥ Maximale Belastbarkeit

---

- ⑦ Netzspannung

---

- ⑧ Frequenz

---

- ⑨ Maximale Leistungsaufnahme

⑩ IP-Klasse

---

⑪ GS1-128-Barcode

---

⑫ Name und Anschrift des Herstellers

---

⑬ Gebrauchsanweisung beachten.

---

⑭ Wichtige Sicherheitshinweise und Vorsichtsmaßnahmen in der Gebrauchsanweisung beachten.

---

⑮ Betriebszyklus

---

⑯ Teil mit Patientenkontakt, Typ B. Ein Teil des Produkts kommt bei normalem Gebrauch notwendigerweise in physischen Kontakt mit dem Patienten, um seine vorgesehene Funktion zu erfüllen. Das Gerät entspricht den Anforderungen der IEC 60601-1 zum Schutz vor elektrischem Schlag.

---

⑰ Nicht als Hausmüll entsorgen. Das Produkt muss separat entsorgt und der entsprechenden Wiederverwertung zugeführt werden.

---

⑱ Gewichtangabe

---

⑲ Chargennummer

---

⑳ Dieses Produkt enthält keinen der in der Richtlinie 2011/65/EG des Rates zu RoHS genannten Gefahrstoffe.

---

Diese Produkte sind CE-gekennzeichnet gemäß den einschlägigen Anforderungen in:

- ㉑
- Verordnung (EU) 2017/745 (5 April 2017) über Medizinprodukte.
  - Der Maschinenrichtlinie 2006/42/EG (17 Mai 2006).
  - Der RoHS-Richtlinie 2011/65/EG (8 Juni 2011).

Eine Konformitätserklärung kann unter [www.pressalit.com](http://www.pressalit.com) eingesehen werden.

---

㉒ Elektrischer Strom

Position der Typenschilder ①.



## Verwendungszweck

Dieses Produkt bietet Menschen mit Behinderung sowohl im Sitzen als auch im Stehen eine optimale Ergonomie für WCs.

## Vorgesehene Bediener

Das Produkt kann von Erwachsenen und Kindern jeden Alters benutzt werden.

## Betriebsbedingungen

Zum Gebrauch in Nassräumen wie Badezimmern oder Waschräumen. Das Produkt ist unter normalen Arbeitsbedingungen bei Raumtemperatur in Privathaushalten, Pflegeeinrichtungen und Krankenhäusern vorgesehen.

### **VORSICHT**

Die Oberfläche des Produkts kann sich stark erhitzen bzw. abkühlen, wenn sie externen Wärme- bzw. Kältequellen ausgesetzt ist (z. B. Sonne oder Frost).

### **HINWEIS**

Jeder schwerwiegende Vorfall im Zusammenhang mit dem Produkt sollte dem Hersteller und den Gesundheitsbehörden gemeldet werden.



# Bedienungsanleitung



Der WC-Lifter kann um 400 mm nach oben und unten verstellt werden.

**Max. Gewicht des Benutzers: 200 kg**

**Maximale Belastbarkeit: 235 kg**

Die Höhenverstellung erfolgt über die kabelgebundene Fernbedienung.

Halten Sie zum Hochfahren des WCs die Taste „Auf“ und zum Absenken die Taste „Ab“ gedrückt. Wenn Sie die Taste loslassen, wird die Aufwärts- bzw. Abwärtsbewegung angehalten.

de



**Gehen Sie in der Nähe beweglicher mechanischer Teile vorsichtig vor, da hier die Gefahr von Verletzungen der Hände, der Füße und des Kopfes besteht.**



**VORSICHT**

Stellen Sie auf keinen Fall Gegenstände unter das WC.

# Stützklappgriffe (optional)



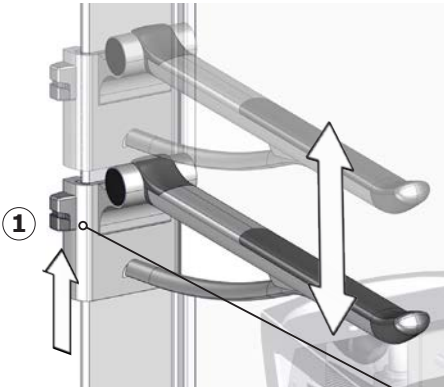
Die Modelle R8312, R8322, R8332 und R8342 des WC-Lifters können durch Stützklappgriffe ergänzt werden.

Die Stützklappgriffe können hoch- und heruntergeklappt werden. Klappen Sie sie wieder hoch, wenn sie nicht verwendet werden.

Die Stützklappgriffe können zudem um 240 mm nach oben und unten verstellt werden.

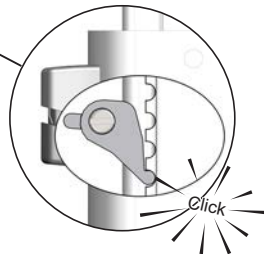
Ziehen Sie den Stützklappgriff nach oben, um die Höhe nach oben zu verstellen.

de



Um die Höhe nach unten zu verstellen, halten Sie die Feststelltaste ① gedrückt und ziehen Sie den Stützklappgriff gleichzeitig leicht nach oben. Bewegen Sie den Stützklappgriff dann nach unten. Lassen Sie die Feststelltaste wieder los, um den Stützklappgriff zu fixieren.

Stellen Sie sicher, dass die Feststelltaste in die Kerbe einrastet.



# Reinigung

Das Produkt kann mit heißem Wasser oder einem milden Reinigungsmittel gereinigt werden.

Eine Liste geeigneter Reinigungsmittel, die von Pressalit geprüft wurden, finden Sie unter [www.pressalit.com](http://www.pressalit.com).



Lesen Sie immer das Materialsicherheitsdatenblatt und die Gebrauchsanweisung des verwendeten Reinigungsmittels, Desinfektionsmittels oder Entkalkers, und befolgen Sie die Anweisungen zu sicherem Gebrauch, Verdünnung, Abspülen, Trocknen, Handhabung und Lagerung.

## WICHTIG

- Verwenden Sie keinen Autoklaven oder eine andere Art von Dampfreiniger.
- Verwenden Sie keine aggressiven, säurehaltigen Reinigungsmittel.
- Richten Sie niemals einen Hochdruckreiniger direkt auf das Produkt.
- Verwenden Sie keine scheuernden, korrosiven oder chlorhaltigen Reinigungs- oder Desinfektionsmittel.

de

## Entfernen von Kalkflecken

Entfernen Sie Kalkflecken auf den Aluminiumteilen mit einer Mischung aus 3 Teilen 30%igem Haushaltsessig und 7 Teilen Wasser. Wischen Sie die Aluminiumteile anschließend mit einem mit klarem Wasser befeuchteten, ausgewrungenen Tuch ab.

In Regionen mit relativ hartem Wasser kann es erforderlich sein, Kalkablagerungen mit einem Entkalker wie Essigsäure von den Aluminiumteilen zu entfernen. Testen Sie den Entkalker zunächst an einer Stelle, die bei Gebrauch des Produkts nicht sichtbar ist.

# Wartung

Die erwartete Nutzungsdauer des WC-Lifters beträgt 10 Jahre, wenn er wie nachstehend beschrieben einmal jährlich gewartet wird.

## Wartungsinspektion



Bringen Sie das WC in die höchstmögliche Position.



**Ziehen Sie den Netzstecker, bevor Sie die Abdeckung abnehmen.**

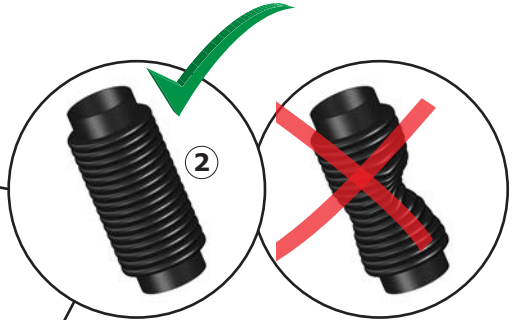
Nehmen Sie die untere Abdeckung ① ab (Klicksystem).

de

Greifen Sie unter die vordere Abdeckung und ziehen Sie den Netzstecker ① aus dem Schaltkasten unter der Abdeckung.

Stellen Sie sicher, dass der flexible Abflussschlauch ② frei beweglich ist, wenn die Höhe des WCs verstellt wird.

Im ausgefahrenen Zustand muss der Abflussschlauch symmetrisch sein.

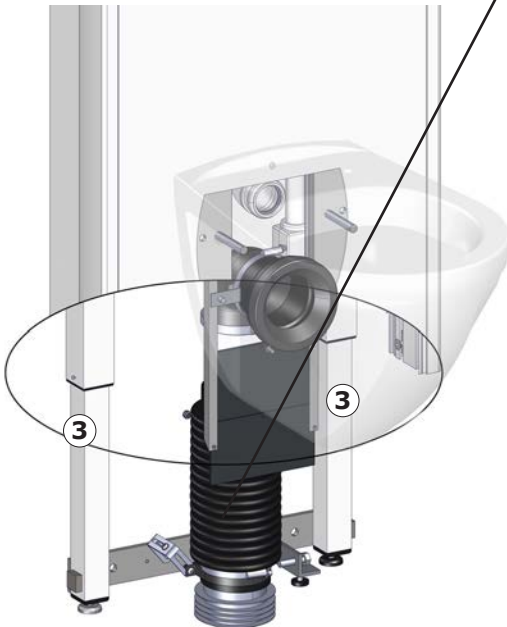


Schmieren Sie die innenliegenden viereckigen Rohre ③ auf allen 4 Seiten so weit wie möglich.

Schließen Sie den Netzstecker wieder an.

Bringen Sie das WC in die niedrigste Position und anschließend in die höchste Position, um das Schmiermittel zu verteilen.

Bringen Sie die untere Abdeckung wieder an.



# Technische Daten

Max. Gewicht des Benutzers	200 kg	
Maximale Belastbarkeit	235 kg	
Gewichtangabe	R8212, R8222 R8232, R8242	54,7 kg
	R8312, R8322 R8332, R8342	60,7 kg

# Fehlerbehebung

Problem	Ursache	Abhilfe
Die Bedientasten funktionieren nicht.	Defekt in der Stromversorgung.	Überprüfen Sie, ob alle Kabel und Stecker intakt und richtig angeschlossen sind.
Das Produkt ruckelt bei der Auf- und Abwärtsbewegung.	Die Gleithalterungen sind nicht richtig geschmiert.	Schmieren Sie die Gleithalterungen wie unter „Wartung“ beschrieben.

Falls sich das Problem nicht beheben lässt, wenden Sie sich an Pressalit A/S oder Ihren Händler vor Ort. Versuchen Sie nicht, das Produkt selbst zu reparieren, da hierdurch die Garantie erlischt.

# Entsorgung und Wiederverwertung

Das Produkt enthält wiederverwertbare Materialien. Die Entsorgung des Produkts ist mit keinen bekannten Gefahren oder Risiken verbunden. Alle Komponenten können entsorgt werden, nachdem sie gereinigt und desinfiziert wurden.

Wir empfehlen, das Produkt zur Entsorgung zu zerlegen und in die verschiedenen Abfallfraktionen für die Wiederverwertung oder Verbrennung zu trennen.

Die folgende Tabelle enthält weitere Angaben zur Wiederverwertung und Entsorgung des Produkts.

Wiederwertbare Komponenten	Material
Stahl	Stahl kann durch Einschmelzen wiederverwertet werden und als Sekundärmaterial in die Produktion von Neustahl einfließen.
Kunststoff	Nutzen Sie die örtlich verfügbaren Trenn- und Recyclingsysteme. Ansonsten hat die Verbrennung von Kunststoff den zusätzlichen Vorteil, dass dabei Energie erzeugt wird, die beispielsweise für die kombinierte Erzeugung von Wärme und Strom genutzt werden kann.
Elektronik	Die elektronischen Komponenten müssen separat entsorgt und der entsprechenden Wiederverwertung zugeführt werden.

# Sommaire

Notice de montage.....	48
Symbols used in this manual.....	49
Mesures de sécurité générales .....	50
Étiquette du produit .....	51
Usage prévu.....	53
Profil d'opérateur prévu .....	53
Environnement d'exploitation .....	53
Mode d'emploi.....	54
Barres de relèvement (facultatives) .....	55
Nettoyage.....	56
Enlever le tartre.....	56
Entretien .....	57
Contrôle de maintenance .....	57
Données techniques .....	59
Dépannage .....	60
Mise au rebut et recyclage .....	60

fr

## Notice de montage



Une notice de montage est incluse avec le produit. Elle est également téléchargeable sur le site [www.pressalit.com](http://www.pressalit.com).



# Symboles utilisés dans ce manuel

Les symboles suivants sont utilisés dans ce manuel et la documentation associée fournie avec le produit.

## **AVERTISSEMENT**

**AVERTISSEMENT** indique une situation potentiellement dangereuse susceptible d'entraîner la mort ou de graves blessures si elle n'est pas évitée.

## **ATTENTION**

**ATTENTION** indique une situation potentiellement dangereuse susceptible d'entraîner des blessures légères ou modérées si elle n'est pas évitée. Peut également être utilisé pour mettre en garde contre des pratiques dangereuses.

## **IMPORTANT**

**IMPORTANT** indique des informations importantes sur la manipulation et l'utilisation du produit.

## **REMARQUE**

**REMARQUE** est utilisé pour aborder des pratiques non associées à la sécurité personnelle.



Avertissement de risque de blessure à la main



Avertissement de risque de blessure de la tête



Avertissement de risque de blessure aux pieds



Électricité ou tension potentiellement dangereuse



Produits compatibles

## Mesures de sécurité générales



### **AVERTISSEMENT**

- Il est nécessaire de lire et de comprendre le manuel dans son intégralité avant d'utiliser le produit. Conserver le manuel près de l'unité.
- Respecter les instructions de ce manuel pour éviter tout accident impliquant de graves blessures corporelles.
- Ne jamais utiliser ou manipuler ce produit d'une autre manière que celle spécifiée dans ce manuel, car cela risquerait de mettre en danger votre sécurité et d'endommager le produit.
- Veiller à ce que toute personne devant installer ou utiliser le produit et ses systèmes dispose des informations nécessaires et puisse accéder à ce manuel.



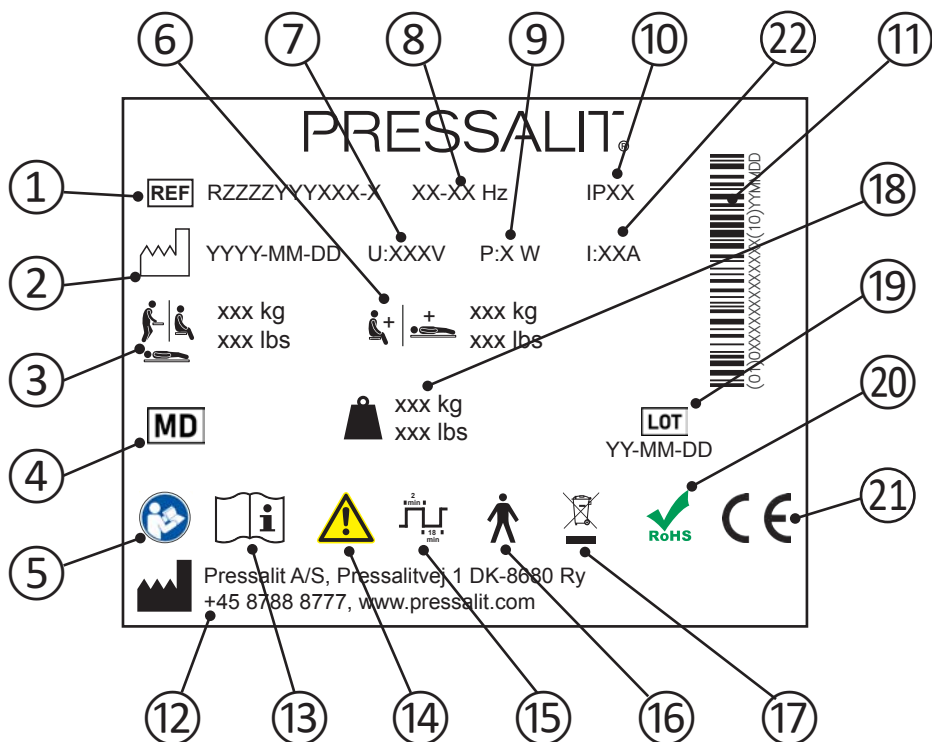
### **ATTENTION**

- Respecter ces instructions pour éviter d'endommager ou de détruire le produit.
- Ne pas procéder à des réparations, démontages, montages, extensions, réajustements ou modifications de ce produit. Ces opérations doivent être réalisées uniquement par Pressalit ou des personnes autorisées par Pressalit.
- Ne jamais permettre à des enfants d'utiliser ce produit, sauf sous surveillance. Le produit n'est pas destiné au jeu.
- Ne jamais utiliser le produit s'il est défectueux ou endommagé. Ne pas utiliser un produit défectueux avant de l'avoir fait réparer.

### **REMARQUE**

- Les informations contenues dans ce manuel reposent sur une installation correcte du produit selon la notice de montage.
- Pressalit ne saurait être tenu responsable en cas d'utilisation du produit autre que celle décrite dans le manuel.
- Nous nous réservons le droit de modifier ce manuel sans préavis.

# Étiquette du produit



- ① Numéro d'article

---

- ② Date de fabrication

---

- ③ Poids maximal de l'utilisateur

---

- ④ Dispositif médical

---

- ⑤ Consulter le manuel d'utilisation

---

- ⑥ Charge maximale

---

- ⑦ Tension de secteur

---

- ⑧ Fréquence

---

- ⑨ Consommation électrique maximum

⑩ Classe IP

---

⑪ Code-barres GS1-128

---

⑫ Nom et adresse du fabricant

---

⑬ Consulter le manuel d'utilisation

---

⑭ Consulter le manuel pour les mises en garde importantes telles que les avertissements et les précautions

---

⑮ Cycle de service

---

⑯ Pièce appliquée de type B. Pièce du produit qui, dans des conditions normales d'utilisation, est obligatoirement en contact avec le patient pour remplir sa fonction. Le produit est conforme aux exigences de protection contre les chocs électriques de la norme CEI 60601-1.

---

⑰ Ne pas le mettre au rebut sous forme de déchets municipaux non triés. Le produit doit être collecté séparément des autres déchets et renvoyé au service de recyclage désigné.

---

⑱ Poids du produit

---

⑲ Code du lot

---

⑳ Ce produit ne contient aucune des substances dangereuses mentionnées dans la Directive RoHS 2011/65/CE du Conseil.

---

Ces produits sont marqués CE conformément aux exigences pertinentes de :

- Règlement (UE) 2017/745 relatif (du 5 avril 2017) aux dispositifs médicaux.

㉑ - La directive 2006/42/CE du Conseil (du 17 mai 2006) sur les mécanismes.

- La directive 2011/65/UE (du 8 juin 2011) sur RoHS.

Une déclaration de conformité est disponible sur [www.pressalit.com](http://www.pressalit.com).

---

㉒ Courant électrique

Position de l'étiquette du produit ①.



## Usage prévu

Ce produit a été conçu pour offrir une ergonomie optimale d'adaptation à une cuvette pour les utilisateurs à mobilité réduite en position assise ou debout.

## Profil d'opérateur prévu

Le produit peut être utilisé par tous : adultes, enfants, adolescents, personnes âgées.

## Environnement d'exploitation

Pour un usage en intérieur dans un environnement humide tel qu'une salle de bain. Le produit est prévu pour être utilisé à température ambiante dans des logements privés, services hospitaliers de long séjour et hôpitaux, dans des conditions de fonctionnement normales.



La surface du produit peut être chaude et/ou froide si elle est exposée à des sources externes de chaleur ou de froid (par exemple, le soleil ou le gel).

## REMARQUE

Tout incident grave survenu en lien avec le produit devrait faire l'objet d'une notification au fabricant et à l'autorité compétente.

# Mode d'emploi



Les ensembles WC peuvent être montés ou abaissés de 400 mm.

**Poids maximal de l'utilisateur : 200 kg**

**Charge maximale : 235 kg**

Le réglage de la hauteur est contrôlé par la télécommande filaire.

Appuyez sur la flèche du haut et maintenez-la enfoncée pour lever l'unité, et appuyez sur la flèche du bas et maintenez-la enfoncée pour la baisser. Le mouvement s'arrête dès que vous relâchez la touche.



**Attention au risque de blessure des mains, des pieds et de la tête à proximité de pièces mécaniques mobiles.**



**ATTENTION**

Ne jamais placer d'objets en dessous de la cuvette.

## Barres de relèvement (facultatives)



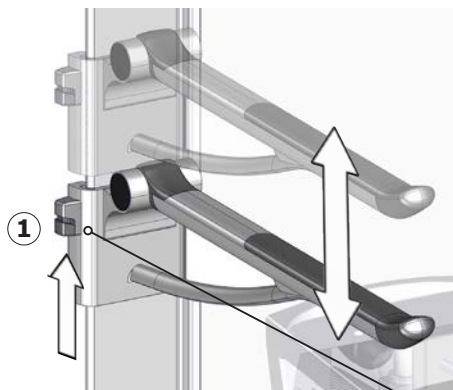
Les modèles R8312, R8322, R8332 et R8342 des ensembles WC peuvent être équipés de barres de relèvement.

Les barres de relèvement peuvent être repliées vers le haut ou vers le bas. Rabattez-les vers le haut lorsqu'elles ne sont pas utilisées.

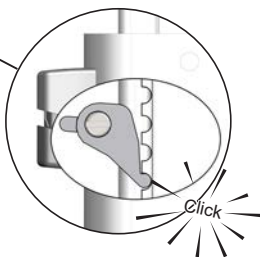
Les barres de relèvement peuvent également être montées ou abaissées de 240 mm.

Pour relever la barre de relèvement, poussez-la vers le haut.

Pour abaisser la barre de relèvement, pincez le bouton de verrouillage ① et poussez la barre de relèvement légèrement vers le haut tout en maintenant le bouton. Abaissez ensuite la barre de relèvement. Relâchez le bouton de verrouillage pour bloquer la barre de relèvement.



Assurez-vous que la tige du bouton de verrouillage est bien engagée dans le cran.



# Nettoyage

Le produit doit être nettoyé à l'aide d'eau chaude ou d'un agent nettoyant légèrement savonneux.

Vous trouverez une liste d'agents de nettoyage testés par Pressalit sur le site [www.pressalit.com](http://www.pressalit.com).

## **ATTENTION**

Toujours lire les fiches techniques de sécurité du matériel et les notices fournies de l'agent de nettoyage, de désinfection ou de détartrage, et respecter les instructions relatives à l'utilisation sécurisée, la dilution, le rinçage, le séchage, la manipulation et le stockage de l'agent.

## **IMPORTANT**

- Ne pas utiliser d'autoclave ou tout autre type de nettoyeur à vapeur.
- Éviter les agents de nettoyage agressifs contenant des acides.
- Ne jamais asperger le produit directement à l'aide d'un nettoyeur haute pression.
- Éviter d'utiliser des produits de nettoyage ou de désinfection abrasifs, corrosifs ou à base de chlore.

fr

## Enlever le tartre

Pour enlever les marques de tartre sur les pièces en aluminium, utilisez 3 parts de vinaigre blanc à 30 % pour 7 parts d'eau, puis essuyez les pièces à l'aide d'un chiffon trempé dans de l'eau claire et essoré.

Dans les pays dont l'alimentation en eau présente des niveaux de tartre relativement élevés, il peut s'avérer nécessaire d'enlever les dépôts de tartre des pièces en aluminium à l'aide d'un agent de détartrage comme l'acide acétique. Faites d'abord un essai sur une zone non visible lorsque le produit est utilisé.



# Entretien

La durée de vie prévue des ensembles WC est de 10 ans, à condition que l'entretien soit effectué une fois par an comme décrit ci-dessous.

## Contrôle de maintenance



Positionnez la cuvette le plus haut possible.



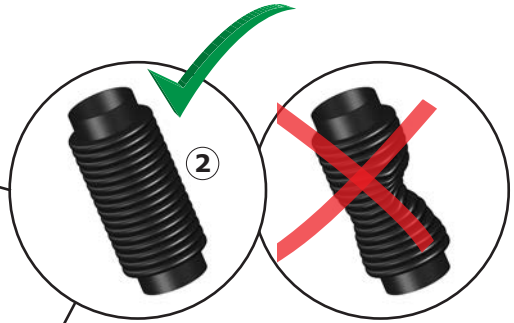
**Débranchez  
l'alimentation  
avant de retirer le  
couvercle.**

Retirez la plaque de recouvrement inférieure ① (peut être déclipsée).

fr

Passer en dessous du couvercle avant pour débrancher la prise secteur ① du boîtier de commande situé sous le couvercle.

Assurez-vous que le tuyau d'évacuation flexible ② peut bouger librement lors du réglage en hauteur de la cuvette. L'évacuation flexible doit être symétrique lorsqu'elle est étirée.

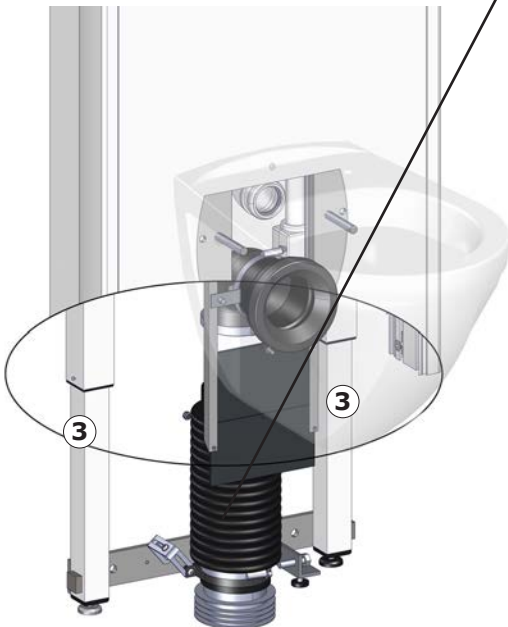


Lubrifiez les 4 faces des tubes carrés internes ③, et ce aussi loin que possible.

Rebranchez la prise secteur.

Amenez la cuvette à sa position la plus basse, puis faites-la remonter à sa position la plus haute pour bien distribuer le lubrifiant.

Remplacez la plaque de recouvrement inférieure.



## Données techniques

Poids maximal de l'utilisateur	200 kg	
Charge maximale	235 kg	
Poids du produit	R8212, R8222 R8232, R8242	54,7 kg
	R8312, R8322 R8332, R8342	60,7 kg

## Dépannage

Problème	Cause	Mesure
Les boutons de fonction ne fonctionnent pas.	Problème au niveau de l'alimentation électrique.	Vérifiez que tous les câbles et prises sont intacts et correctement raccordés.
Le produit monte et descend de façon irrégulière.	Les traverses coulissantes ne sont pas bien lubrifiées.	Graissez les traverses coulissantes comme décrit à la section « Entretien ».

Contactez Pressalit A/S ou votre représentant local si vous ne parvenez pas à résoudre le problème. N'essayez pas de réparer vous-même le produit car cela annulerait la garantie.

## Mise au rebut et recyclage

L'unité contient des matériaux réutilisables. Il n'y a aucun risque connu associé à la mise au rebut du produit. Tous les composants peuvent être mis au rebut après avoir été nettoyés et désinfectés.

Lors de la mise au rebut du produit, nous recommandons de le démonter et de le décomposer en différents groupes de déchets en vue de leur recyclage ou incinération.

Le tableau suivant fournit des informations sur le recyclage et la manipulation du produit.

Composants recyclables	Matériau
Acier	L'acier peut être recyclé en étant fondu et inclus en tant que matériau secondaire dans la production d'acier nouveau.
Matières synthétiques	Utilisez les systèmes locaux de tri et de recyclage des matières synthétiques. Alternativement, l'incinération des matières synthétiques présente l'avantage de générer de l'énergie qui peut être utilisée, par exemple, pour la production combinée de chaleur et d'électricité.
Composants électroniques	Les composants électroniques doivent être collectés séparément des autres déchets et renvoyés au service de recyclage désigné.

# Inhoud

Montage-instructies .....	61
Symbolen die in deze handleiding .....	62
Algemene veiligheid .....	63
Productlabel .....	64
Beoogd gebruik .....	66
Profiel van beoogde bediener .....	66
Gebruiksomgeving .....	66
Gebruiksaanwijzingen .....	67
Steunarmen (optioneel) .....	68
Reinigen .....	69
Kalkafzetting verwijderen .....	69
Onderhoud .....	70
Onderhoudsinspectie .....	70
Technische gegevens .....	72
Probleemoplossing .....	73
Afvoer en recycling .....	73

## Montage-instructies



Er worden montage-instructies met dit product meegeleverd.  
U kunt deze ook via [www.pressalitcare.com](http://www.pressalitcare.com) downloaden.

# Symbolen die in deze handleiding

De volgende symbolen worden gebruikt in deze handleiding en de bijbehorende documentatie die met het product is meegeleverd.

## **WAARSCHUWING**

**WAARSCHUWING** geeft een mogelijk gevaarlijke situatie aan die, indien niet vermeden, kan leiden tot overlijden of ernstig letsel.

## **LET OP**

**LET OP** geeft een mogelijk gevaarlijke situatie aan die, indien niet vermeden, kan leiden tot licht of matig letsel. 'Let op' kan ook worden gebruikt om de gebruiker te waarschuwen voor onveilige praktijken.

## **BELANGRIJK**

**BELANGRIJK** geeft belangrijke informatie aan over het hanteren en gebruiken van het product.

## **OPMERKING**

**OPMERKING** wordt gebruikt om praktijken aan te duiden die geen betrekking hebben op de persoonlijke veiligheid.



Waarschuwing voor  
handletsel



Waarschuwing voor  
hoofdletsel



Waarschuwing voor  
voetletsel



Elektriciteit of mogelijk  
gevaarlijke spanning



Compatibele producten

# Algemene veiligheid



## WAARSCHUWING

- Lees de handleiding vóór gebruik volledig door en zorg dat u deze begrijpt. Houd de handleiding in de buurt van de eenheid.
- Houd u aan deze handleiding om ongelukken met ernstig persoonlijk letsel te voorkomen.
- Gebruik of hanteer dit product nooit op een andere manier dan in deze handleiding staat beschreven, omdat dit uw veiligheid in gevaar kan brengen en schade aan het product kan veroorzaken.
- Zorg ervoor dat iedereen die het product en de bijbehorende systemen gaat plaatsen of gebruiken, is voorzien van de benodigde informatie en toegang heeft tot deze handleiding.



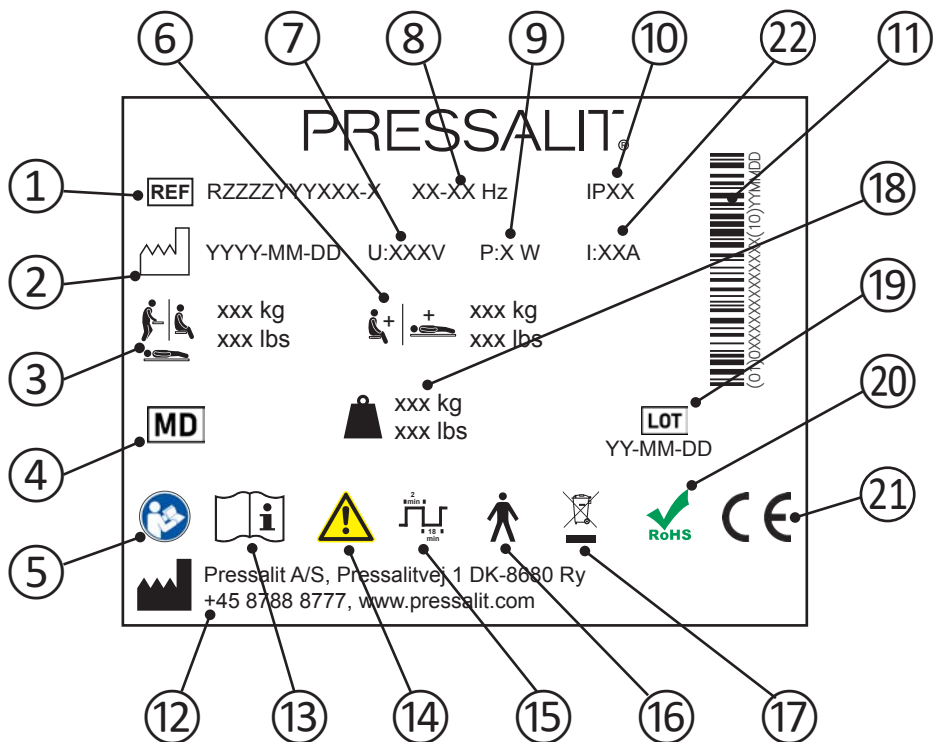
## LET OP

- Volg deze instructies op om te voorkomen dat het product wordt beschadigd of vernietigd.
- Voer geen reparaties, (de)montagewerkzaamheden, uitbreidingen, afstellingen of aanpassingen uit met betrekking tot dit product. Deze werkzaamheden mogen uitsluitend worden uitgevoerd door Pressalit of door personen die door Pressalit zijn gemachtigd.
- Kinderen mogen nooit zonder toezicht dit product bedienen. Dit product is geen speelgoed.
- Gebruik dit product nooit als het defect of beschadigd is. Gebruik het product niet voordat het is gerepareerd.

## OPMERKING

- De informatie in deze handleiding is gebaseerd op een juiste passing van het product conform onze montage-instructies.
- Pressalit is niet aansprakelijk wanneer het product wordt gebruikt op een manier die afwijkt van de in de gids beschreven manier.
- We behouden ons het recht voor deze handleiding aan te passen zonder voorafgaande kennisgeving.

# Productlabel



- ① Artikelnummer

---

- ② Fabricagedatum

---

- ③ Maximaal gewicht van gebruiker

---

- ④ Medisch hulpmiddel

---

- ⑤ Raadpleeg de gebruikshandleiding

---

- ⑥ Max. belastbaarheid

---

- ⑦ Netspanning

---

- ⑧ Frequentie

---

- ⑨ Maximaal stroomverbruik



⑩	IP-klasse
⑪	GS1-128-barcode
⑫	Naam en adres van fabrikant
⑬	Raadpleeg de gebruikshandleiding
⑭	Raadpleeg de handleiding voor belangrijke waarschuwingsinformatie, zoals waarschuwingen en voorzorgsmaatregelen
⑮	Levenscyclus
⑯	Toegepast onderdeel type B. Een deel van het product komt bij normaal gebruik noodzakelijkerwijs in contact met het lichaam van de patiënt. Het product voldoet aan de vereisten van IEC 60601-1 betreffende het bieden van bescherming tegen elektrische schokken
⑰	Niet afvoeren met het ongesorteerde huishoudelijk afval. Het product moet afzonderlijk worden ingezameld en worden getourneerd aan een speciale recyclingdienst.
⑱	Gewicht van product
⑲	Batchcode
⑳	Dit product bevat geen van de gevaarlijke stoffen die worden vermeld in Europese richtlijn 2011/65/EG betreffende RoHS.
㉑	Deze producten zijn CE-gemarkeerd in overeenstemming met de relevante vereisten in: - Verordening (EU) 2017/745 (van 5 april 2017) betreffende medische hulpmiddelen. - Machinerichtlijn 2006/42/EEG (van 17 mei 2006). - RoHS-richtlijn 2011/65/EG (van 8 juni 2011). De conformiteitsverklaring kan worden gevonden op <a href="http://www.pressalit.com">www.pressalit.com</a> .
㉒	Elektrische stroom

Plaatsing productlabel ①.



## Beoogd gebruik

Dit product is bedoeld voor optimale ergonomie bij een toilet voor zowel zittende als staande gebruikers met een handicap.

### Profiel van beoogde bediener

Het product kan door iedereen worden gebruikt: volwassenen, kinderen, jong en oud.

### Gebruiksomgeving

Voor gebruik binnenshuis in een natte omgeving, zoals een badkamer of wasruimte. Het product is bedoeld om bij kamertemperatuur te worden gebruikt, in woningen, verpleeghuizen en ziekenhuizen onder normale bedrijfsomstandigheden.



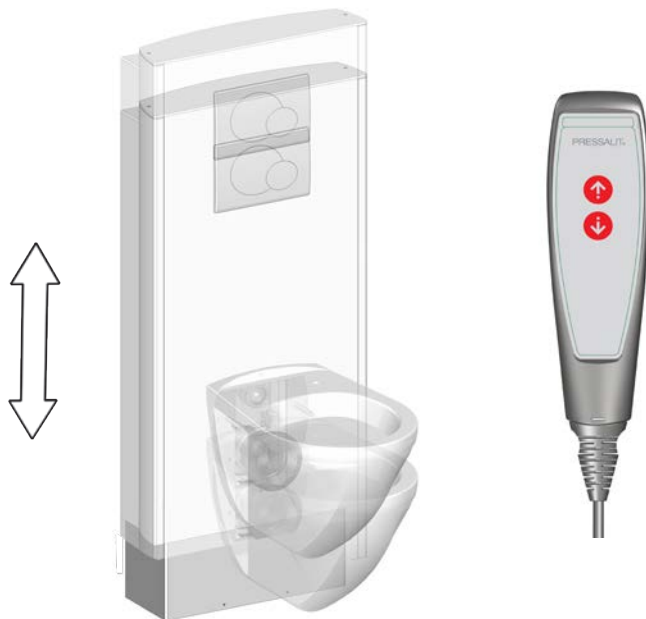
**LET OP**

Het oppervlak van het product kan heet en/of koud worden als het wordt blootgesteld aan externe warmte- of koudebronnen als zonlicht of vorst.

**OPMERKING**

Elk ernstig voorval in verband met het hulpmiddel moet worden gemeld aan de fabrikant en de bevoegde autoriteit.

# Gebruiksaanwijzingen



Het hoog-laag-toiletsysteem kan 400 mm omhoog of omlaag worden versteld.

**Maximaal gewicht gebruiker: 200 kg**

**Max. belastbaarheid: 235 kg**

De hoogteafstelling kan worden geregeld met de bedrade afstandsbedieningseenheid.

Houd de toets Omhoog ingedrukt om de eenheid te verhogen en houd de toets Omlaag ingedrukt om de eenheid te verlagen. Het toilet stopt met bewegen wanneer u de knop loslaat.



**Wees voorzichtig om letsel aan uw handen, voeten en hoofd te voorkomen wanneer u zich in de buurt bevindt van bewegende mechanische onderdelen.**



**LET OP**

Plaats geen voorwerpen onder het toilet.

## Steunarmen (optioneel)

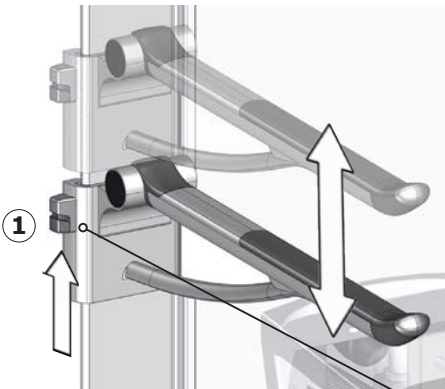


Modellen R8312, R8322, R8332 en R8342 van de hoog-laag-toiletsystemen kunnen worden uitgerust met steunarmen.

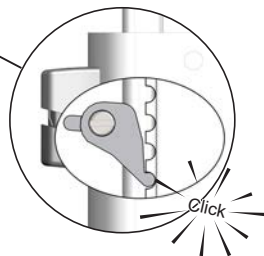
De steunarmen kunnen omhoog en omlaag worden geklapt. Klap hem omhoog wanneer hij niet wordt gebruikt.

De steunarmen kunnen ook 240 mm in hoogte worden versteld. Trek de steunarmen omhoog om ze hoger af te stellen.

Als u de steunarm naar beneden wilt verstellen, houd dan de vergrendelingsknop ① ingedrukt en trek de steunarm een beetje omhoog. Beweeg de steunarm vervolgens omlaag. Laat de vergrendelingsknop los om de steunarm op zijn plaats vast te zetten.



Zorg ervoor dat de pen van de vergrendelingsknop in de inkeping is geplaatst.



# Reinigen

Het product dient met warm water of een mild reinigingsmiddel te worden gereinigd.

Een lijst met geschikte reinigingsmiddelen die zijn getest door Pressalit vindt u op [www.pressalit.com](http://www.pressalit.com).



## LET OP

Lees altijd het veiligheidsinformatieblad (MSDS) en de geleverde instructies voor het reinigings-, desinfectie- of ontkalkingsmiddel en volg alle instructies voor veilig gebruik, verdunnen, spoelen, drogen, hanteren en opslaan van het middel op.

## BELANGRIJK

- Gebruik geen autoclaaf of een andere stoomreiniger.
- Vermijd het gebruik van agressieve reinigingsmiddelen die zuur bevatten.
- Spuit nooit rechtstreeks met een hogedrukspuit op het product.
- Vermijd het gebruik van schurende of bijtende reinigings- of desinfectieproducten of reinigings- of desinfectieproducten op basis van chloor.

## Kalkafzetting verwijderen

Gebruik 3 delen schoonmaakazijn (30%) en 7 delen water om kalkafzetting op de aluminium delen te verwijderen en veeg de onderdelen daarna af met een doek die in schoon water is uitgewrongen.

In landen met relatief hard water kan het nodig zijn om kalkafzettingen van aluminium onderdelen te verwijderen met een ontkalkingsmiddel, zoals azijnzuur. Test het product eerst op een deel dat niet zichtbaar is wanneer het product in gebruik is.

# Onderhoud

De verwachte levensduur van het hoog-laag-toiletsysteem is 10 jaar, op voorwaarde dat onderhoud jaarlijks wordt uitgevoerd zoals hieronder beschreven.

## Onderhoudsinspectie



Zet het toilet in de hoogste stand.

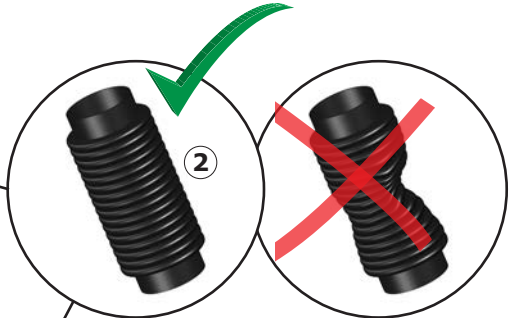


**Koppel de netvoeding van het product los voordat u de afdekking verwijdert.**

Verwijder de onderste afdekplaat ① (kan worden losgeklikt).

Reik onder de afdekking aan de voorzijde omhoog om de voedingskabel ① naar de regelkast in de behuizing los te maken.

Zorg ervoor dat de flexibele afvoerslang ② vrij kan bewegen wanneer het toilet in hoogte wordt veresteld. De flexibele afvoer moet in uitgetrokken toestand symmetrisch zijn.

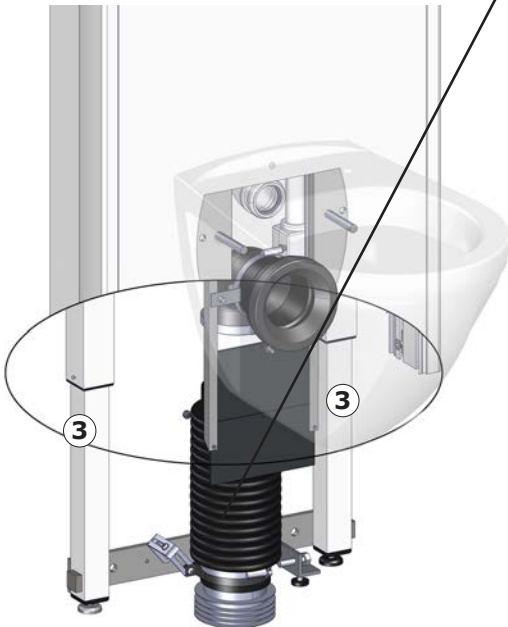


Breng op alle 4 de zijden van de binnenste vierkante buizen ③ smeermiddel aan op de plekken waar u bij kunt.

Sluit de voedingskabel weer aan.

Laat het toilet neer tot de laagste stand en breng het vervolgens terug naar de hoogste stand om het smeermiddel te verdelen.

Bevestig de onderste afdekplaat weer.



## Technische gegevens

Maximaal gewicht gebruiker	200 kg	
Max. belastbaarheid	235 kg	
Gewicht van product	R8212, R8222 R8232, R8242	54,7 kg
	R8312, R8322 R8332, R8342	60,7 kg



# Probleemoplossing

Symptoom	Oorzaak	Actie
Bedieningsknoppen functioneren niet.	Storing in voedingseenheid.	Controleer of alle kabels en stekkers intact zijn en correct zijn aangesloten.
Het product beweegt ongelijkmatig omhoog en omlaag.	De schuivende beugels zijn niet goed gesmeerd.	Smeer de schuivende beugels zoals beschreven in "Onderhoud".

Neem contact op met Pressalit A/S of uw plaatselijke dealer als het probleem niet kan worden verholpen. Probeer niet zelf het product te repareren, omdat de garantie hierdoor komt te vervallen.

## Afvoer en recycling

De eenheid bevat herbruikbare materialen. Er zijn geen bekende gevaren of risico's gekoppeld aan het afvoeren van het product. Alle onderdelen kunnen na reiniging en desinfectie worden afgevoerd.

We raden u aan het product bij afvoer te demonteren en onder te verdelen in afvalgroepen voor recycling of verbranding.

De volgende tabel biedt informatie over het recyclen en hanteren van het product.

Recyclebare onderdelen	Materiaal
Staal	Staal kan worden gerecycled door het te smelten en te gebruiken als secundair materiaal bij de productie van nieuw staal.
Kunststof	Gebruik sorteer- en recyclingsystemen voor kunststof wanneer deze lokaal beschikbaar zijn. Het verbranden van kunststof kan in andere gevallen worden gebruikt voor het opwekken van energie die bijvoorbeeld kan worden gebruikt voor cogeneratie.
Elektronica	De elektronische onderdelen moeten afzonderlijk worden ingezameld en worden geretourneerd aan een speciale recyclingdienst.

# Innehåll

Monteringsinstruktion .....	74
Symboler som används i manualen .....	75
Allmän säkerhetsinformation .....	76
Produktetikett .....	77
Avsedd användning .....	79
Användare .....	79
Användningsmiljö .....	79
Användningsinstruktioner .....	80
Armstöd (tillval) .....	81
Rengöring .....	82
Borttagning av kalkbeläggningar .....	82
Underhåll .....	83
Underhållsinspektion .....	83
Teknisk information .....	85
Åtgärda fel .....	86
Kassering och återvinning .....	86

## Monteringsinstruktion

sv



En monteringsinstruktion medföljer den här produkten. Den går även att ladda ned på [www.pressalit.com](http://www.pressalit.com).

# Symboler som används i manualen

Följande symboler används i manualen samt i övrig dokumentation som medföljer produkten.



**VARNING** indikerar en potentiellt farlig situation som kan orsaka dödsfall eller allvarlig skada om den inte undviks.



**VAR FÖRSIKTIG** indikerar en potentiellt farlig situation som kan orsaka mindre eller måttlig skada om den inte undviks. Kan också användas för att varna för osäker hantering.



**VIKTIGT** indikerar viktig information om hantering och användning av produkten.



**OBS** används för att informera om hantering som inte är relaterad till personlig säkerhet.



Varning för handskada



Varning för huvudskada



Varning för fotskada



Elektricitet eller potentiellt skadlig spänning



Kompatibla produkter

## Allmän säkerhetsinformation



### **VARNING**

- Se till att du har läst och förstått manualen fullständigt innan du använder produkten. Förvara manualen nära produkten.
- Följ anvisningarna i manualen för att undvika olyckor som kan orsaka allvarliga personskador.
- Använd aldrig produkten på något annat sätt än vad som beskrivs i den här manualen eftersom du då riskerar att skada både dig själv och produkten.
- Se till att alla personer som ska installera eller använda produkten och de tillhörande systemen har fått den information som behövs samt att de har tillgång till manualen.



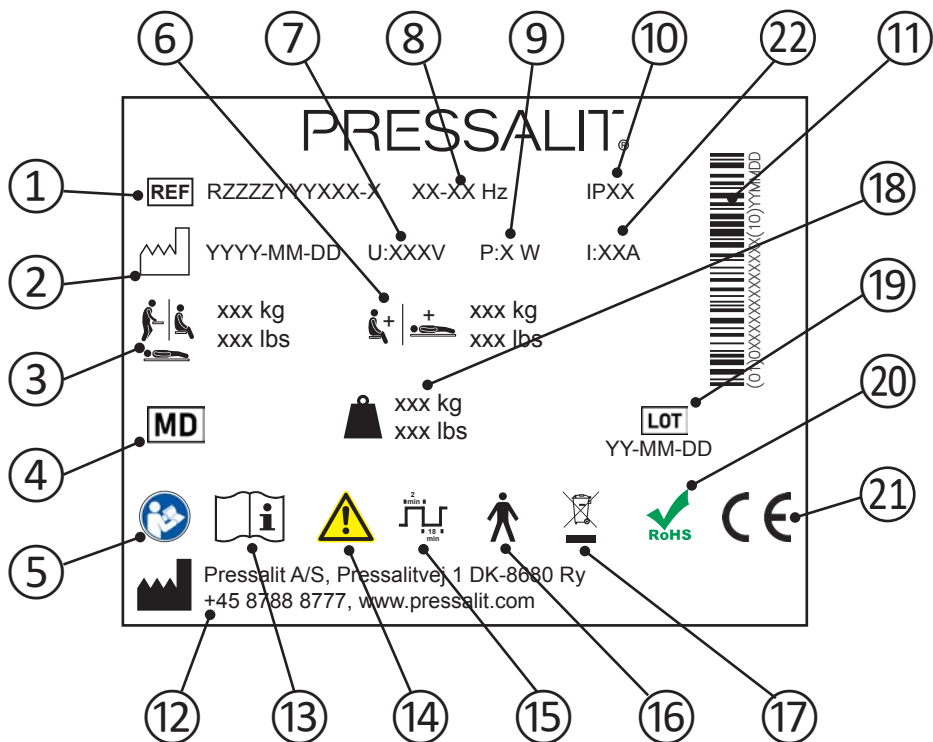
### **VAR FÖRSIKTIG**

- Följ anvisningarna för att undvika att produkten skadas eller förstörs.
- Försök inte reparera, demontera, montera eller göra tillägg till produkten eller ändra den på något sätt. Sådana åtgärder får endast utföras av Pressalit eller av personer som fått behörighet av Pressalit.
- Låt aldrig barn använda produkten ensamma. Den är inte avsedd för lek.
- Använd aldrig produkten om den är trasig eller skadad. Vänta med att använda en defekt produkt tills den har reparerats.

### **OBS**

- Informationen i den här manualen är baserad på att produkten är korrekt monterad enligt våra anvisningar.
- Pressalit tar inget ansvar för eventuella fel som uppstår om produkten används på något annat sätt än vad som beskrivs i manualen.
- Vi förbehåller oss rätten att göra ändringar i manualen utan att meddela detta i förväg.

# Produktetikett



- ① Artikelnummer

---

- ② Tillverkningsdatum

---

- ③ Användarens maxvikt

---

- ④ Medicinsk utrustning

---

- ⑤ Läs manualen för att få anvisningar om användning.

---

- ⑥ Max. belastning

---

- ⑦ Nätpänning

---

- ⑧ Frekvens

---

- ⑨ Maximal energiförbrukning

sv

- 
- ⑩ IP-klass
- 
- ⑪ Streckkod GS1-128
- 
- ⑫ Tillverkarens namn och adress.
- 
- ⑬ Läs manualen för att få anvisningar om användning.
- 
- ⑭ Läs manualen för att få veta innebörden i viktig säkerhetsinformation som varningar och försiktighetsåtgärder.
- 
- ⑮ Arbetscykel
- 
- ⑯ Typ B-del. En del av produkten kommer att komma i fysisk kontakt med patienten vid normal användning. Produkten uppfyller kraven i IEC 60601-1 och är därmed skyddad mot elektriska stötar.
- 
- ⑰ Produkten får inte kasseras som vanligt hushållsavfall. Avfallssortera de olika delarna och lämna in dem för återvinning på därför avsedd plats.
- 
- ⑱ Produktvikt
- 
- ⑲ Batchkod
- 
- ⑳ Produkten innehåller inga av de farliga ämnen som är angivna i RoHS-direktivet 2011/65/EG.
- 
- Dessa produkter är CE-märkta i enlighet med relevanta krav i:
- Förordning (EU) 2017/745 (från den 5. april 2017) om medicintekniska produkter.
  - Maskindirektivet 2006/42/EEG (från den 17 maj 2006).
  - RoHS-direktivet 2011/65/EU (från den 8. juni 2011).
- En försäkran om överensstämmelse finns på [www.pressalit.com](http://www.pressalit.com).
- 
- ㉑ Elektrisk ström

Placering av produktetiketten ①.



## Avsedd användning

Den här produkten är avsedd att ge optimala ergonomiska förutsättningar för att använda en toalett, för både sittande och stående användare med funktionsnedsättning.

## Användare

Produkten kan användas av alla – vuxna, barn, unga och gamla.

## Användningsmiljö

För användning inomhus i våtrumsmiljö, till exempel ett badrum. Produkten är avsedd för användning i rumstemperatur i privata hem, på vårdhem och sjukhus under normala arbetsförhållanden.



**VAR FÖRSIKTIG**

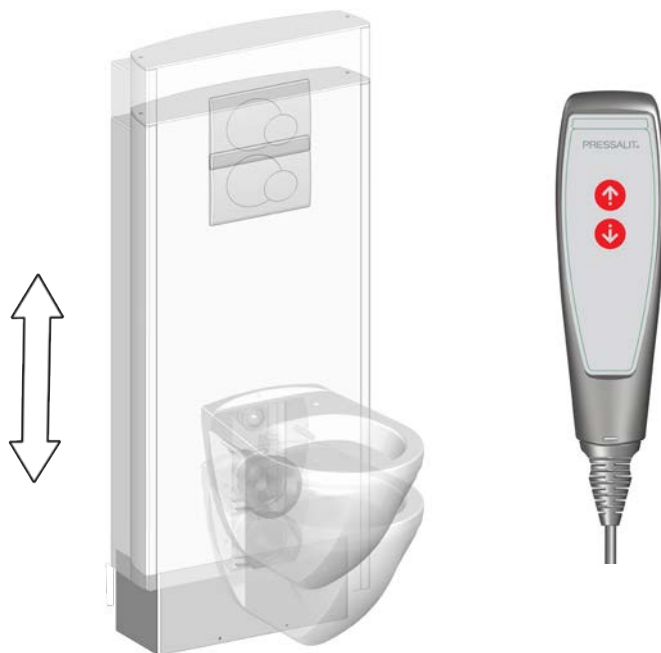
Ytan på den här produkten kan bli mycket varm eller kall om den utsätts för värme eller kyla från externa källor (t.ex. solsken eller frost).

**OBS**

Alla allvarliga tillbud som har inträffat i samband med produkten bör rapporteras till tillverkaren och den behöriga myndigheten.

SV

# Användningsinstruktioner



Toalettupphänget kan justeras 400 mm/15¾" uppåt och nedåt.

**Användarens maxvikt: 200 kg**

**Max. belastning: 235 kg**

Höjjusteringen utförs via en trådbunden manöverdosa.

Tryck på upp-knappen och håll ned den för att höja enheten och tryck på ned-knappen och håll ned den för att sänka enheten. Höjningen/sänkningen stoppas när du släpper knappen.

sv



**Se till att du inte skadar händerna, fötterna eller huvudet när du är i närheten av rörliga mekaniska delar.**



**VAR FÖRSIKTIG**

Placera aldrig föremål under toaletten.



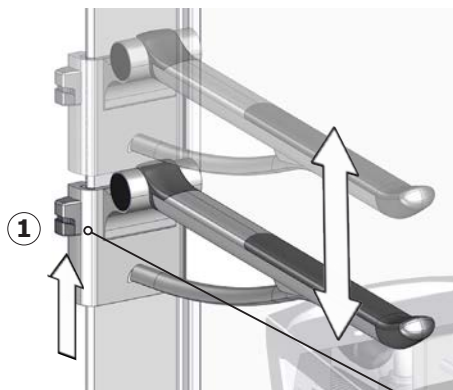
## Armstöd (tillval)



Toalettupphäng modell R8312, R8322, R8332 och R8342 kan utrustas med armstöd.

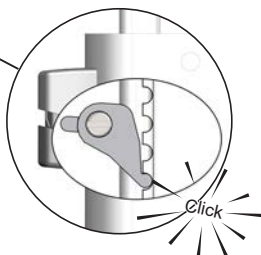
Armstöden kan fällas uppåt och nedåt. Fäll upp dem när de inte används.

Armstöden kan även justeras 240 mm/8 $\frac{7}{16}$ " i höjddled. Om du vill justera uppåt trycker du armstödet uppåt.



Om du vill justera armstödet nedåt trycker du på låsknappen ① och håller den intryckt samtidigt som du trycker armstödet lite uppåt. Därefter flyttar du armstödet nedåt. Släpp låsknappen för att låsa armstödet i önskad position.

Kontrollera sedan att den utskjutande delen på låsknappen hakar fast i fästet.



## Rengöring

Produkten ska rengöras med varmt vatten eller ett mild tvålbaserat rengöringsmedel.

På [www.pressalit.com](http://www.pressalit.com) finns en lista över lämpliga rengöringsmedel som har testats av Pressalit.



### **VAR FÖRSIKTIG**

Läs alltid materialsäkerhetsdatabladet (MSDS) och de medföljande anvisningarna till det aktuella rengörings-, desinficerings- eller avkalkningsmedlet avseende säker användning, spädning, sköljning, torkning, hantering och förvaring.

### **VIKTIGT**

- Använd inte en autoklav eller någon annan typ av ångtvätt för rengöring.
- Undvik aggressiva rengöringsmedel som innehåller syror.
- Spruta aldrig med högtryckstvätt direkt på produkten.
- Undvik användning av slipande, korrosiva eller klorbaserade rengörings- eller desinficeringsprodukter.

## Borttagning av kalkbeläggningar

För att ta bort kalkbeläggningar på aluminiumdelar torkar du med en blandning av 3 delar 30-procentig vanlig vinäger och 7 delar vatten. Torka därefter igen med en trasa som är blött med rent vatten.

I länder där kalkhalten i ledningsvattnet är hög kan det vara nödvändigt att ta bort kalkbeläggningar från aluminiumdelar med ett avkalkningsmedel, t.ex. ättiksyra. Testa först medlet på en yta som inte syns när produkten används.

# Underhåll

Den förväntade användningstiden för toalettupphänget är 10 år, förutsatt att underhåll utförs en gång årligen enligt beskrivningen nedan.

## Underhållsinspektion



Höj toaletten till sin högsta position.



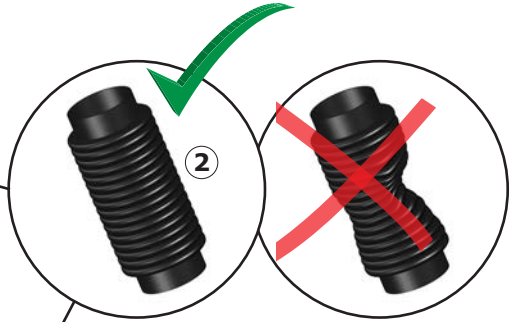
**Koppla från  
anslutningen till  
elnätet innan du tar  
bort höljet.**

Ta bort den nedre höljesplattan ①  
(kan klickas loss).

SV

Stick in handen under fronthöljet och koppla bort nätkontakten ① från manöverdosan inuti chassit.

Kontrollera att den flexibla utloppsslangen ② kan röra sig fritt när toaletten är höjddjusterad. Det flexibla utloppet måste vara symmetriskt i utsträckt form.

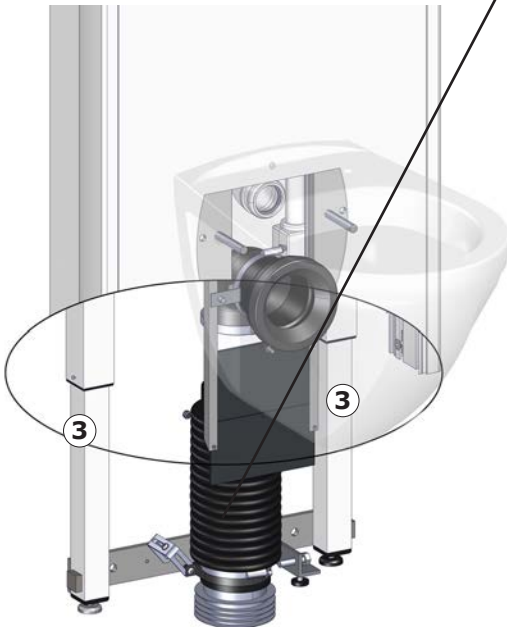


Smörj de invändiga kvadratiske rören ③ på alla 4 sidor så långt det går att nå.

Anslut nätkontakten igen.

Sänk toaletten till sin lägsta position och kör den sedan till sin högsta position igen för att smörjmedlet ska fördelas jämnt.

Sätt tillbaka den nedre höljesplattan.



## Teknisk information

Användarens maxvikt	200 kg	
Max. belastning	235 kg	
Produktvikt	R8212, R8222 R8232, R8242	54,7 kg
	R8312, R8322 R8332, R8342	60,7 kg

## Åtgärda fel

Symptom	Orsak	Åtgärd
Knapparna fungerar inte.	Fel på strömförsörjningen.	Kontrollera att alla kablar och kontakter är oskadade och anslutna på rätt sätt.
Det går hackigt när produkten flyttas uppåt och nedåt.	Glidskenorna behöver smörjas.	Smörj in glidskenorna enligt anvisningarna i "Underhåll".

Kontakta Pressalit A/S eller din återförsäljare om du inte kan åtgärda problemet. Försök inte reparera produkten själv eftersom det gör att garantin upphör att gälla.

## Kassering och återvinning

Produkten innehåller material som går att återvinna. Det finns inga kända risker förknippade med kassering av produkten. Alla komponenter kan kasseras efter att de har rengjorts och desinficerats.

Vid kassering av produkten rekommenderar vi att den demonteras och att de olika delarna avfallssorteras för återvinning eller förbränning.

I följande tabell finns information om återvinning och hantering av produkten.

Komponenter som kan återvinnas	Material
Stål	Stål kan återvinnas genom att smältas ned och inkluderas som ett sekundärt material vid tillverkning av nytt stål.
Plast	Sortera som plastavfall.
Elektronik	De elektroniska komponenterna ska samlas in och sorteras som elektriskt avfall.

# Innholdsfortegnelse

Monteringsanvisning .....	87
Symboler brukt i denne brukerhåndboken .....	88
Generell sikkerhet .....	89
Produktetikett .....	90
Tiltenkt bruk .....	92
Krav til operatører .....	92
Krav til omgivelsene ved bruk .....	92
Bruksanvisning .....	93
Toalettstøtter (valgfritt) .....	94
Rengjøring .....	95
Slik fjerner du kalkavleiringer .....	95
Vedlikehold .....	96
Vedlikeholdskontroll .....	96
Tekniske data .....	98
Feilsøking .....	99
Kassering og gjenvinning .....	99

## Monteringsanvisning



En monteringsanvisning er inkludert med dette produktet. Den kan også lastes ned fra [www.pressalit.com](http://www.pressalit.com).

no

# Symboler brukt i denne brukerhåndboken

De følgende symbolene brukes i denne brukerhåndboken og i den tilhørende dokumentasjonen som følger med produktet.



**ADVARSEL** indikerer en potensiell farlig situasjon som, hvis den ikke unngås, kan føre til død eller alvorlig personskade.



**FORSIKTIG** angir en potensielt farlig situasjon som, hvis den ikke unngås, kan føre til mindre eller moderate personskader. Det kan også brukes for å advare mot feilaktig bruk.



**VIKTIG** angir viktig informasjon om korrekt håndtering og bruk av produktet.



**MERKNAD** indikerer forhold som ikke er relatert til personlig sikkerhet.



Advarsel om håndskade



Advarsel om hodeskade



Advarsel om fotskade



Elektrisitet eller potensielt farlig spenning



Kompatible produkter



## Generell sikkerhet

### **ADVARSEL**

- Les og forstå brukerhåndboken fullstendig før bruk. Oppbevar brukerhåndboken nær enheten.
- Følg instruksjonene i denne brukerhåndboken for å unngå ulykker som kan føre til alvorlig personskade.
- Dette produktet skal aldri brukes eller håndteres på andre måter enn som beskrevet i denne brukerhåndboken. Dette kan redusere sikkerheten for deg og føre til skade på produktet.
- Sørg for at alle som skal montere eller bruke produktet og systemene, har all nødvendig informasjon og tilgang til denne brukerhåndboken.

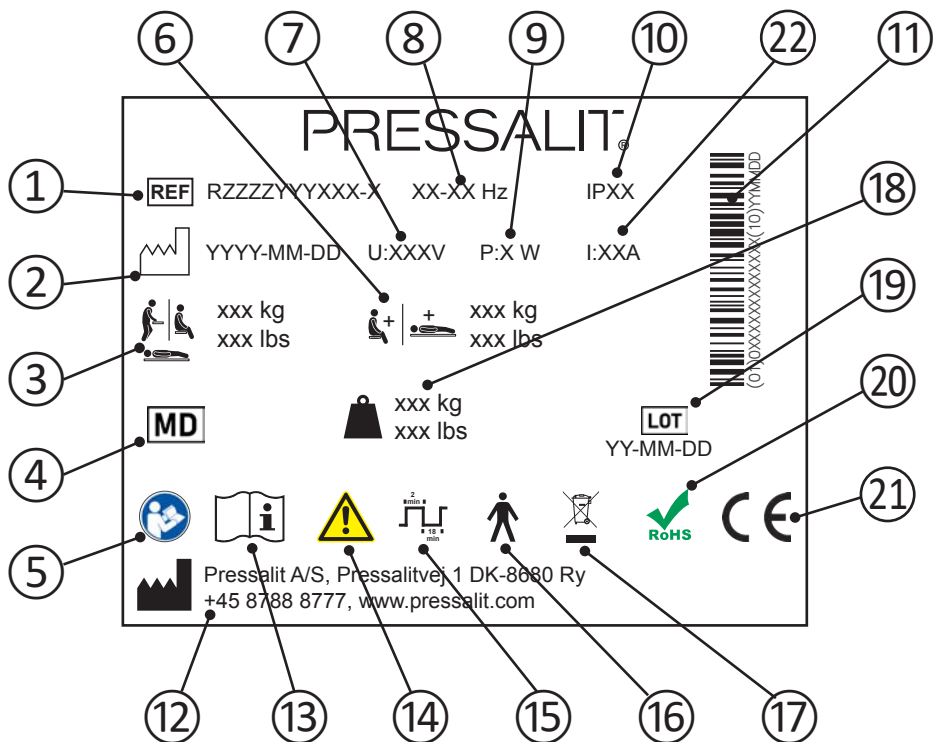
### **FORSIKTIG**

- Følg disse instruksjonene for å unngå at produktet skades eller ødelegges.
- Ikke utfør reparasjoner, demonterings- eller monteringsoperasjoner, utvidelser, justeringer eller modifikasjoner på dette produktet. Dette skal kun utføres av Pressalit eller personer som er autorisert av Pressalit.
- La aldri barn bruke dette produktet uten tilsyn. Produktet er ikke et leketøy.
- Bruk aldri produktet hvis det er defekt eller skadet. Bruk ikke et defekt produkt før det er blitt reparert.

### **MERKNAD**

- Informasjonen i denne brukerhåndboken forutsetter at produktet er riktig montert i samsvar med våre monteringsinstruksjoner.
- Pressalit kan ikke holdes ansvarlig hvis produktet brukes på annen måte enn som beskrevet i veiledningen.
- Vi forbeholder oss retten til å foreta endringer i denne brukerhåndboken uten varsel.

# Produktetikett



① Artikkelnnummer

② Produksjonsdato

③ Maksimal brukervekt

④ Medisinsk enhet

⑤ Se brukerhåndboken

⑥ Maks. last

⑦ Nettspenning

⑧ Frekvens

⑨ Maksimalt strømforbruk

⑩ IP-klasse

---

⑪ GS1-128-strekkode

---

⑫ Navn og adresse til produsent

---

⑬ Se brukerhåndboken

---

⑭ Se håndboken for viktig sikkerhetsinformasjon som advarsler og forholdsregler

---

⑮ Driftssyklus

---

⑯ Anvendt del Type B. Ved normal bruk vil en del av produktet nødvendigvis komme i fysisk kontakt med pasienten, for at produktets funksjon skal kunne utføres. Produktet overholder kravene i IEC 60601-1 angående beskyttelse mot elektrisk støt.

---

⑰ Skal ikke kastes sammen med usortert husholdningsavfall. Dette produktet skal samles inn separat og returneres til den relevante gjenvinningstjenesten.

---

⑱ Produktvekt

---

⑲ Partikode

---

⑳ Dette produktet inneholder ingen av de farlige substansene som nevnes i rådsdirektiv 2011/65/EF om RoHS.

---

㉑ Disse produktene er CE-merket i samsvar med relevante krav i:  
- Forordning (EU) 2017/745 (av 5. april 2017) om medisinsk utstyr.  
Rådsdirektiv 2006/42/EF (fra 17 mai 2006) om maskiner.  
Rådsdirektiv 2011/65/EF (fra 8 juni 2011) om RoHS.  
Du finner en samsvarserklæring på [www.pressalite.com](http://www.pressalite.com).

---

㉒ Elektrisk strøm

---

Plassering av produktetikett ①.



## Tiltenkt bruk

Dette produktet skal brukes for å oppnå optimal ergonomi ved toalettet, for både sittende og stående brukere med funksjonshemninger.

## Krav til operatører

Produktet kan brukes av alle – voksne, barn, unge og gamle.

## Krav til omgivelsene ved bruk

For bruk innendørs i våtrom, som bad eller vaskerom. Produktet skal brukes ved romtemperatur, i private hjem, på pleiehjem og sykehus under normale driftsforhold.



Produktets overflate kan bli varm og/eller kald hvis den utsettes for eksterne kilder for varme eller kulde (f.eks. sollys eller frost).

**MERKNAD**

Enhver alvorlig hendelse som har oppstått i forbindelse med produktet, bør rapporteres til produsenten og helsemyndighetene.

# Bruksanvisning



Toalettopphenget kan justeres 400 mm opp og ned.

**Maksimal brukervekt: 200 kg**

**Maks. last: 235 kg**

Høydejusteringen kontrolleres med den kablede fjernkontrollenheten.

Trykk på Opp-knappen og hold den inne for å heve enheten, og trykk på Ned-knappen og hold den inne for å senke enheten. Bevegelsen stopper når du slipper knappen.



**Vær forsiktig for å unngå hånd-, fot og hodeskade når du er i nærheten av mekaniske deler i bevegelse.**

no

**! FORSIKTIG**

Plasser aldri gjenstander under toalettet.

## Toalettstøtter (valgfritt)

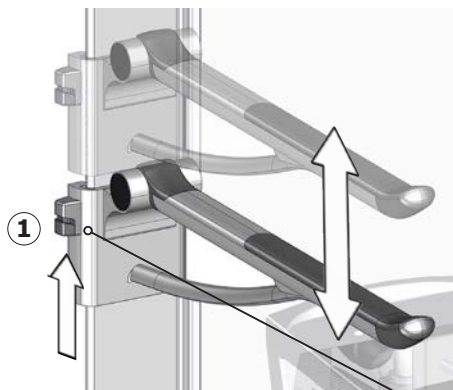


Toalettopphengmodell R8312, R8322, R8332 og R8342 kan utstyres med toalettstøtter.

Toalettstøttene kan vippes opp eller ned. Vipp dem tilbake når de ikke er i bruk.

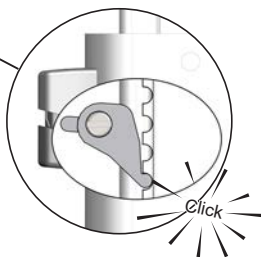
Toalettstøttene kan også justeres 240 mm i høyden.

Dra toalettstøtten oppover for å justere den oppover.



For å justere toalettstøtten nedover, trykk inn låseknappen ① og trekk toalettstøtten litt oppover mens du holder knappen inne. Flytt deretter toalettstøtten nedover. Slipp låseknappen for å låse toalettstøtten.

Pass på at låseknappen aktiveres i sporet.



# Rengjøring

Produktet skal rengjøres med varmt vann eller et mildt rengjøringsmiddel. Du finner en liste over passende rengjøringsmidler testet av Pressalit, på [www.pressalit.com](http://www.pressalit.com).



Les alltid produktdatabladet (MSDS) og instruksjonene som følger med rengjørings-, desinfeksjons- eller kalkfjerningsmiddelet, og følg instruksjonene for sikker bruk, fortynning, skylling, tørking, håndtering og oppbevaring av middelet.

## VIKTIG

- Ikke bruk autoklavering eller annen type damprengjøring.
- Unngå sterke rengjøringsmidler som inneholder syre.
- Spray aldri produktet direkte med en høytrykksspyler.
- Unngå bruk av skurende, korroderende eller klorbaserte rengjørings- eller desinfeksjonsprodukter.

## Slik fjerner du kalkavleiringer

Fjern kalkavleiringer fra aluminiumdeler ved å bruke 3 deler 30 % husholdningseddik til 7 deler vann, og tørk deretter av delene med en klut vridd opp i rent vann.

I land der det er mye kalk i vannet, kan det være nødvendig å fjerne kalkavleiringer fra aluminiumdeler ved å bruke et kalkfjerningsmiddel som eddiksyre. Test dette først på et område som ikke er synlig når produktet er i bruk.

# Vedlikehold

Forventet levetid for toalettopphenget er 10 år, forutsatt at det vedlikeholdes én gang i året som beskrevet nedenfor.

## Vedlikeholdskontroll



Hev toalettet til høyeste posisjon.



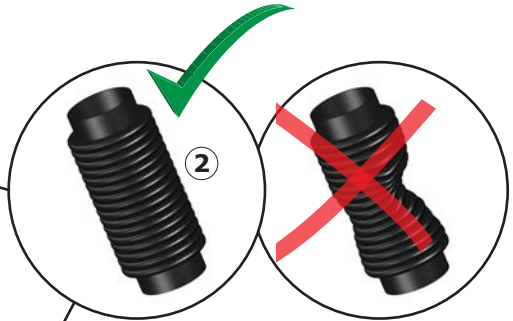
**Koble fra strømmen  
før du fjerner  
dekselet.**

Ta av den nedre dekselplaten ①  
(kan klikkes av).



Stikk hendene inn under frontdekelet for å trekke ut strømledningen ① fra kontrollboksen inne i kabinettet.

Kontroller at den fleksible utløpsslangen ② kan bevegges fritt når toalettet er høydejustert. Det fleksible utløpet må være symmetrisk når det er strukket ut.

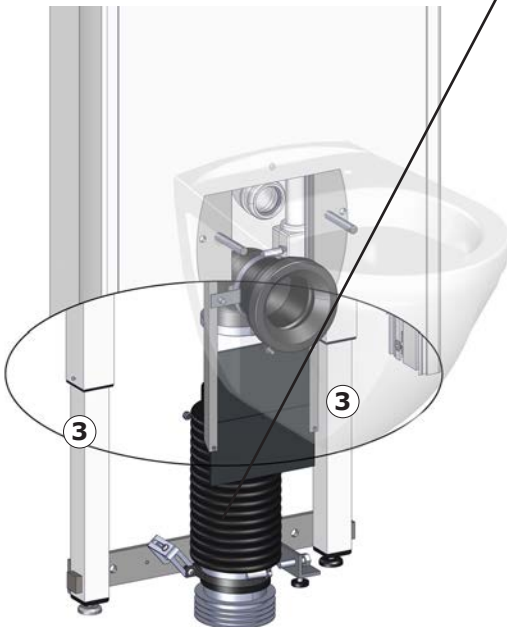


Smør de indre firkanttrørene ③ på alle fire sider, så langt du når.

Koble til strømledningen igjen.

Senk toalettet til laveste posisjon, og hev det deretter til øverste posisjon for å fordele smøremiddelet.

Fest den nedre dekselplaten igjen.



# Tekniske data

Maksimal brukervekt	200 kg	
Maks. last	235 kg	
Produktvekt	R8212, R8222 R8232, R8242	54,7 kg
	R8312, R8322 R8332, R8342	60,7 kg

## Feilsøking

Symptom	Årsak	Tiltak
Betjeningsknappene fungerer ikke.	Feil på strøm-forsyningen.	Sjekk at alle ledninger og plugg er intakte og riktig tilkoblet.
Produktet heves og senkes ujevnt.	Glidebrakettene er ikke tilstrekkelig smurt.	Smør glidebrakettene som beskrevet i "Vedlikehold".

Kontakt Pressalit A/S eller den lokale forhandleren hvis problemet vedvarer. Ikke prøv å reparere produktet selv, da dette vil gjøre garantien ugyldig.

## Kassering og gjenvinning

Enheten inneholder materiale som kan gjenvinnes. Det er ingen kjente farer eller risikoer forbundet med avhending av produktet. Alle komponenter kan kasseres når de er blitt rengjort og desinfisert.

Når produktet avhendes, anbefaler vi at det demonteres og sorteres i ulike avfallsgrupper for gjenvinning eller forbrenning.

Den følgende tabellen gir informasjon om gjenvinning og håndtering av produktet.

Komponenter som kan gjenvinnes	Materiale
Stål	Stål kan gjenvinnes ved at det smeltes ned og inkluderes som et sekundærmateriale ved produksjon av nytt stål.
Plast	Bruk plastsorterings- og -gjenvinningssystemer hvis slike finnes tilgjengelig lokalt. Hvis ikke kan plasten brennes, noe som genererer ny energi som for eksempel kan brukes ved kombinert varme- og kraftproduksjon.
Elektronikk	De elektroniske komponentene skal samles inn separat og returneres til den relevante gjenvinningstjenesten.

# Contenido

Instrucciones de montaje.....	100
Símbolos utilizados en este manual .....	101
Seguridad general .....	102
Etiqueta del producto .....	103
Uso previsto .....	105
Perfil de operador previsto .....	105
Entorno de funcionamiento.....	105
Instrucciones de funcionamiento .....	106
Brazos de soporte (opcional).....	107
Limpieza .....	108
Para eliminar los restos de cal .....	108
Mantenimiento .....	109
Inspección de mantenimiento .....	109
Datos técnicos .....	111
Solución de problemas.....	112
Eliminación y reciclaje .....	112

## Instrucciones de montaje



Este producto incluye instrucciones de montaje. Si lo prefiere, puede descargarlas desde [www.pressalit.com](http://www.pressalit.com).

# Símbolos utilizados en este manual

Los símbolos siguientes se utilizan en el presente manual y en la documentación complementaria suministrada con el producto.

## **ADVERTENCIA**

**ADVERTENCIA** indica una posible situación de peligro que, de no evitarse, podría provocar la muerte o lesiones graves.

## **ATENCIÓN**

**ATENCIÓN** indica una posible situación de peligro que, de no evitarse, podría provocar lesiones leves o moderadas. También puede utilizarse para advertir de prácticas inseguras.

## **IMPORTANTE**

**IMPORTANTE** indica información importante sobre la manipulación y la utilización del producto.

## **AVISO**

**AVISO** se utiliza para hacer referencia a prácticas no relacionadas con la seguridad personal.



Advertencia de posibles lesiones en las manos



Advertencia de posibles lesiones en la cabeza



Advertencia de posibles lesiones en los pies



Tensiones y corrientes eléctricas potencialmente peligrosas



Productos compatibles

## Seguridad general



### ADVERTENCIA

- Lea todo el manual y asegúrese de entenderlo antes de cualquier uso. Mantenga el manual cerca de la unidad.
- Siga las indicaciones del manual para evitar accidentes que podrían ocasionar daños personales graves.
- No utilice ni manipule nunca el producto de forma distinta a como se especifica en el manual, ya que podría resultar peligroso y provocar daños en el producto.
- Asegúrese de que las personas que vayan a instalar o utilizar el producto y sus sistemas pueden acceder a este manual y disponen de la información necesaria.



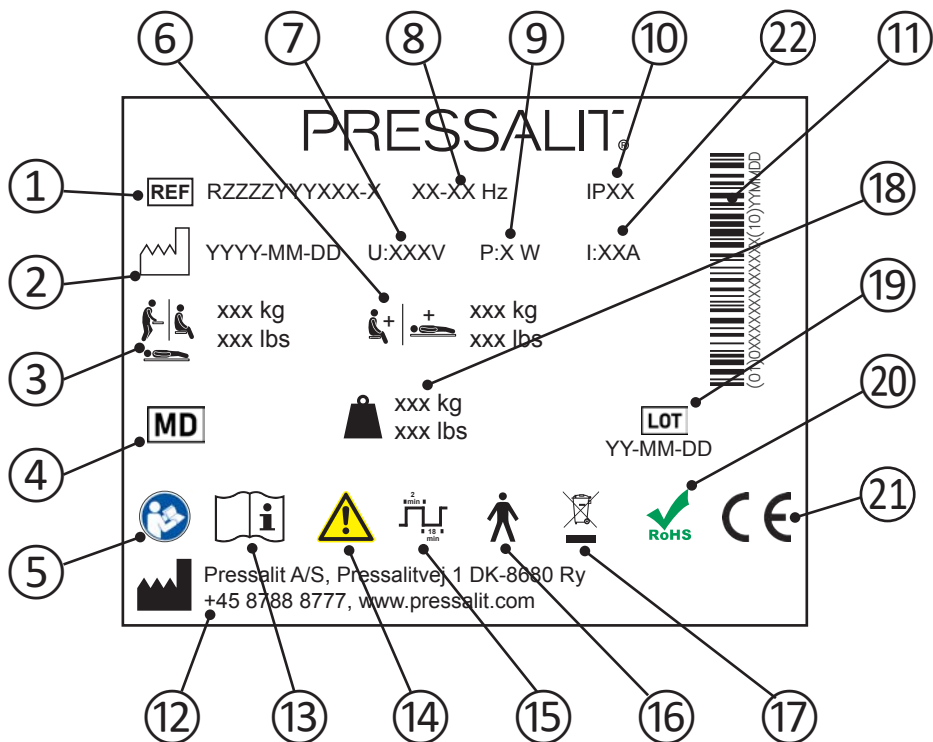
### ATENCIÓN

- Siga estas instrucciones para evitar dañar o destruir el producto.
- No lleve a cabo reparaciones ni operaciones de montaje y desmontaje, no instale extensiones ni reajuste o modifique el producto. Todas estas operaciones deben ser realizadas solamente por Pressalit o personas autorizadas por Pressalit.
- No deje nunca que los niños manipulen el producto sin supervisión. El producto no ha sido diseñado para el juego.
- No utilice nunca el producto si está defectuoso o dañado. No utilice nunca un producto defectuoso hasta que haya sido reparado.

### AVISO

- La información contenida en este manual se basa en el ajuste correcto del producto según nuestras instrucciones de montaje.
- Pressalit no se hace responsable de la utilización del producto de manera diferente a la descrita en la guía.
- Nos reservamos el derecho de modificar este manual sin previo aviso.

# Etiqueta del producto



- ① Número de artículo

---

- ② Fecha de fabricación

---

- ③ Peso máximo del usuario

---

- ④ Producto sanitario

---

- ⑤ Consulte el manual de uso

---

- ⑥ Carga máxima

---

- ⑦ Voltaje

---

- ⑧ Frecuencia

---

- ⑨ Consumo máximo de energía

⑩ Clase IP

---

⑪ Código de barras GS1-128

---

⑫ Nombre y dirección del fabricante

---

⑬ Consulte el manual de uso

---

⑭ Consulte el manual para conocer la información de precaución importante como las advertencias y las precauciones.

---

⑮ Ciclo de trabajo

---

⑯ Pieza aplicada de tipo B. Parte del producto entra en contacto físico con el paciente durante su uso normal. El producto cumple los requisitos de la normativa IEC 60601-1 para garantizar la protección frente a descargas eléctricas.

---

⑰ No deseche el producto como residuo urbano no seleccionado. El producto debería recogerse por separado y ser trasladado al centro de reciclaje designado.

---

⑱ Indicación de peso

---

⑲ Código de lote

---

⑳ Este producto no contiene sustancias peligrosas mencionadas en la Directiva 2011/65/CE del Consejo sobre RoHS.

---

Estos productos tienen la marca CE de acuerdo con los requisitos relevantes en:

- Reglamento (UE) 2017/745 (de 5 de abril de 2017) sobre los productos sanitarios.

㉑ - La Directiva 2006/42/CE (del 17 de mayo de 2006) sobre maquinaria.

- La Directiva 2011/65/CE (del 8 de junio de 2011) sobre RoHS.

Puede encontrar la declaración de conformidad en [www.pressalit.com](http://www.pressalit.com).

---

㉒ Corriente eléctrica



Ubicación de la etiqueta del producto ①.



## Uso previsto

Este producto está diseñado para proporcionar una ergonomía óptima en el inodoro para todos los usuarios con discapacidades, ya sea sentados o de pie.

## Perfil de operador previsto

El producto está destinado para todos los públicos: adultos, niños, jóvenes y ancianos.

## Entorno de funcionamiento

Para uso en interiores de ambientes húmedos tales como baños o zonas de aseo. El producto está diseñado para ser utilizado a temperatura ambiente en casas privadas, centros de cuidado para personas mayores y hospitales en condiciones de trabajo normales..



La superficie del producto puede estar caliente y/o fría si se expone a fuentes de calor o frío externas (p. ej., luz solar o escarcha).

**AVISO**

Cualquier incidente grave relacionado con el producto debe comunicarse al fabricante y a la autoridad competente.

es

# Instrucciones de funcionamiento



El elevador del inodoro permite una regulación en altura de 400 mm.

**Peso máx. del usuario: 200 kg**

**Carga máxima: 235 kg**

El ajuste de la altura se controla remotamente con una unidad de control remota con cable.

Pulse y mantenga pulsado el botón de subida para subir la unidad o el botón de bajada para bajarla. El movimiento se detiene al soltar el botón.



**Extreme la precaución para evitar lesiones en las manos, los pies y la cabeza alrededor de las piezas mecánicas en movimiento.**

 **ATENCIÓN**

No coloque nunca objetos debajo del inodoro.

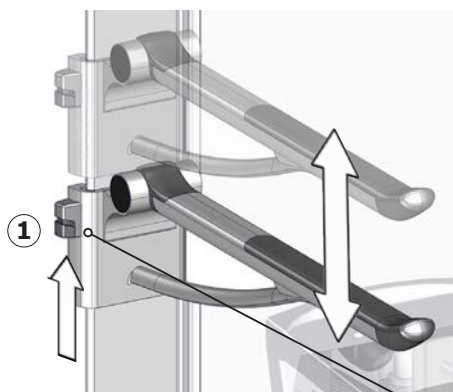
## Brazos de soporte (opcional)



Los modelos de elevador del inodoro R8312, R8322, R8332 y R8342 se pueden equipar con brazos de soporte.

Los brazos de soporte pueden plegarse y desplegarse. Pliéguelos cuando no los utilice.

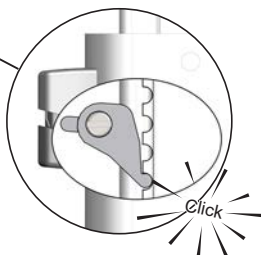
Los brazos de soporte permiten una regulación en altura de 240 mm.



Para subirlo, tire del brazo de soporte hacia arriba.

Para bajar el brazo de soporte, presione el botón de bloqueo ① y suba un poco el brazo de soporte mientras presiona el botón. A continuación, deslice hacia abajo el brazo de soporte. Suelte el botón de bloqueo para fijar el brazo de soporte en su sitio.

Asegúrese de que el cierre del botón de bloqueo queda encajado en la muesca.



es

# Limpieza

Limpie el producto con agua caliente o con un agente de limpieza jabonoso suave.

Encontrará una lista de agentes limpiadores probados por Pressalit en [www.pressalit.com](http://www.pressalit.com).

## **ATENCIÓN**

Lea siempre las hojas de datos de seguridad (MSDS) y las instrucciones suministradas de limpieza, desinfección o del agente descalcificador y siga las instrucciones de uso seguro, dilución, aclarado, secado, manipulación y almacenamiento del agente.

## **IMPORTANTE**

- No utilice sistemas de autoclave ni ningún otro tipo de limpieza a vapor.
- Evite los agentes limpiadores agresivos que contengan ácidos.
- Nunca pulverice el producto directamente con limpiadores de alta presión.
- Evite el uso de productos de limpieza o desinfectantes abrasivos, corrosivos o que contengan cloro.

## Para eliminar los restos de cal

Para eliminar las marcas de cal de los componentes de aluminio, utilice una solución de 3 partes de vinagre de cocina al 30 % y 7 partes de agua y luego seque los componentes con un paño bien escurrido en agua limpia.

En países con unos niveles relativamente altos de cal en el suministro de agua, puede ser necesario eliminar los depósitos de cal de las piezas de aluminio mediante agentes descalcificadores como el ácido acético. Pruebe primero en una zona no visible mientras utiliza el producto.

es

# Mantenimiento

La vida útil esperada del elevador del inodoro es de 10 años, siempre y cuando se realice su mantenimiento una vez al año tal y como se describe a continuación.

## Inspección de mantenimiento



Eleve el inodoro hasta la posición más alta.

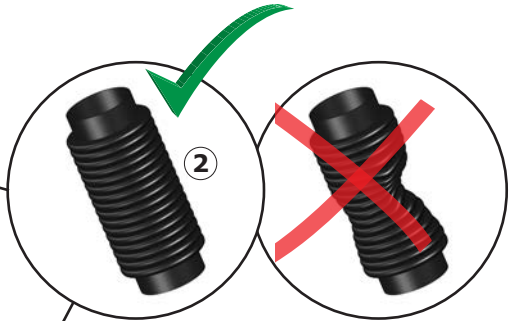


**Desconecte la electricidad antes de retirar la cubierta.**

Retire la cubierta inferior ① (haga clic para extraerla).

Para desconectar el enchufe de alimentación de red ①, acceda por debajo de la cubierta frontal a la caja de control situada en el interior del armario.

Asegúrese de que el tubo flexible de salida ② pueda deslizarse libremente una vez ajustada la altura del inodoro. El tubo flexible de salida debe quedar simétrico al estirarlo.

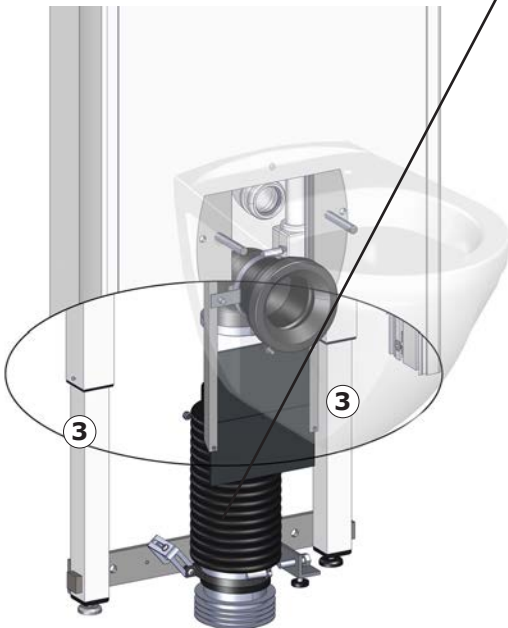


Lubrique los tubos cuadrados internos ③ por los 4 lados hasta donde pueda llegar.

Vuelva a conectar el enchufe de alimentación de red.

Coloque el inodoro en la posición más baja y luego vuélvalo a elevar hasta la posición más alta para distribuir el lubricante.

Vuelva a colocar la cubierta inferior.



## Datos técnicos

Peso máx. del usuario	200 kg	
Carga máxima	235 kg	
Indicación de peso	R8212, R8222 R8232, R8242	54,7 kg
	R8312, R8322 R8332, R8342	60,7 kg

## Solución de problemas

Síntoma	Causa	Acción
Los botones operativos no funcionan.	Error del suministro de corriente.	Compruebe que todos los cables y enchufes estén en buen estado y conectados correctamente.
El producto sube y baja de forma irregular.	Los soportes deslizables no están bien lubricados.	Lubrique los soportes deslizables como se describe en el apartado "Mantenimiento".

Póngase en contacto con Pressalit A/S o su distribuidor local si no logra solucionar el problema. No intente reparar el producto usted mismo, ya que anularía la garantía.

## Eliminación y reciclaje

La unidad contiene materiales reutilizables. No se conocen peligros o riesgos relacionados con la eliminación del producto. Todos los componentes pueden ser desechados una vez limpiados y desinfectados.

Para eliminar el producto, se recomienda desmontarlo y separar sus piezas en diferentes grupos de residuos para su reciclaje o combustión.

En la siguiente tabla encontrará información sobre el reciclaje y la gestión del producto.

Componentes reciclables	Material
Acero	El acero puede reciclarse mediante fundición e incluirse en un material secundario para la producción de acero nuevo.
Plásticos	Utilice los sistemas de clasificación y reciclaje disponibles localmente; si no los hubiera, la incineración de plástico tiene el beneficio añadido de generar energía, que puede utilizarse para la producción combinada de calor y energía.
Componentes electrónicos	Los componentes electrónicos deberían recogerse por separado y ser trasladados al centro de reciclaje designado.



# Spis treści

Instrukcja montażu .....	113
Symbole używane w niniejszej instrukcji .....	114
Ogólne wskazówki bezpieczeństwa .....	115
Etykieta wyrobu .....	116
Użytkowanie zgodne z przeznaczeniem .....	118
Profil użytkownika .....	118
Środowisko użytkowania .....	118
Instrukcja obsługi .....	119
Podpory (opcja) .....	120
Czyszczenie .....	121
Usuwanie kamienia .....	121
Konserwacja .....	122
Przegląd konserwacyjny .....	122
Dane techniczne .....	124
Rozwiązywanie problemów .....	125
Utylizacja i recykling .....	125

## Instrukcja montażu



Instrukcję montażu dołączono do wyrobu. Można ją również pobrać ze strony [www.pressalit.com](http://www.pressalit.com).

# Symbole używane w niniejszej instrukcji

W niniejszej instrukcji oraz w dokumentacji dostarczonej z wyrobem użyto następujących symboli.

## **OSTRZEŻENIE**

**OSTRZEŻENIE** wskazuje na sytuację potencjalnie niebezpieczną, dopuszczenie do której może skutkować śmiercią lub poważnymi obrażeniami.

## **UWAGA**

**UWAGA** wskazuje na sytuację potencjalnie niebezpieczną, dopuszczenie do której może skutkować niewielkimi lub umiarkowanymi obrażeniami. Powyższe może również służyć jako ostrzeżenie przed niebezpiecznymi praktykami.

## **WAŻNE**

**WAŻNE** wskazuje na istotną informację dotyczącą postępowania z wyrobem lub jego użytkowania.

## **INFORMACJA**

**INFORMACJA** dotyczy praktyk niezwiązanych z bezpieczeństwem ludzi.



Ostrzeżenie przed obrażeniami dłoni



Ostrzeżenie przed obrażeniami głowy



Ostrzeżenie przed obrażeniami stóp



Energia elektryczna lub potencjalnie niebezpieczne napięcie



Kompatybilne produkty

# Ogólne wskazówki bezpieczeństwa



## **OSTRZEŻENIE**

- Przed użyciem wyrobu przeczytaj i zapoznaj się z instrukcją. Instrukcję przechowuj w pobliżu wyrobu.
- Przestrzegaj niniejszej instrukcji, aby uniknąć wypadków prowadzących do poważnych obrażeń.
- Nigdy nie używaj wyrobu do celów lub w sposób niezgodny z niniejszą instrukcją, ponieważ zagraża to Twojemu bezpieczeństwu i grozi uszkodzeniem wyrobu.
- Upewnij się, że wszystkie osoby montujące lub używające tego wyrobu i jego systemów posiadają niezbędne informacje oraz dostęp do niniejszej instrukcji.



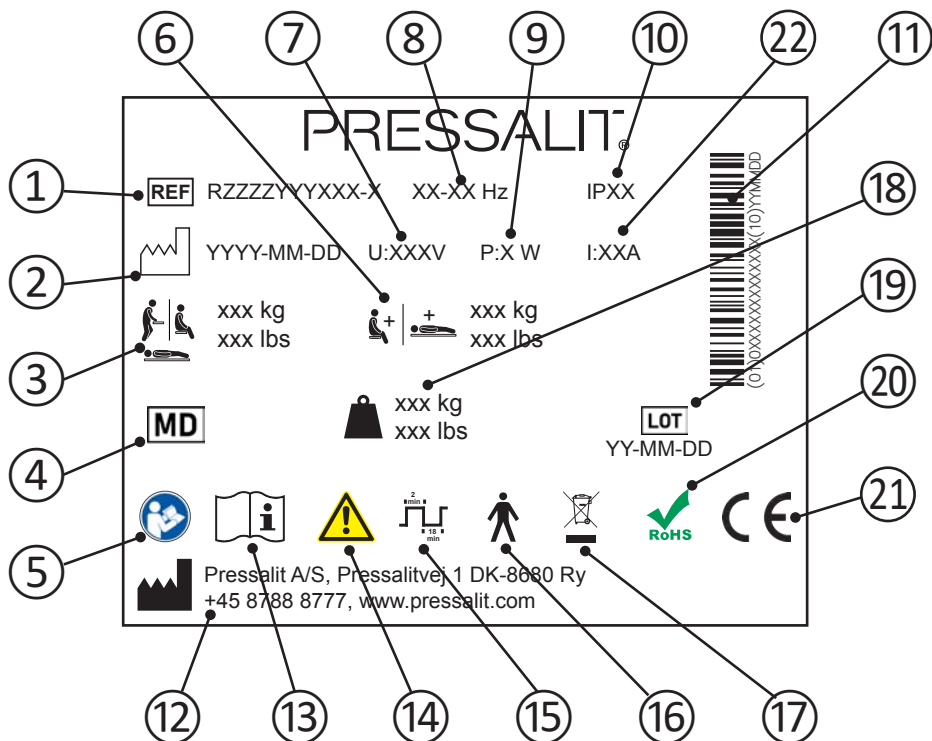
## **UWAGA**

- Przestrzegaj niniejszej instrukcji, aby uniknąć uszkodzenia lub zniszczenia wyrobu.
- Nie dokonuj samodzielnych napraw, demontażu lub montażu, rozbudowy, regulacji lub modyfikacji wyrobu. Czynności takie mogą być przeprowadzane wyłącznie przez firmę Pressalit lub upoważniony przez nią personel.
- Nigdy nie pozwalaj dzieciom obsługiwać tego wyrobu bez nadzoru. Ten wyrób nie jest zabawką.
- Nigdy nie używaj wadliwego lub uszkodzonego wyrobu. Nie używaj uszkodzonego wyrobu przed jego naprawą.

## **INFORMACJA**

- Informacje zawarte w niniejszej instrukcji zakładają właściwe mocowanie wyrobu zgodnie z instrukcją montażu.
- Pressalit nie ponosi odpowiedzialności w sytuacji, gdy wyrób jest użytkowany w jakikolwiek sposób odbiegający od przedstawionego w niniejszej instrukcji.
- Zastrzegamy sobie prawo do zmian niniejszej instrukcji bez wcześniejszego powiadomienia.

# Etykieta wyrobu



① Numer artykułu

② Data produkcji

③ Maksymalna waga użytkownika

④ Urządzenie medyczne

⑤ Zapoznaj się z instrukcją obsługi

⑥ Maksymalne obciążenie

⑦ Napięcie sieciowe

⑧ Częstotliwość

⑨ Maksymalny pobór mocy

10 Klasa IP

---

11 Kod kreskowy GS1-128

---

12 Nazwa i adres producenta

---

13 Zapoznaj się z instrukcją obsługi

---

14 Zapoznaj się z instrukcją obsługi, aby zapamiętać ważne informacje dotyczące bezpieczeństwa i środków ostrożności

---

15 Cykl pracy

---

16 Część typu B. Podczas normalnego użytkowania część produktu musi mieć fizyczny kontakt z pacjentem, aby spełnić swoją funkcję. Produkt spełnia wymagania normy IEC 60601-1 w zakresie ochrony przed porażeniem prądem elektrycznym

---

17 Nie wyrzucać do zmieszanych odpadów komunalnych. Produkt należy zebrać osobno i oddać do odpowiedniego punktu recyklingu.

---

18 Waga produktu

---

19 Kod partii

---

20 Ten produkt nie zawiera żadnych substancji niebezpiecznych wymienionych w dyrektywie Rady 2011/65/UE w sprawie ograniczenia stosowania niektórych niebezpiecznych substancji w sprzęcie elektrycznym i elektronicznym.

---

Produkty te są oznaczone znakiem CE zgodnie z odpowiednimi wymaganiami w:

- Rozporządzenie (UE) 2017/745 (z dnia 5 kwietnia 2017 r) w sprawie wyrobów medycznych.

21 - Dyrektywy Rady 2006/42/WE (z dnia 17 maja 2006 r) w sprawie maszyn.  
- Dyrektywy Rady 2011/65/WE (z dnia 8 czerwca 2011 r) ograniczenia stosowania niektórych niebezpiecznych substancji w sprzęcie elektrycznym i elektronicznym.

Deklarację zgodności można znaleźć na stronie [www.pressalite.com](http://www.pressalite.com).

---

22 Prąd elektryczny

Umieszczenie etykiety wyrobu ①.



## Użytkowanie zgodne z przeznaczeniem

Ten produkt ma na celu zoptymalizowanie ergonomii użytkownika toalety przez użytkowników z niepełnosprawnościami zarówno w pozycji siedzącej, jak i stojącej.

### Profil użytkownika

Produkt może być używany przez wszystkich – dorosłych, dzieci, młodzież i osoby starsze.

### Środowisko użytkowania

Wyrób jest przeznaczony do użytkowania w wilgotnym otoczeniu, takim jak łazienka lub umywalnia. Wyrób jest przeznaczony do eksploatacji w temperaturze pokojowej w gospodarstwach domowych, domach opieki i szpitalach, w normalnych warunkach pracy.

 **UWAGA**

Powierzchnia produktu może stać się gorąca i / lub zimna w przypadku wystawienia na działanie zewnętrzne źródła ciepła lub zimna (np. światło słoneczne lub mróz).

**INFORMACJA**

Każdy poważny incydent związany z wyrobem należy zgłosić producentowi i właściwemu organowi państwa członkowskiego

# Instrukcja obsługi



Toaletę można regulować w górę i w dół o 400 mm.

**Maksymalna masa użytkownika: 200 kg**

**Maksymalne obciążenie: 235 kg**

Regulacją wysokości steruje się za pomocą pilota przewodowego.

Naciśnij i przytrzymaj przycisk „Up”, aby podnieść toaletę. Naciśnij i przytrzymaj przycisk „Down”, aby ją opuścić. Po zwolnieniu przycisku ruch zostanie zatrzymany.



Aby uniknąć obrażeń rąk, stóp i głowy, zachowaj ostrożność w pobliżu ruchomych części.



**UWAGA**

Nigdy nie umieszczaj przedmiotów pod toaletą.

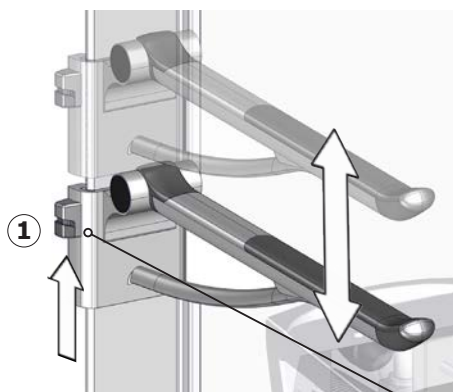
## Podpory (opcja)



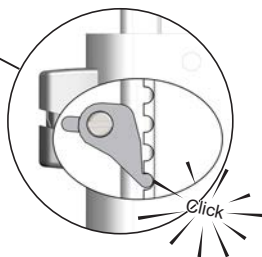
Podnośniki toalety modele R8312, R8322, R8332 i R8342 można wyposażyć w podnośniki.

Podpory można składać w górę i w dół. Nieużywane podpory należy złożyć w górę.

Wysokość podpór można również regulować w zakresie 240 mm. Aby przesunąć podporę do góry, pociągnij ją w górę.



Aby przesunąć podporę w dół, wciśnij przycisk blokady ① i pociągnij ją odrobinę w górę, przytrzymując przycisk. Następnie przesunij podporę w dół. Zwolnij przycisk blokady, aby zablokować podporę w danym położeniu.



Upewnij się, że sworzень blokady jest osadzony w rowku.



## Czyszczenie

Wyrób należy czyścić gorącą wodą lub łagodnym środkiem czyszczącym na bazie mydła.

Listę odpowiednich środków czyszczących przetestowanych przez Pressalit można znaleźć [www.pressalit.com](http://www.pressalit.com).



### UWAGA

Zawsze należy najpierw zapoznać się z kartą charakterystyki materiału oraz instrukcjami dołączonymi do środka czyszczącego, dezynfekującego lub odkamieniającego oraz postępować zgodnie z instrukcjami bezpiecznego stosowania, rozcieńczania, spłukiwania, suszenia, obchodzenia się ze środkiem i jego przechowywania.

### WAŻNE

- Nie wolno używać autoklawów lub innych rodzajów czyszczenia parowego.
- Należy unikać stosowania zbyt silnych środków czyszczących zawierających kwasy.
- Nie wolno bezpośrednio spryskiwać wyrobu środkiem czyszczącym pod ciśnieniem.
- Należy unikać stosowania ściernych, żrących lub wyprodukowanych na bazie chloru środków czyszczących i dezynfekujących.

## Usuwanie kamienia

Aby usunąć kamień z elementów aluminiowych, należy użyć roztworu octu spożywczego o stężeniu 30%, w proporcji 3 części octu na 7 części wody, a następnie przetrzeć elementy zamoczoną w czystej wodzie i wyżętą ściereczką.

Jeżeli lokalnie dostarczana woda jest twarda, konieczne może okazać się usuwanie kamienia z elementów aluminiowych za pomocą odkamieniaczy, takich jak kwas octowy. W takim przypadku należy najpierw przeprowadzić próbę na niewidocznych powierzchniach czyszczonych elementów.

# Konserwacja

Przewidywany okres eksploatacji podnośnika toalety wynosi 10 lat pod warunkiem przeprowadzania konserwacji raz w roku w opisany poniżej sposób.

## Przegląd konserwacyjny



Ustaw toaletę w najwyższym położeniu.

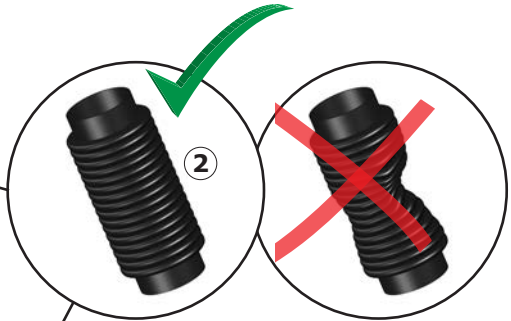


**Przed zdjęciem pokrywy należy odłączyć zasilanie sieciowe.**

Zdejmij dolną pokrywę ① (można ją odczepić).

Sięgnij pod górną pokrywę, aby odłączyć wtyczkę zasilania ⑥ od skrzynki sterowniczej w szafce.

Upewnij się, że wylotowy wąż elastyczny ② porusza się swobodnie podczas regulacji wysokości toalety. Wylot elastyczny musi być położony symetrycznie po rozciągnięciu.

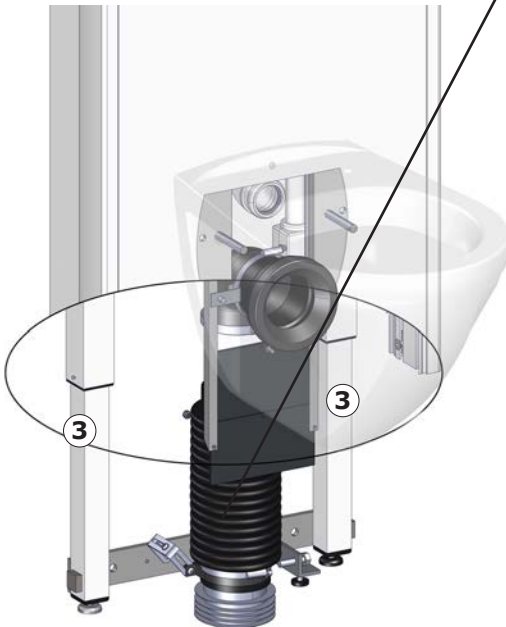


Nasmaruj wszystkie 4 boki wewnętrznych rur czworokątnych ③ najdalej jak można dosięgnąć.

Podłącz wtyczkę zasilania.

Opuść toaletę do samego dołu, a następnie podnieś ją do samej góry, żeby rozprowadzić środek smary.

Załóż z powrotem dolną pokrywę.



## Dane techniczne

Maksymalna masa użytkownika	200 kg	
Maksymalne obciążenie	235 kg	
Waga produktu	R8212, R8222 R8232, R8242	54,7 kg
	R8312, R8322 R8332, R8342	60,7 kg

# Rozwiązywanie problemów

Objaw	Przyczyna	Działanie
Przyciski sterujące nie działają.	Awaria zasilania.	Sprawdź, czy wszystkie przewody i wtyczki są nieuszkodzone i prawidłowo podłączone.
Urządzenie nierównomiernie przesuwają się w górę i w dół.	Prowadnice nie są odpowiednio nasmarowane.	Nasmaruj prowadnice zgodnie z opisem z sekcji „Konserwacja”.

Jeśli problemu nie można rozwiązać, należy skontaktować się z firmą Pressalit A/S lub swoim lokalnym dystrybutorem. Nie próbuj naprawiać urządzenia samodzielnie, ponieważ spowoduje to unieważnienie gwarancji.

## Utylizacja i recykling

Wyrób zawiera materiały, które można poddawać recyklingowi. Nie istnieją znane zagrożenia lub ryzyka związane z usuwaniem wyrobu. Wszystkie komponenty można utylizować po ich uprzednim wyczyszczeniu i zdezynfekowaniu.

W przypadku usuwania wyrobu zalecamy rozmontowanie go i podzielenie odpadów na grupy do recyklingu lub spalania.

Poniższa tabela zawiera informacje dotyczące recyklingu i postępowania z wyrobem.

Komponenty, które można poddać recyklingowi	Material
Stal	Stal może zostać poddana recyklingowi poprzez ponowne przetopienie i włączenie jej jako materiału wtórnego do produkcji nowej stali.
Tworzywa sztuczne	Należy stosować systemy sortowania i recyklingu tworzyw sztucznych tam, gdzie jest to lokalnie możliwe, w innym przypadku spalanie tworzyw sztucznych niesie dodatkową korzyść w postaci energii, którą można wykorzystać na przykład do skojarzonego wytwarzania energii elektrycznej i ciepła.
Elektronika	Elementy elektroniczne należy zbierać osobno i oddawać do wyznaczonego punktu recyklingu.

# 目录

安装说明.....	126
本手册使用的标志.....	127
一般安全要求.....	128
产品标签.....	129
用途.....	131
操作员说明.....	131
工作环境.....	131
操作说明.....	132
支撑臂（选配）.....	133
清洁.....	134
清除水垢.....	134
维护.....	135
维护检查.....	135
技术参数.....	137
故障排解.....	138
处理与回收.....	138

## 安装说明



本产品随附安装说明，也可从 [www.pressalit.com](http://www.pressalit.com) 下载。

# 本手册使用的标志

本手册和本产品随附的相关文件使用以下标志。



**警告**提醒使用者注意潜在危险状况，如果未能避开这种状况，可能导致人员死亡或严重伤害。



**小心**提醒使用者注意潜在危险状况，如果未能避开这种状况，可能导致轻度或中度伤害。该标志也可用于提醒不安全行为。



**重要信息**提醒使用者注意操作和使用本产品的重要信息。



**注意**用于提醒与人身安全无关的行为。



手部受伤警告



头部受伤警告



脚部受伤警告



电流或潜在危险电压



兼容产品

# 一般安全要求

## 警告

- 使用前，请通读并理解本手册。将手册存放在设备附近。
- 按照本手册操作，避免发生造成严重人身伤害的意外。
- 使用或操作本产品时，切勿采用本手册并未介绍的其他方式，因为这会危及您的安全并损坏产品。
- 确保安装或使用本产品及其系统的人员均掌握必要信息并可查阅本手册。

## 小心

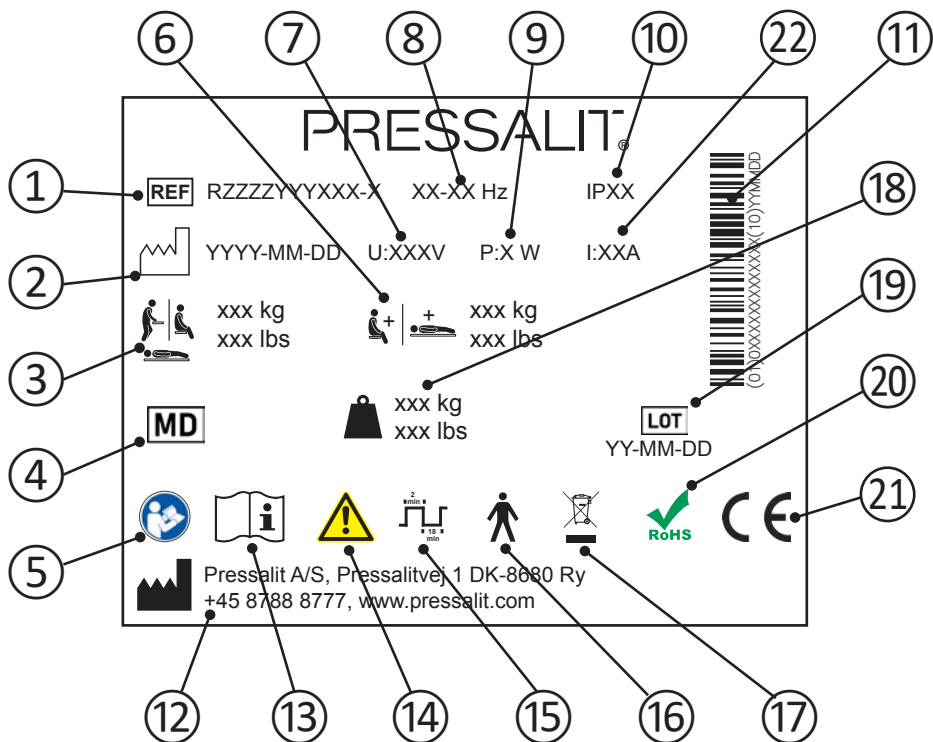
- 请遵守相关说明，避免产品受损或损毁。
- 切勿维修、拆卸或组装、扩展、重新调整或改装本产品。这些操作必须由 Pressalit 或 Pressalit 授权的人士执行。
- 若无人看管，请不要让儿童操作本产品。本产品不适用于娱乐游戏。
- 产品如有缺陷或损坏，切勿使用。缺陷产品待修理后方可使用。

## 注意

- 本手册资料以按照组装说明正确安装本产品为基础。
- 如果以指南所述以外的方法使用本产品，Pressalit 概不负责。
- 我们保留修订本手册的权利，恕不另行通知。



# 产品标签



① 货号

② 生产日期

③ 最大使用者体重

④ 医疗器械

⑤ 请参考使用手册

⑥ 最大荷载

⑦ 电源电压

⑧ 频率

⑨ 最大功耗

⑩ IP 等级

---

⑪ GS1-128 条形码

---

⑫ 生产商名称和地址

---

⑬ 请参考使用手册

---

⑭ 请查阅手册，了解警告和注意事项等重要警示信息

---

⑮ 占空比

---

⑯ B 类应用部件。产品部件在正常使用时需要与患者有身体接触，方可执行其功能。本产品符合 IEC 60601-1 要求，有防电击保护功能

---

⑰ 请勿按未分类生活垃圾处理。本产品应被单独收集，然后送至指定的回收服务点。

---

⑱ 产品重量

---

⑲ 批次代码

---

⑳ 本产品不含欧盟 RoHS 指令 2011/65/EC 规定的任何有害物质。

---

㉑ 本产品根据欧洲医疗器械指令 93/42/EEC (包括修订指令 2007/47/EEC) 加贴 CE 标志。如需符合性声明，请访问 [www.pressalit.com](http://www.pressalit.com)。

---

㉒ 电流

---

产品标签位置 ①。



## 用途

本产品提供最符合人体工程学的坐便器，适合坐立和站立不便的残障用户使用。

## 操作员说明

本产品可供所有人（成人、儿童、年青人和老人）使用。

## 工作环境

在室内潮湿环境中使用，如浴室或盥洗室。本产品在室温下使用，可在私人住所、疗养院和医院的正常工作条件下使用。



如果产品暴露的外部环境过热或者过冷（例如阳光或者霜冻下），产品表面可能会变得灼热/或冰冷。

# 操作说明



坐便器升降装置可以上下调节 400 毫米。

**最大使用者体重：200 公斤**

**最大荷载：235 公斤**

高度调整由有线遥控装置控制。

按住“向上”按钮升高装置，按住“向下”按钮降低装置。在松开按钮时停止移动。



**小心不要将手脚和头部放在活动机械部件附近，以免受伤。**

**⚠ 小心**

切勿在坐便器下放置任何物品。

## 支撑臂 (选配)

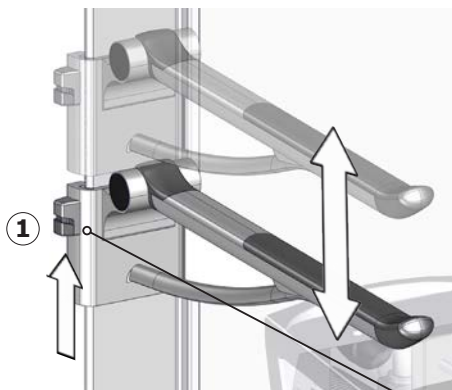


坐便器升降装置型号 R8312、R8322、R8332 和 R8342 可以配备支撑臂。

支撑臂可展开或收起。在不用时，向上折回。

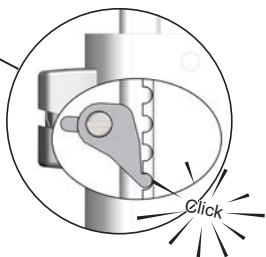
支撑臂的高度也可以调节 240 毫米。要向上调整，请向上拉起支撑臂。

要向下调整支撑臂，请按压锁定按钮



①，保持按压并略微向上拉动支撑臂。然后向下移动支撑臂。松开锁定按钮来固定支撑臂。

确保锁定按钮栓啮合进凹槽。



# 清洁

应使用热水或温和的肥皂清洁剂来清洁本产品。  
可在 [www.pressalit.com](http://www.pressalit.com) 网站查看经 Pressalit 测试的相关清洁剂列表。



务必阅读材料安全数据表 (MSDS) 和随附的清洁、消毒或除垢剂说明，并按照说明安全使用、稀释、冲洗、干燥、处理和储存溶剂。

## 重要信息

- 切勿使用高压灭菌器或其他类型的蒸汽清洁器。
- 避免使用含酸的强力清洁剂。
- 切勿使用高压清洁器直接喷洗本产品。
- 避免使用磨蚀性、腐蚀性或氯化物型的清洁或消毒产品。

## 清除水垢

如需清除铝部件上的水垢，可用 3 份 30% 的家庭食用醋配 7 份水进行清洁，然后用干净的湿布擦拭部件。

在水中石灰量相对较高的国家/地区，可能需要使用醋酸等除垢剂清除铝部件中的水垢沉淀物。如果本产品已投入使用，可先在隐蔽部位进行测试。

# 维护

若按下述说明每年维护一次，坐便器升降装置的预计使用年限为 10 年。

## 维护检查



将坐便器升至最高点。



在取下盖子之前，断开电源插头。

取下下方盖板 ①（可轻按取下）。

将手伸到前盖下，从箱子内控制盒  
拔下电源插头 ①。

调整坐便器高度时，确保出口软管  
② 可以灵活移动。  
在伸长时，出口软管必须整齐均  
称。

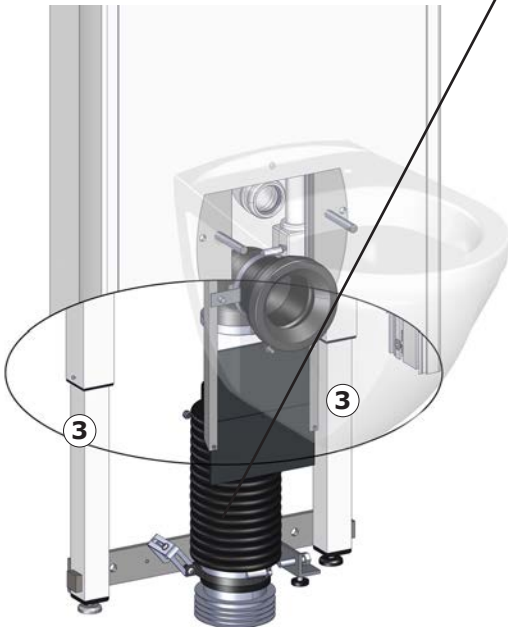


在可以够到的最大范围内，润滑所  
有四个边的内部方管 ③。

重新连接电源插头。

将坐便器降至最低点，然后，再  
将其升至最高点，使润滑剂涂抹  
均匀。

装回下方盖板。





# 技术参数

最大使用者体重	200 公斤	
最大荷载	235 公斤	
产品重量	R8212、R8222 R8232、R8242	54.7 公斤
	R8312、R8322 R8332、R8342	60.7 公斤

# 故障排解

现象	原因	操作
操作按钮不起作用。	电源故障。	检查所有电线和插座是否完好无损且正确连接。
产品升降时不稳。	滑轨润滑不足。	按“维护”中的描述润滑滑轨。

如果仍无法解决问题，请联系 Pressalit A/S 或您当地的经销商。切勿尝试自行维修产品，因为这会导致保修失效。

# 处理与回收

装置中含有可重复使用的材料。处理产品并不存在已知危险或风险。所有组件在清洁和消毒后方可丢弃。

处理产品时，建议按照不同的垃圾种类将产品进行拆卸和分解，再回收或烧毁。

下表提供关于回收和处理产品的资料。

可回收组件	材料
钢	钢可在熔化后循环再用，并用作新钢生产的二次材料。
塑料	如果当地有塑料分类回收系统，应妥善使用。如果没有，焚烧塑料也具有产生能源的额外优点，例如可用于热电联产等用途。
电子组件	电子组件应单独收集，然后送至指定的回收服务点。

## المحتوى

139.	إرشادات التركيب
140.	الرموز المستخدمة في هذا الدليل
141.	السلامة العامة
142.	ملصق تعريف المنتج
144.	الغرض من الاستخدام
144.	مواصفات المشغل المعني
144.	بيئة التشغيل
145.	إرشادات التشغيل
146.	ذراعا الدعم (اختياري)
147.	التنظيف
147.	لإزالة الترسبات الجيرية
148.	الصيانة
148.	فحص الصيانة
150.	البيانات الفنية
151.	استكشاف المشكلات وإصلاحها
151.	التخلص من المنتج وإعادة تدويره

## إرشادات التركيب

إرشادات التركيب مرفقة مع المنتج. كما يمكن تنزيلها من [www.pressalit.com](http://www.pressalit.com).



## الرموز المستخدمة في هذا الدليل

تُستخدم الرموز التالية في هذا الدليل وكذلك في الوثائق ذات الصلة المرفقة مع المنتج.

**تحذير** 

يشير الرمز **تحذير** إلى موقف ينطوي على خطورة محتملة وقد يؤدي إلى الوفاة أو التعرض لإصابة خطيرة في حالة عدم تلافيه.

**تنبيه** 

يشير الرمز **تنبيه** إلى موقف ينطوي على خطورة محتملة وقد يؤدي إلى التعرض لإصابة طفيفة أو متوسطة في حالة عدم تلافيه. قد يُستخدم هذا الرمز أيضًا للتحذير من الممارسات غير الآمنة.

**معلومات مهمة**

يشير الرمز **معلومات مهمة** إلى معلومات مهمة بخصوص التعامل مع المنتج واستخدامه.

**ملاحظة**

يُستخدم الرمز **ملاحظة** للإشارة إلى ممارسات غير مرتبطة بالسلامة الشخصية.

تحذير من التعرض لإصابة  
بالرأس



تحذير من التعرض لإصابة باليد



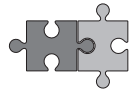
كهرباء أو جهد كهربائي محتمل  
الخطورة



تحذير من التعرض لإصابة  
بالقدمين



منتجات متوافقة



### تحذير !

- احرص على قراءة الدليل بالكامل واستيعابه تمامًا قبل الاستخدام. احتفظ بالدليل في مكان قريب من الوحدة.
- التزم بالإرشادات الواردة في هذا الدليل لتلافي وقوع حوادث قد تؤدي إلى التعرض لإصابة شخصية خطيرة.
- يحظر تمامًا استخدام هذا المنتج أو التعامل معه بطرق أخرى غير تلك المحددة في هذا الدليل، حيث قد يؤدي ذلك إلى تعريض سلامتك الشخصية للخطر وتلف المنتج.
- تأكد من إمام جميع الأشخاص القائمين على تركيب المنتج وأنظمته أو استخدامها بالمعلومات الضرورية ومن إمكانية حصولهم على هذا الدليل.

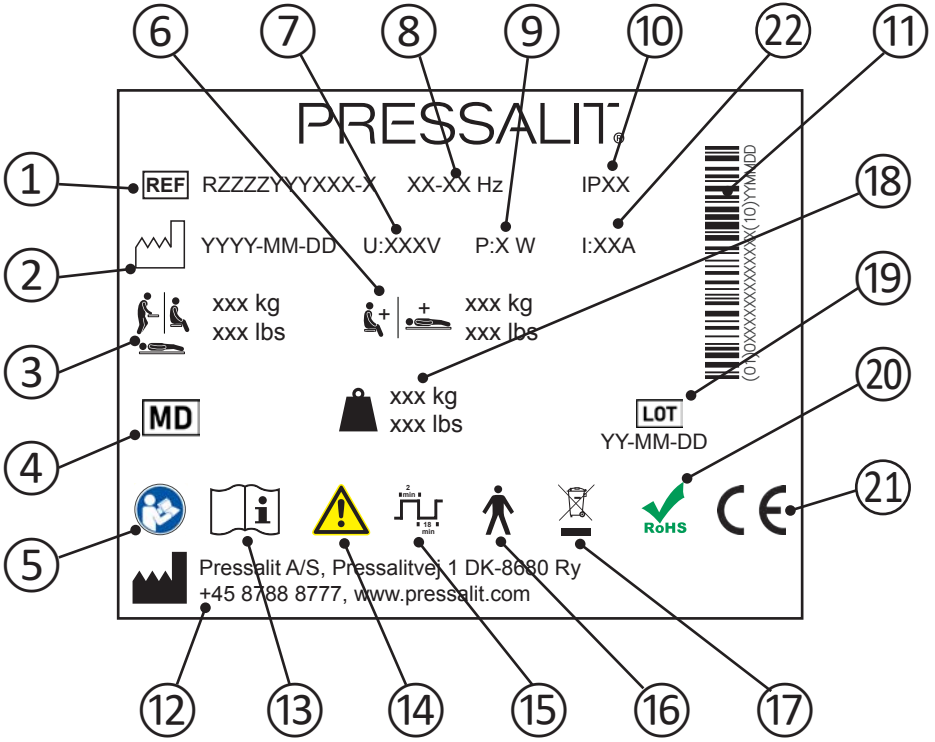
### تنبيه !

- يرجى الالتزام بهذه الإرشادات لتلافي تعرض المنتج للتلف أو التدمير.
- لا تقم بإجراء أي أعمال إصلاح، أو عمليات فك أو تجميع للمكونات، أو توسعات، أو عمليات إعادة ضبط، أو تعديلات بهذا المنتج. يجب عدم إجراء هذه العمليات سوى بمعرفة شركة Pressalit أو الأشخاص المعتمدين من شركة Pressalit.
- يحظر تمامًا السماح للأطفال بتشغيل هذا المنتج دون إشراف. هذا المنتج غير مخصص لأغراض اللعب.
- يحظر تمامًا استخدام المنتج إذا كان معيبًا أو تالفًا. يحظر استخدام المنتج المعيب قبل إجراء أعمال الإصلاح له.

### ملاحظة

- تعتمد المعلومات الموضحة في هذا الدليل على التركيب السليم للمنتج وفقًا لإرشادات التجميع الخاصة بنا.
- لن تتحمل شركة Pressalit أي مسؤولية في حالة استخدام المنتج بأي طريقة تختلف عن تلك الموضحة في الدليل.
- نحتفظ بالحق في تعديل هذا الدليل دون إشعار مسبق.

## ملصق تعريف المنتج



رقم السلعة ①

تاريخ الإنتاج ②

أقصى وزن للمستخدم ③

جهاز طبي ④

راجع دليل الاستخدام ⑤

حمولة العمل الأمانة ⑥

الجهد الكهربائي لمصدر الطاقة الرئيسي ⑦

التردد ⑧

أقصى استهلاك للطاقة ⑨

فئة IP (10)

الرمز الشريطي GS1-128 (11)

اسم الشركة المصنعة وعنوانها (12)

راجع دليل الاستخدام (13)

راجع الدليل للتعرف على معلومات تحذيرية مهمة مثل التحذيرات والتنبيهات (14)

دورة العمل (15)

جزء يلامس المريض من النوع B، جزء من المنتج يلامس المريض بالضرورة بصورة مادية خلال الاستخدام العادي لأداء وظيفته. (16)  
يتوافق المنتج مع متطلبات معايير IEC 60601-1 لتوفير الحماية من الصدمات الكهربائية

لا تتخلص من المنتج باعتباره نفايات محلية غير مصنفة. يجب تجميع المنتج على حدة وإعادته إلى خدمة إعادة التدوير المخصصة. (17)

وزن المنتج (18)

كود المجموعة (19)

لا يحتوي هذه المنتج على أي مواد خطرة مذكورة في توجيه مجلس الاتحاد الأوروبي رقم 2011/65/EC حول الحد من المواد الخطرة. (20)

يحمل هذا المنتج علامة CE وفقاً لتوجيه الأجهزة الطبية الأوروبي رقم 2006/39/EEC، بما في ذلك التعديلات المضمنة في توجيهه رقم 2007/47/EEC. يمكن الاطلاع على إعلان المطابقة على [www.pressalite.com](http://www.pressalite.com) (21)

التيار الكهربائي (22)



## الغرض من الاستخدام

هذا المنتج مُصمم خصيصًا بغرض تقديم الهندسة البشرية الأفضل في مرحاض للمستخدمين من ذوي الإعاقة سواء كانوا في وضعية الوقوف أم الجلوس.

## مواصفات المشغل المعني

يمكن للجميع من البالغين والأطفال والشباب والمسنين استخدام المنتج.

## بيئة التشغيل

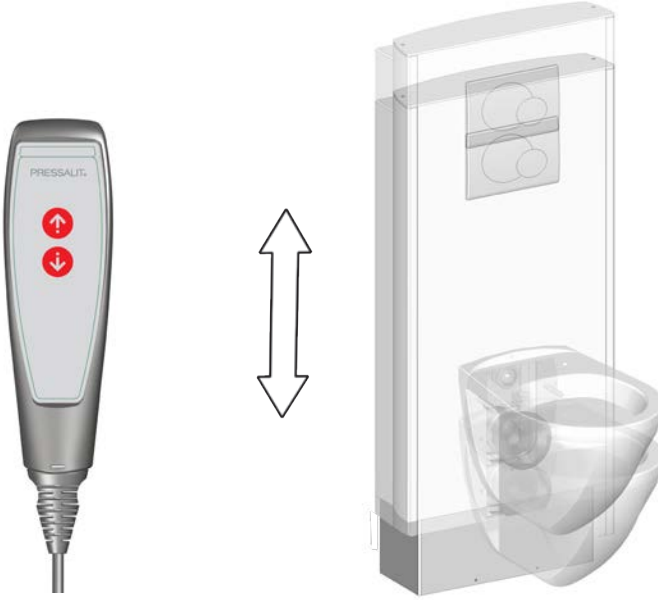
المنتج مصمم للاستخدام في البيئات الداخلية الرطبة، مثل الحمامات أو غرف الاغتسال. والمنتج مُصمم خصيصًا للاستخدام في درجة حرارة الغرفة في المنازل الخاصة ودور الرعاية والتمريض والمستشفيات في ظروف العمل العادية.



قد يصبح سطح المنتج ساخنًا و / أو باردًا إذا تعرض له المصادر الخارجية للحرارة أو البرودة (مثل ضوء الشمس أو الصقيع).



## إرشادات التشغيل



يمكن ضبط رافعة كرسي المراض عند 400 ملم / 15¾" لأعلى ولأسفل.

أقصى وزن للمستخدم 200 كجم  
الحمولة القصوى: 235 كجم

يتم التحكم في ضبط الارتفاع من وحدة التحكم عن بعد الموصلة سلكياً.

اضغط مع الاستمرار على الزر الذي يشير لأعلى لرفع الوحدة، واضغط مع الاستمرار على الزر الذي يشير لأسفل لخفض الوحدة. وعند تحرير الزر، تتوقف الحركة.

توَّخَّ الحذر لتلافي تعرض يديك وقدميك ورأسك للإصابة عند الوقوف على مقربة من القطع الميكانيكية المتحركة.



تنبيه !

تجنب تماماً وضع أشياء أسفل المراض.

## ذراع الدعم (اختياري)

يمكن تزويد أي من رافعات كرسيي المراض من طراز R8312 و R8322 و R8332 و R8342 بذراعي دعم.

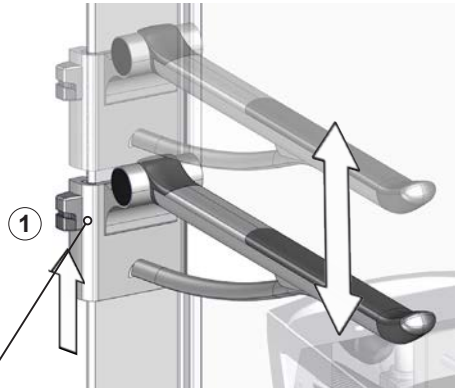
يمكن طي ذراعي الدعم لأعلى ولأسفل. قم بطيها في حالة عدم استخدامهما.

يمكن ضبط ارتفاع ذراعي الدعم عند 240 ملم ارتفاع.

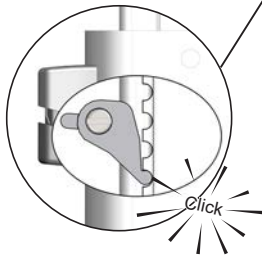


لضبط ذراع الدعم لأعلى، اسحبه إلى أعلى.

لضبط ذراع الدعم لأسفل، اضغط على زر القفل ① واسحب ذراع الدعم إلى أعلى قليلاً مع الضغط على الزر. ثم حرّك ذراع الدعم إلى أسفل. أطلق زر القفل لتثبيت ذراع الدعم في مكانه.



تأكد من أن زر القفل في مكانه الصحيح داخل الحز.



## التنظيف

يجب تنظيف المنتج بماء ساخن ومستحضر تنظيف صابوني معتدل.  
يمكن العثور على قائمة بمستحضرات التنظيف المناسبة والمختبرة بواسطة Pressalit على  
www.pressalit.com.

### تنبيه

احرص دائماً على قراءة ورقة بيانات سلامة المادة (MSDS) والإرشادات المرفقة مع مستحضر التنظيف أو التعقيم أو إزالة القشور والالتزام بإرشادات الاستخدام، والتخفيف، والغسيل، والتجفيف، والتعامل، والتخزين الآمن للمستحضر.

### معلومات مهمة

- تجنب استخدام جهاز تعقيم البخار المضغوط أو أي نوع آخر من أجهزة التنظيف بالبخار.
- تجنب استخدام مستحضرات التنظيف القوية التي تحتوي على أحماض.
- يحظر تماماً توجيه الرذاذ الصادر من منظف بالضغط العالي إلى المنتج مباشرةً.
- تجنب استخدام مستحضرات التنظيف أو التعقيم الكاشطة أو المسببة للتآكل أو التي تحتوي على الكلور.

### إزالة الترسبات الجيرية

لإزالة علامات الترسبات الجيرية المتركمة على الأجزاء المصنوعة من الألومنيوم، اخلط 3 مقادير من الخل المنزلي بتركيز 30% مع 7 مقادير من الماء ثم امسح الأجزاء بعد ذلك بقطعة قماش معصورة في ماء نظيف. في الدول التي تنسم بوجود مستويات مرتفعة نسبياً من الجير في مصدر المياه، قد تلزم إزالة الترسبات الجيرية المتركمة على الأجزاء المصنوعة من الألومنيوم باستخدام مستحضر لإزالة القشور مثل حمض الأسيتيك. ويتعين أن يخضع هذا المستحضر أولاً للاختبار على مساحة غير ظاهرة عند استخدام المنتج.

## الصيانة

يبلغ عمر الخدمة المتوقع لرافعة كرسي المراض 10 أعوام، شريطة إجراء أعمال الصيانة على النحو الموضح أدناه.

### فحص الصيانة

ارفع كرسي المراض إلى أعلى موضع له.

افصل مصدر الطاقة الرئيسي  
قبل رفع الأغطية.

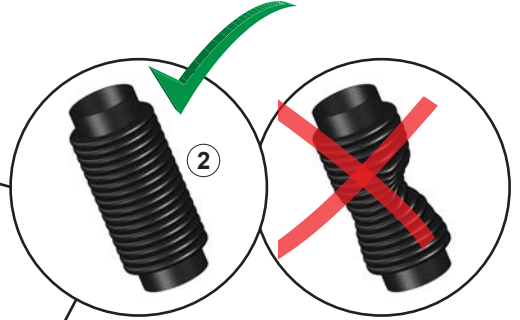


انزع لوحة الغطاء السفلي ① (يمكن الضغط عليه).



مد يدك تحت الغطاء الأمامي لفصل مقبس السلك الرئيسي ① من صندوق التحكم داخل الخزانة.

تأكد من أنه يمكن لخرطوم المنفذ المرن ② الحركة بحرية عندما يتم تعديل ارتفاع المراض.  
يجب أن يكون المنفذ المرن متوافقاً عند التمدد.

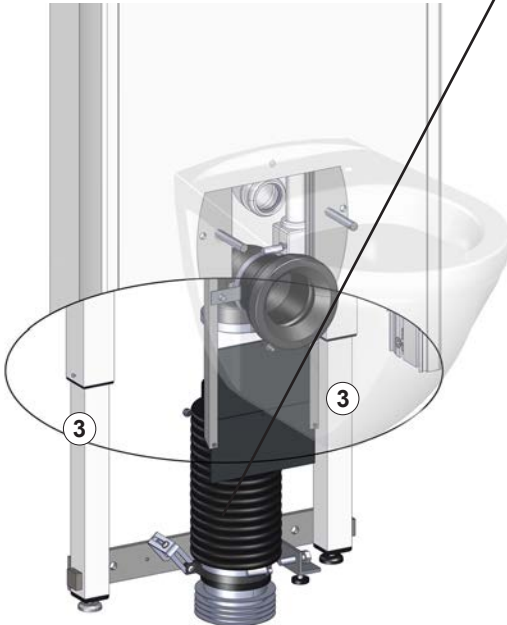


قم بتشحيم الأنابيب المربعة الداخلية بقدر الإمكان ③ من كافة الجوانب.

أعد توصيل مقبس الطاقة الرئيسي.

اسحب كرسي المراض إلى أدنى موضع له، ثم ارفعه مجدداً إلى المستوى العلوي لتوزيع زيت التشحيم.

إعد تركيب لوحة الغطاء السفلي.



## البيانات الفنية

أقصى وزن للمستخدم		200 كجم
الحمولة القصوى		235 كجم
وزن المنتج	R8222 ،R8212 R8242 ،R8232	54,7 كجم
	R8322 ،R8312 R8342 ،R8332	60,7 كجم

## استكشاف المشكلات وإصلاحها

الإجراء	السبب	العرض
تأكد من سلامة جميع الأسلاك والمقابس وتوصيلها بصورة صحيحة.	عطل في مصدر الطاقة.	أزرار التشغيل لا تعمل.
قم بتشحيم الدعامات المنزلقة على النحو الموضح في القسم "الصيانة".	لم يتم تشحيم الزمامات الزلقة بقدر سليم.	المنتج يتحرك لأعلى ولأسفل بشكل غير متساوٍ.

اتصل بشركة Pressalit أو الوكيل الذي تتعامل معه في حالة تعذر إصلاح المشكلة. لا تحاول إصلاح المنتج بنفسك، حيث سيؤدي ذلك إلى إبطال الضمان.

## التخلص من المنتج وإعادة تدويره

تحتوي الوحدة على مواد قابلة لإعادة الاستخدام. لا توجد أخطار أو مخاطر معروفة مرتبطة بالتخلص من المنتج. يمكن التخلص من جميع المكونات بعد تنظيفها وتعقيمها.

عند التخلص من المنتج، نوصي بتفكيك مكوناته وتقسيمها إلى مجموعات مختلفة من النفايات من أجل إعادة تدويرها أو حرقها.

يوفر الجدول التالي معلومات حول إعادة تدوير المنتج والتعامل معه.

المادة	المكونات القابلة لإعادة التدوير
يمكن إعادة تدوير الصلب من خلال صهره وإدخاله كمادة ثانوية في إنتاج صلب جديد.	الصلب
استخدم أنظمة فرز المواد البلاستيكية وإعادة تدويرها في أماكن توفرها محليًا، بخلاف ذلك يتسم حرق البلاستيك بميزة إضافية تتمثل في توليد الطاقة والتي يمكن استخدامها، على سبيل المثال، لإنتاج الحرارة والطاقة بشكل مشترك.	مواد بلاستيكية
يجب تجميع المكونات الإلكترونية على حدة وإعادتها إلى خدمة إعادة التدوير المخصصة.	المكونات الإلكترونية

[www.pressalit.com](http://www.pressalit.com)

- en** Visit our website to find your local dealer and get further information about Pressalit and our solutions for bathrooms and kitchens.
- 
- dk** Besøg vores hjemmeside for at finde din lokale forhandler og få yderligere oplysninger om Pressalit og vores løsninger inden for bad og køkken.
- 
- de** Besuchen Sie unsere Website, und finden Sie einen Händler in Ihrer Nähe, um mehr über Pressalit und unsere Lösungen für Badezimmer und Küchen zu erfahren.
- 
- fr** Rendez-vous sur notre site Internet pour trouver les coordonnées du revendeur le plus proche et obtenir des informations sur Pressalit et nos solutions pour la salle de bains et la cuisine.
- 
- nl** Breng een bezoek aan onze website om te zien waar u onze producten kunt kopen en voor meer informatie over Pressalit en onze oplossingen voor badkamers en keukens.
- 
- sv** Besök vår webbplats för att hitta en lokal återförsäljare och för mer information om Pressalit och våra lösningar för kök och badrum.
- 
- no** Besøk nettstedet vårt for å finne din lokale forhandler og få ytterligere informasjon om Pressalit og løsningene våre for bad og kjøkken.
- 
- es** Visite nuestro sitio Web para localizar su distribuidor local y obtener información adicional sobre Pressalit y nuestras soluciones para cuartos de baño y cocinas.
- 
- pl** Odwied nasz stron www, gdzie znajdziesz lokalnego dystrybutora oraz informacje o Pressalit i naszych rozwiązaniach dla łazienek oraz kuchni.
- 
- 中文** 请访问我们的网站查询您所在地的经销商，以便获得关于Pressalit 以及我们其他浴室和厨房用品更详细的信息资料。
- 
- العربية** قم بزيارة موقع الويب الخاص بنا لمعرفة الوكيل المحلي في منطقتك والحصول على المزيد من المعلومات حول شركة Pressalit وحلول الحمامات والمطابخ التي نقدمها.

